

ER 系列(图片) Type of ER series (pictures)



ER



ERX



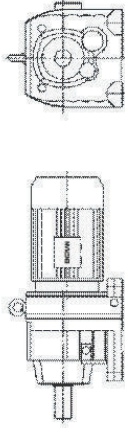
ERF



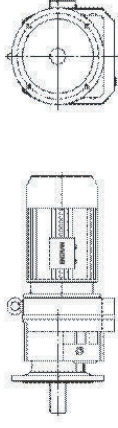
ERXF

结构型式说明 Dimensional Description

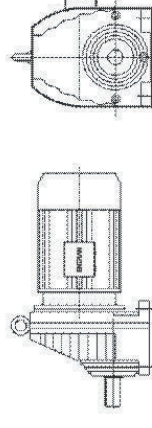
1. ER 型: 底脚安装二级或二级斜齿轮减速电机。
Type ER: Foot mounted units of two or three stages helical gears.



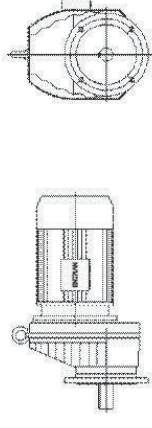
2. ERF 型: 法兰安装二级或二级斜齿轮减速电机。
Type ERF: B5 flange mounted units of two or three stages helical gears.



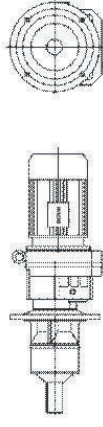
3. ERX 型: 底脚安装单级斜齿轮减速电机。
Type ERX: Foot mounted units of single stage helical gears.



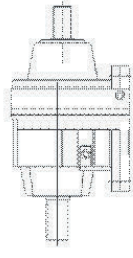
4. ERXF 型: 法兰安装单级斜齿轮减速电机。
Type ERXF: Flange mounted units of single stage helical gears.



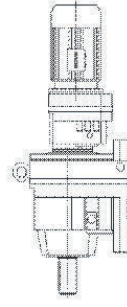
5. ERM 型: 带有加长轴承箱的法兰安装斜齿轮减速电机。
Type ERM: Flange mounted helical geared motor with extended bearing housing.



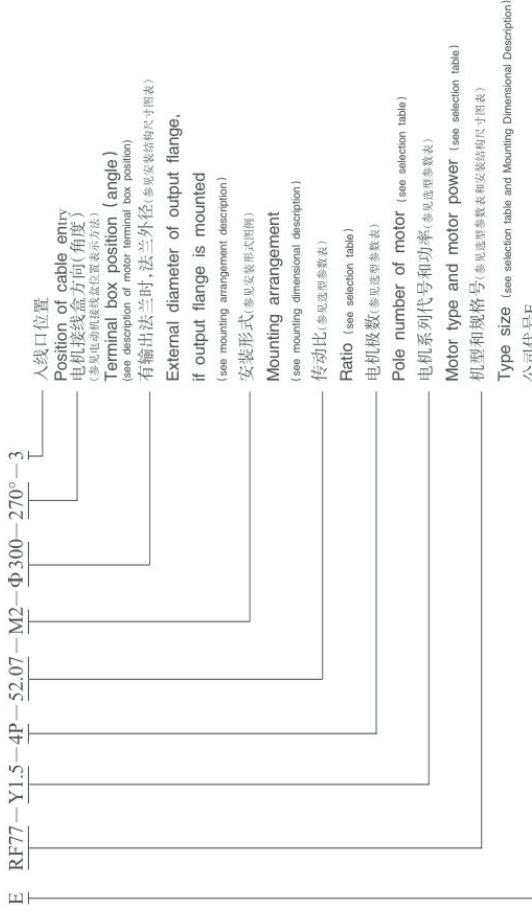
6. ER..SZ..AD..型: 输入轴型, 作为上述各种机型的变型品种, 即不配电动机而用输入轴。
Type ER..SZ..AD.: Input shaft type. As altered type from above mentioned types, it is connected with input shaft, instead of motor.



7. ER..R 型: 两机型的组合, 可形成很大的传动比。
Type ER..R: Combined types of two different types. Very big ratios are available with these combined units.



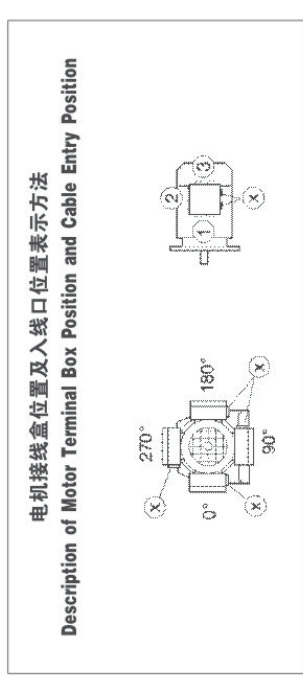
ER 系列机型号表示方法 Type Expression of ER Series



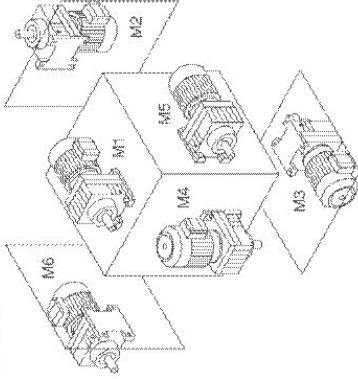
- 注: 1. 需带联接法兰时请注明。
2. 输入轴型没有电动机各项内容。
3. 不注明接线盒方向时, 则默认为安装形式中的 0 度位置。不注明入线口位置时, 则默认为 X 位置。
4. 对输出轴旋转方向和输入轴旋转方向有特别要求的用户, 请与技术部联系, 并在订货时用简图或文字说明。

Note: 1, Please make a note, if it needs connecting flange.
2, Contents of motors for input shaft types are not listed.
3, Degree=0°, if terminal box position is not mentioned. It is x, if cable entry position is not mentioned.
4, If specific rotation directions of output shaft or/and input shaft are specially requested, please contact our technology department, and make detailed description while placing order.

**电机接线盒位置及入线口位置表示方法
Description of Motor Terminal Box Position and Cable Entry Position**

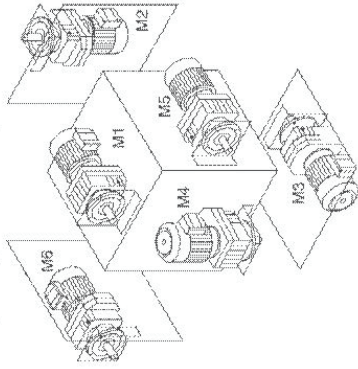


安装形式图例



各种安装形式定义为:
M1—电机水平放置; 减速机底脚 (ER、ERX 型) 或底部 (ERF、ERXF 型) 朝下。
M2—电机居下。
M3—电机水平放置; 减速机底脚 (ER、ERX 型) 或底部 (ERF、ERXF 型) 朝上。
M4—电机居上。
M5—电机水平放置; 当减速机在 M1 安装位置时, 从电机方看向, 减速机的左面旋转到下方位置。
M6—电机水平放置; 当减速机在 M1 安装位置时, 从电机方看向, 减速机的左面旋转到上方位置。

Mounting Arrangements Description



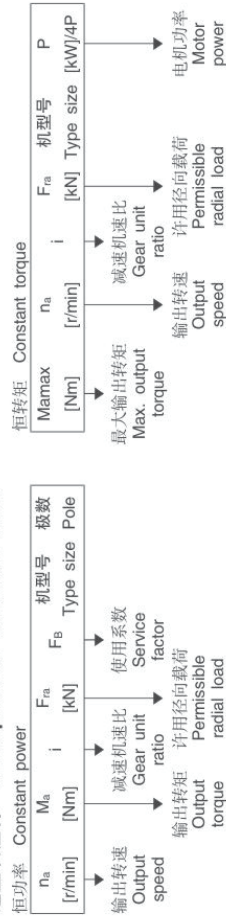
Different kinds of mounting arrangements are defined as following:
M1—horizontally mounted motor, unit foot (for ER, ERX) or unit base (for ERF, ERXF) is at bottom.
M2—motor is vertically mounted downwards.
M3—horizontally mounted motor, unit foot (for ER, ERX) or unit base (for ERF, ERXF) is top.
M4—motor is vertically mounted upwards.
M5—horizontally mounted motor, if placed on M1 position, left side of unit turns to bottom (view point: towards from motor side).
M6—horizontally mounted motor, if placed on M1 position, left side of unit turns to top (view point: towards from motor side).

减速机重量 (Gear unit weight)

规格 Size	ER17	ER27	ER37	ER47	ER57	ER67	ER77	ER87	ER97	ER107	ER137	ER147	ER167	ER177
重量(kg) Weight	5	6	7.5	13	21	25	35	67	100	187	280	450	795	1250
规格 Size	ERX57	ERX67	ERX77	ERX87	ERX97	ERX107	ERX137							
重量(kg) Weight	11	15	25	47	80	115	130							

注: 重量为平均值, 不包括电机, 仅供参考。(Note: The weights are mean values, without the motor, only for reference.)

选型表注释 Description of selection table



选型参数表
(恒功率)

选型参数表
(恒功率)

选型参数表 (恒功率)		Selection Table (Constant Power)					选型参数表 (恒功率)		Selection Table (Constant Power)				
n _a [r/min]	Ma [Nm]	i	F _{ra} [kN]	f _B	机型号 Type size	极数 Pole	n _a [r/min]	Ma [Nm]	i	F _{ra} [kN]	f _B	机型号 Type size	极数 Pole
0.12kW													
0.06	16754	21221	56	0.80	ER147R77	4P	0.92	1129	1430	7.8	0.80	ER77R37	4P
0.07	14296	18107	61	0.95	ER147R77	4P	1.0	1029	1303	8.6	0.85	ER77R37	4P
0.08	12500	15833	64	1.10	ER147R77	4P	1.2	887	1124	10.0	1.00	ER77R37	4P
0.09	10925	13837	67	1.25	ER147R77	4P	1.3	827	1047	10.5	1.05	ER77R37	4P
0.11	9694	12278	67	1.40	ER147R77	4P	1.4	772	915	11.0	1.20	ER77R37	4P
0.12	8751	11084	68	1.60	ER147R77	4P	0.94	1101	1394	8.2	0.80	ER77R37	4P
0.13	7706	9760	69	1.80	ER147R77	4P	1.1	962	1218	10.0	0.90	ER77R37	4P
0.16	6628	8395	69	2.10	ER147R77	4P	1.2	856	1084	10.0	1.00	ER77R37	4P
0.18	5779	7320	70	2.40	ER147R77	4P	1.4	742	940	11.0	1.15	ER77R37	4P
0.20	5084	6439	70	2.70	ER147R77	4P	1.6	648	821	11.0	1.35	ER77R37	4P
0.24	4322	5474	70	3.20	ER147R77	4P	1.8	577	731	12.0	1.50	ER77R37	4P
0.30	3599	4574	70	3.85	ER147R77	4P	2.0	510	646	12.0	1.70	ER77R37	4P
0.40	2899	3699	70	4.60	ER147R77	4P	2.5	411	520	12.0	2.10	ER77R37	4P
0.50	2329	3034	70	5.40	ER147R77	4P	2.9	356	451	12.0	2.45	ER77R37	4P
0.63	1825	2311	70	6.30	ER147R77	4P	3.1	333	422	12.0	2.60	ER77R37	4P
0.80	1429	1799	70	7.50	ER147R77	4P	3.6	288	365	12.0	3.00	ER77R37	4P
1.00	1199	1499	70	9.00	ER147R77	4P	4.4	233	300	12.0	3.50	ER77R37	4P
1.25	1049	1309	70	10.60	ER147R77	4P	5.4	188	250	12.0	4.20	ER77R37	4P
1.50	929	1159	70	12.30	ER147R77	4P	6.6	153	200	12.0	5.10	ER77R37	4P
1.80	819	1009	70	14.10	ER147R77	4P	8.0	127	160	12.0	6.00	ER77R37	4P
2.10	729	909	70	16.00	ER147R77	4P	9.6	107	130	12.0	7.00	ER77R37	4P
2.40	649	809	70	18.00	ER147R77	4P	11.4	90	110	12.0	8.10	ER77R37	4P
2.70	579	729	70	20.10	ER147R77	4P	13.4	77	95	12.0	9.30	ER77R37	4P
3.00	519	649	70	22.30	ER147R77	4P	15.6	66	82	12.0	10.60	ER77R37	4P
3.30	469	589	70	24.60	ER147R77	4P	18.0	57	72	12.0	12.00	ER77R37	4P
3.60	419	529	70	27.00	ER147R77	4P	20.6	50	63	12.0	13.50	ER77R37	4P
4.00	369	469	70	30.00	ER147R77	4P	23.4	44	56	12.0	15.00	ER77R37	4P
4.50	329	429	70	33.00	ER147R77	4P	26.4	39	50	12.0	16.50	ER77R37	4P
5.00	289	389	70	36.00	ER147R77	4P	29.6	35	45	12.0	18.00	ER77R37	4P
5.60	259	359	70	39.00	ER147R77	4P	33.0	31	41	12.0	19.50	ER77R37	4P
6.30	229	329	70	42.00	ER147R77	4P	36.6	28	37	12.0	21.00	ER77R37	4P
7.00	209	309	70	45.00	ER147R77	4P	40.4	25	34	12.0	22.50	ER77R37	4P
7.80	189	289	70	48.00	ER147R77	4P	44.4	22	31	12.0	24.00	ER77R37	4P
8.70	169	269	70	51.00	ER147R77	4P	48.6	19	28	12.0	25.50	ER77R37	4P
9.60	149	249	70	54.00	ER147R77	4P	53.0	16	25	12.0	27.00	ER77R37	4P
10.60	129	229	70	57.00	ER147R77	4P	57.6	13	22	12.0	28.50	ER77R37	4P
11.70	109	209	70	60.00	ER147R77	4P	62.4	10	19	12.0	30.00	ER77R37	4P
12.90	89	189	70	63.00	ER147R77	4P	67.4	8	16	12.0	31.50	ER77R37	4P
14.10	69	169	70	66.00	ER147R77	4P	72.6	6	13	12.0	33.00	ER77R37	4P
15.40	49	149	70	69.00	ER147R77	4P	78.0	4	10	12.0	34.50	ER77R37	4P
16.80	29	129	70	72.00	ER147R77	4P	83.6	3	8	12.0	36.00	ER77R37	4P
18.30	9	109	70	75.00	ER147R77	4P	89.4	2	6	12.0	37.50	ER77R37	4P
20.00	4	89	70	78.00	ER147R77	4P	95.4	1	4	12.0	39.00	ER77R37	4P
21.90	2	69	70	81.00	ER147R77	4P	101.6	1	3	12.0	40.50	ER77R37	4P
23.90	1	49	70	84.00	ER147R77	4P	108.0	1	2	12.0	42.00	ER77R37	4P
26.10	1	29	70	87.00	ER147R77	4P	114.6	1	1	12.0	43.50	ER77R37	4P
28.50	1	9	70	90.00	ER147R77	4P	121.4	1	1	12.0	45.00	ER77R37	4P
31.10	1	1	70	93.00	ER147R77	4P	128.4	1	1	12.0	46.50	ER77R37	4P
33.90	1	1	70	96.00	ER147R77	4P	135.6	1	1	12.0	48.00	ER77R37	4P
36.90	1	1	70	99.00	ER147R77	4P	143.0	1	1	12.0	49.50	ER77R37	4P
40.10	1	1	70	102.00	ER147R77	4P	150.6	1	1	12.0	51.00	ER77R37	4P
43.50	1	1	70	105.00	ER147R77	4P	158.4	1	1	12.0	52.50	ER77R37	4P
47.10	1	1	70	108.00	ER147R77	4P	166.4	1	1	12.0	54.00	ER77R37	4P
50.90	1	1	70	111.00	ER147R77	4P	174.6	1	1	12.0	55.50	ER77R37	4P
54.90	1	1	70	114.00	ER147R77	4P	183.0	1	1	12.0	57.00	ER77R37	4P
59.10	1	1	70	117.00	ER147R77	4P	191.6	1	1	12.0	58.50	ER77R37	4P
63.60	1	1	70	120.00	ER147R77	4P	200.4	1	1	12.0	60.00	ER77R37	4P
68.40	1	1	70	123.00	ER147R77	4P	209.4	1	1	12.0	61.50	ER77R37	4P
73.50	1	1	70	126.00	ER147R77	4P	218.6	1	1	12.0	63.00	ER77R37	4P
78.90	1	1	70	129.00	ER147R77	4P	228.0	1	1	12.0	64.50	ER77R37	4P
84.60	1	1	70	132.00	ER147R77	4P	237.6	1	1	12.0	66.00	ER77R37	4P
90.60	1	1	70	135.00	ER147R77	4P	247.4	1	1	12.0	67.50	ER77R37	4P
96.90	1	1	70	138.00	ER147R77	4P	257.4	1	1	12.0	69.00	ER77R37	4P
103.50	1	1	70	141.00	ER147R77	4P	267.6	1	1	12.0	70.50	ER77R37	4P
110.40	1	1	70	144.00	ER147R77	4P	278.0	1	1	12.0	72.00	ER77R37	4P
117.60	1	1	70	147.00	ER147R77	4P	288.6	1	1	12.0	73.50	ER77R37	4P
125.10	1	1	70	150.00	ER147R77	4P	299.4	1	1	12.0	75.00	ER77R37	4P
132.90	1	1	70	153.00	ER147R77	4P	310.4	1	1	12.0	76.50	ER77R37	4P
141.00	1	1	70	156.00	ER147R77	4P	321.6	1	1	12.0	78.00	ER77R37	4P
149.40	1	1	70	159.00	ER147R77	4P	333.0	1	1	12.0	79.50	ER77R37	4P
158.10	1	1	70	162.00	ER147R77	4P	344.6	1	1	12.0	81.00	ER77R37	4P
167.10	1	1	70	165.00	ER147R77	4P	356.4	1	1	12.0	82.50	ER77R37	4P
176.40	1	1	70	168.00	ER147R77	4P	368.4	1	1	12.0	84.00	ER77R37	4P
186.00	1	1	70	171.00	ER147R77	4P	380.6	1	1	12.0	85.50	ER77R37	4P
195.90	1	1	70	174.00	ER147R77	4P	393.0	1	1	12.0	87.00	ER77R37	4P
206.10	1	1	70	177.00	ER147R77	4P	405.6	1	1	12.0	88.50	ER77R37	4P
216.60	1	1	70	180.00	ER147R77	4P	418.4	1	1	12.0	90.00	ER77R37	4P
227.40	1	1	70	183.00	ER147R77	4P	431.4	1	1	12.0	91.50	ER77R37	4P
238.40	1	1	70	186.00	ER147R77	4P	444.6	1	1	12.0	93.00	ER77R37	4P
249.60	1	1	70	189.00	ER147R77	4P	458.0	1	1	12.0	94.50	ER77R37	4P
261.00	1	1	70	192.00	ER147R77	4P	471.6	1	1	12.0	96.00	ER77R37	4P
272.60	1	1	70	195.00	ER147R77	4P	485.4	1	1	12.0	97.50	ER77R37	4P
284.40	1	1	70	198.00	ER147R77	4P	499.4	1	1	12.0	99.00	ER77R37	4P
296.40	1	1	70	201.00	ER147R77	4P	513.6	1	1	12.0	100.50	ER77R37	4P
308.60	1	1	70	204.00	ER147R77								

选型参数表
(恒功率)

选型参数表
(恒功率)

n _a [r/min]	Ma [Nm]	i	F _{ra} [kN]	f _β	机型号 Type size	极数 Pole	n _a [r/min]	Ma [Nm]	i	F _{ra} [kN]	f _β	机型号 Type size	极数 Pole
0.18kW													
0.09	16387	13837	42	0.85	ER147R77	4P	1.1	1360	1148	18	1.20	ER87R57	4P
0.11	14541	12278	60	0.95	ERF147R77	4P	1.5	1053	889	19	1.55	ERF87R57	4P
0.12	13126	11084	62	1.05	ERF147R77	4P	1.7	924	780	19	1.80	ERF77R37	4P
0.13	11559	9760	64	1.20			1.5	1016	858	7.7	0.85	ERF77R37	4P
0.16	9942	8395	66	1.40			1.7	896	757	9.3	1.00	ERF77R37	4P
0.18	8669	7320	67	1.60			2.0	795	671	10	1.10	ERF77R37	4P
0.24	6483	5474	69	2.10	ER147R77	4P	2.3	676	571	11	1.30	ERF77R37	4P
0.27	5844	4935	69	2.35	ERF147R77	4P	1.8	866	731	10	1.00	ERF77R37	4P
0.30	5143	4343	70	2.70			2.0	765	646	10	1.15	ERF77R37	4P
0.36	4370	3690	70	3.15			2.3	663	560	11	1.30	ERF77R37	4P
0.40	3845	3247	70	3.60			2.7	578	488	11	1.50	ERF77R37	4P
0.15	10419	8798	47	0.80			3.0	516	436	12	1.70	ERF77R37	4P
0.17	8871	7491	52	0.95			3.5	442	373	12	2.00	ERF77R37	4P
0.20	7781	6570	53	1.10	ER137R77	4P	4.0	387	327	12	2.25	ERF77R37	4P
0.22	6921	5844	54	1.20	ERF137R77	4P	4.5	342	289	12	2.55	ERF77R37	4P
0.26	6069	5125	55	1.40			2.3	676	571	6.9	0.95	ER67R37	4P
0.29	5295	4471	56	1.60			2.7	576	486	7.9	1.10	ERF67R37	4P
0.33	4679	3951	57	1.80			2.3	680	574	6.8	0.95	ER67R37	4P
0.28	5637	4760	58	1.50			2.6	586	495	7.8	1.10	ER67R37	4P
0.32	4809	4061	56	1.75	ER137R77	4P	3.0	519	438	8.4	1.25	ER67R37	4P
0.37	4205	3551	57	2.00	ERF137R77	4P	3.4	459	388	8.8	1.40	ERF67R37	4P
0.39	3996	3374	57	2.10			3.8	407	344	9.0	1.55	ERF67R37	4P
0.44	3505	2960	57	2.40			4.5	348	294	9.3	1.85	ERF67R37	4P
0.30	5252	4435	27	0.85	ER107R77	4P	2.9	538	454	6.6	0.90	ER57R37	4P
0.34	4614	3896	30	1.00	ERF107R77	4P	3.2	486	410	6.8	1.00	ERF57R37	4P
0.43	3599	3039	33	1.25			2.8	558	471	5.7	0.85	ER57R37	4P
0.33	4640	3948	28	1.00			3.7	423	357	7.0	1.15	ERF57R37	4P
0.39	3959	3343	31	1.15			4.1	378	319	7.1	1.25	ERF57R37	4P
0.43	3593	3034	32	1.25	ER107R77	4P	4.8	323	273	7.3	1.45	ERF57R37	4P
0.49	3142	2653	33	1.45	ERF107R77	4P	5.4	285	241	7.4	1.65	ERF57R37	4P
0.57	2700	2280	34	1.70			6.1	255	215	7.4	1.85	ERF57R37	4P
0.63	2448	2067	35	1.85			3.6	425	359	6.9	1.10	ER57R37	4P
0.66	2353	1987	35	1.95			4.0	384	324	7.1	1.25	ER57R37	4P
0.72	2164	1827	35	2.10	ER107R77	4P	4.5	343	290	7.2	1.40	ER57R37	4P
0.82	1894	1599	35	2.40	ERF107R77	4P	5.0	310	262	7.3	1.55	ER57R37	4P
0.94	1658	1400	35	2.75			5.3	291	246	7.3	1.65	ER57R37	4P
1.1	1452	1226	36	3.15			6.0	261	220	7.4	1.85	ER57R37	4P
0.49	3160	2668	20	1.00			7.0	223	188	7.4	2.15	ER57R37	4P
0.58	2659	2245	23	1.20			8.2	188	159	7.5	2.55	ER57R37	4P
0.65	2387	2016	24	1.35			4.4	356	301	4.5	0.90	ER47R37	4P
0.76	2052	1733	25	1.55			5.1	302	255	5.2	1.05	ERF47R37	4P
0.81	1922	1623	26	1.65	ER97R57	4P	5.7	270	228	5.4	1.20	ERF47R37	4P
0.91	1698	1434	26	1.85	ERF97R57	4P	6.7	231	195	5.5	1.40	ERF47R37	4P
1.1	1429	1207	27	2.20			6.6	236	199	4.4	0.90	ER37R17	4P
1.2	1284	1084	27	2.45			7.6	204	172	4.8	1.05	ERF37R17	4P
1.4	1106	934	27	2.85			8.7	178	150	5.1	1.20	ERF37R17	4P
1.5	1040	878	27	3.05			5.8	268	226	2.0	0.80	ER37R17	4P
1.7	894	755	27	3.55			6.3	259	202	4.3	0.90	ERF37R17	4P
0.48	3224	2722	19	1.00	ER97R57	4P	7.3	212	179	4.7	1.00	ERF37R17	4P
0.57	2737	2311	23	1.15	ERF97R57	4P	8.4	185	156	5.0	1.15	ERF37R17	4P
0.63	2461	2078	24	1.30			9.3	167	141	3.9	0.85	ER27R17	4P
0.75	2061	1740	10	0.80			11	147	124	4.0	0.95	ERF27R17	4P
0.88	1770	1495	15	0.95			12	130	110	4.1	1.05	ER27R17	4P
0.94	1659	1401	16	1.00			14	111	94	4.1	1.25	ER27R17	4P
1.1	1465	1237	17	1.10	ER87R57	4P	9.7	160	135	3.9	0.85	ER27R17	4P
1.1	1362	1150	18	1.20	ERF87R57	4P	11	140	118	4.0	1.00	ER27R17	4P
1.3	1234	1042	18	1.35			13	123	104	4.1	1.10	ER27R17	4P
1.4	1107	935	19	1.50			15	107	90	4.1	1.30	ER27R17	4P
1.6	955	806	19	1.70			0.75	2065	1744	11	0.80	ER87R57	4P
0.75	2065	1744	11	0.80	ER87R57	4P	0.86	1812	1550	13	0.90	ERF87R57	4P
1.0	1549	1308	17	1.05									

选型参数表
(恒功率)

选型参数表
(恒功率)

n _a [r/min]	Ma [Nm]	i	F _{ra} [kN]	f _β	机型号 Type size	极数 Pole	n _a [r/min]	Ma [Nm]	i	F _{ra} [kN]	f _β	机型号 Type size	极数 Pole
0.18kW													
4.4	375	195.24	12	2.10			11	150	123.91	3.9	0.80		
5.1	320	166.59	12	2.50	ER77	6P	12	127	105.49	4.0	0.95		
5.8	286	145.67	12	2.80	ERF77	6P	14	110	90.96	4.1	1.10		
6.1	260	138.39	12	3.00	ERF77	6P	15	102	84.78	4.1	1.20		
7.0	233	121.42	12	3.40			18	89	74.11	4.2	1.35		
6.7	243	195.24	12	3.20	ER77	4P	19	84	69.47	4.2	1.45	ER27	4P
7.9	208	166.59	12	3.80	ERF77	4P	21	74	61.3	4.1	1.65	ERF27	4P
9.0	182	145.67	12	4.30	ERF77	4P	23	67	55.87	4.0	1.80	ER27	4P
9.5	173	138.39	12	4.60	ERF77	4P	27	58	48.17	3.8	2.10		
4.3	384	199.81	8.9	1.50			29	54	44.9	3.8	2.20		
4.6	354	184.07	9.1	1.65			33	47	39.25	3.6	2.50		
5.4	304	158.14	9.3	1.90			36	44	36.79	3.6	2.70		
6.2	264	137.67	10	2.20			40	39	32.47	3.4	3.10		
6.6	248	128.97	10	2.30	ER67	6P	46	35	28.78	3.3	3.50		
7.5	219	113.94	10	2.70	ERF67	6P	54	30	24.47	3.1	4.10		
8.0	203	105.83	10	2.90			46	34	28.37	3.3	3.50		
8.9	184	95.91	10	3.20			50	31	26.09	3.2	3.80		
9.9	165	86.11	10	3.50			59	27	22.32	3.1	4.50	ER27	4P
11	142	74.17	10	4.10			68	23	19.35	2.9	5.20	ERF27	4P
12	134	69.75	10	4.30			72	22	18.08	2.9	5.50		
6.6	249	199.81	10	2.30			84	19	15.63	2.7	6.40		
7.1	229	184.07	10	2.50			99	16	13.28	2.6	7.50		
8.3	197	158.14	10	2.90	ER67	4P	16	99	81.64	1.0	0.80		
9.5	172	137.67	10	3.30	ERF67	4P	19	85	70.39	1.3	0.95		
10	161	128.97	10	3.60			20	79	65.61	1.7	1.00		
11	142	113.94	10	4.00			23	69	57.35	2.2	1.15		
12	132	105.83	10	4.30									

选型参数表
(恒功率)

选型参数表 (恒功率)		Selection Table (Constant Power)				
n_a [r/min]	Ma [Nm]	i	F_{ra} [kN]	f_b	机型号 Type size	极数 Pole
0.18kW						
140	12	6.07	4.7	3.60	ERX67	6P
164	10	5.18	4.5	7.30	ERXF67	4P
188	8.9	4.53	4.3	9.20		
198	8.5	4.30	4.2	9.40		
216	7.5	6.07	4.1	5.40		
253	6.4	5.18	3.9	11		
289	5.6	4.53	3.7	14		
305	5.3	4.30	3.7	14		
347	4.7	3.77	3.5	18	ERX67	4P
409	4.0	3.20	3.3	24	ERXF67	
453	3.6	2.89	3.2	28		
516	3.1	2.54	3.1	36		
546	3.0	2.40	3.0	40		
642	2.5	2.04	2.9	50		
155	11	5.50	3.7	3.60		
168	10	5.07	3.6	3.60	ERX57	6P
195	8.6	4.35	3.4	7.90	ERXF57	
224	7.5	3.79	3.3	9.20		
238	6.8	5.50	3.2	5.40		
258	6.3	5.07	3.1	5.40		
301	5.4	4.35	3.0	12		
346	4.7	3.79	2.9	14		
369	4.4	3.55	2.8	15		
417	3.9	3.14	2.7	16	ERX57	4P
450	3.6	2.91	2.6	18	ERXF57	
496	3.3	2.64	2.5	20		
553	2.9	2.37	2.5	22		
642	2.5	2.04	2.3	26		
682	2.4	1.92	2.3	28		
794	2.0	1.65	2.2	31		
0.25kW						
15812	9760	48	8.85			
0.16	13601	8395	6.0	1.00		
0.18	11859	7320	6.3	1.15		
0.21	10432	6439	6.5	1.30		
0.24	8868	5474	6.6	1.55		
0.27	7995	4935	6.7	1.70		
0.31	7036	4343	6.8	1.95		
0.36	5978	3690	6.9	2.25		
0.41	5260	3247	6.9	2.60		
0.46	4682	2890	7.0	2.90		
0.23	9468	5844	4.8	0.90		
0.26	8303	5125	5.1	1.00		
0.30	7243	4471	5.3	1.15		
0.34	6401	3951	5.4	1.30		
0.28	7712	4760	5.1	1.05		
0.33	6579	4061	5.3	1.25		
0.37	5753	3551	5.5	1.45		
0.39	5466	3374	5.5	1.50		
0.45	4795	2960	5.6	1.75		
0.50	4313	2662	5.6	1.95		
0.55	3914	2416	5.7	2.15		
0.64	3363	2076	5.7	2.50		
0.72	2984	1842	5.7	2.80		
0.95	2276	1405	5.8	3.65		
1.1	1998	1233	5.8	4.20		
0.44	4923	3039	2.6	0.90		
0.44	4915	3034	2.0	0.90		
0.67	3219	1987	3.3	1.40		
0.73	2960	1827	3.4	1.50		
0.83	2591	1599	3.4	1.75		
1400	35	2.00			ER107R77	4P
1226	35	2.25			ER107R77	4P
939	35	2.95				
822	36	3.40				
2016	12	0.95			ER97R57	4P
1733	21	1.10			ER97R57	4P
1623	22	1.20				
1823	21	1.05				
1583	23	1.20				
1396	24	1.40				
1228	25	1.60				
1069	26	1.80			ER97R57	4P
938	26	2.00			ER97R57	4P
824	27	2.35				
737	27	2.60				
632	27	3.05				
1150	13	0.85				
1042	15	0.95			ER87R57	4P
935	17	1.05			ER87R57	4P
806	18	1.25				
1148	15	0.85				
889	17	1.10				
780	18	1.30				
1264	18	1.45				
1115	19	1.65			ER87R57	4P
601	19	1.90			ER87R57	4P
527	19	2.20				
458	19	2.50				
269	19	3.20				
571	8.7	0.90			ER77R37	4P
560	8.6	0.95			ER77R37	4P
488	10	1.05				
436	10	1.20				
373	11	1.40			ER77R37	4P
327	11	1.60			ER77R37	4P
289	12	1.80				
260	12	2.00				
224	12	2.35				
388	7.1	1.00				
344	7.7	1.10				
294	8.5	1.30				
261	8.8	1.45			ER67R37	4P
234	9.0	1.65			ER67R37	4P
200	9.3	1.90				
176	10	2.20				
158	10	2.45				
384	6.9	1.00				
359	7.3	1.05				
310	8.1	1.25			ER67R37	4P
264	8.7	1.45			ER67R37	4P
201	9.3	1.90				
181	9.4	2.10				
319	6.3	0.90				
273	6.8	1.05				
241	7.0	1.20			ER57R37	4P
215	7.2	1.35			ER57R37	4P
187	7.3	1.55				
164	7.4	1.75				
142	7.4	2.05				
324	5.3	0.90				
290	6.7	1.00			ER57R37	4P
262	6.8	1.10			ER57R37	4P

选型参数表
(恒功率)

选型参数表 (恒功率)		Selection Table (Constant Power)				
n_a [r/min]	Ma [Nm]	i	F_{ra} [kN]	f_b	机型号 Type size	极数 Pole
0.25kW						
5.4	399	246	7.0	1.15	ER57R37	4P
6.0	356	220	7.1	1.30	ERF57R37	
5.8	369	228	2.9	0.85		
6.8	316	195	5.1	1.00	ER47R37	4P
7.3	295	182	5.2	1.05	ERF47R37	
8.6	249	154	5.4	1.25		
8.9	243	150	3.2	0.85		
10	211	130	4.6	1.00	ER37R17	4P
11	201	124	4.8	1.05	ERF37R17	
12	178	110	5.0	1.15		
14	152	94	5.2	1.35		
8.3	253	156	2.2	0.80		
9.0	219	135	4.5	0.95	ER37R17	4P
10.5	206	127	4.6	1.00	ERF37R17	
12.8	168	104	5.0	1.25		
14.8	146	90	5.2	1.40		
2.2	1027	289.74	27	3.00		
2.5	906	255.71	27	3.30	ER97	8P
2.7	855	241.25	27	3.50	ERF97	
3.0	766	216.28	27	4.00		
2.6	878	247.61	19	1.80		
2.9	771	217.48	19	2.00	ER87	8P
3.1	732	206.6	19	2.20	ERF87	
3.5	647	182.56	19	2.40		
3.8	590	166.59	11	1.40		
4.4	516	145.67	11	1.60	ER77	8P
4.6	490	138.59	11	1.70	ERF77	
5.3	430	121.42	12	1.90		
4.4	521	195.24	11	1.55	ER77	6P
5.1	445	166.59	12	1.80	ERF77	
5.6	389	145.67	12	2.10		
6.8	333	195.24	12	2.30		
8.0	284	166.59	12	2.70	ER77	4P
9.1	248	145.67	12	3.10	ERF77	
9.6	236	138.59	12	3.20		
11	207	121.42	12	3.70		
4.0	560	158.14	7.7	1.10		
4.6	488	137.67	8.3	1.25	ER67	8P
5.0	457	128.97	8.5	1.35	ERF67	
5.6	404	113.94	8.9	1.50		
4.3	533	199.81	7.8	1.10		
4.6	491	184.07	8.2	1.20		
5.4	422	158.14	8.7	1.40	ER67	6P
6.2	367	137.67	9.0	1.60	ERF67	
6.6	344	128.97	9.1	1.70		
7.5	304	113.94	9.3	1.95		
8.0	282	105.83	9.4	2.10		
6.7	341	199.81	9.1	1.65		
7.2	314	184.07	9.2	1.80		
8.4	270	158.14	9.4	2.10		
9.7	235	137.67	10	2.40	ER67	4P
10	220	128.97	10	2.50	ERF67	
12	194	113.94	10	2.90		
13	180	105.83	10	3.10		
14	164	95.91	10	3.40		
15	147	86.11	10	3.80		
4.5	499	186.89	6.1	0.90		
4.9	459	172.17	6.7	0.95		
5.7	395	147.92	6.9	1.10	ERS7	6P
6.6	344	128.77	7.1	1.30	ERFS7	
7.0	322	120.63	7.2	1.35		
8.0	284	106.58	7.3	1.55		

选型参数表
(恒功率)

选型参数表 (恒功率)		Selection Table (Constant Power)					
n_a [r/min]	M_a [Nm]	i	F_{ra} [kN]	f_b	机型号 Type size	极数 Pole	
0.25kW							
311	7.3	4.27	1.8	11	ER27	4P	
333	6.8	4.00	1.8	12	ERF27		
395	5.7	3.37	1.7	13			
23	9.8	57.35	0.7	0.80		4P	
25	9.2	53.76	0.7	0.85			
28	8.1	47.44	1.1	1.00	ER17		
30	7.5	44.18	1.9	1.05	ERF17		
34	6.6	38.61	2.1	1.20			
37	6.2	36.20	2.1	1.30			
42	5.4	31.94	2.0	1.45			
47	4.8	28.32	2.0	1.65			
55	4.1	24.07	1.9	1.90			
53	4.1	24.8	1.9	1.85			
57	3.8	23.15	1.9	2.00			
67	3.3	19.71	1.8	2.50			
78	2.8	16.99	1.7	2.70			
84	2.6	15.84	1.7	2.90			
96	2.3	13.84	1.6	3.30			
102	2.1	12.98	1.6	3.60			
116	1.9	11.45	1.6	3.90	ER17		
131	1.7	10.15	1.5	4.10	ERF17		
154	1.4	8.63	1.5	4.60			
176	1.2	7.55	1.4	4.00			
189	1.2	7.04	1.3	4.30			
216	1.0	6.15	1.3	4.80			
231	0.9	5.76	1.3	5.00			
261	0.8	4.50	1.2	5.50			
295	0.7	4.51	1.2	5.80			
347	0.6	3.83	1.1	6.40			
442	0.5	3.15	1.1	9.80			
472	0.4	2.76	1.0	10.00	ER17		
534	0.4	2.50	1.0	11.00	ERF17		
603	0.3	2.15	1.0	12.00			
710	0.3	1.83	0.9	13.00			
140	1.7	6.07	4.6	2.60	ERX67	6P	
164	1.4	5.40	4.4	3.00	ERXF67		
188	1.2	4.53	4.2	3.40			
219	1.1	4.07	4.1	3.90			
257	0.9	3.58	3.9	4.30			
294	0.8	3.17	3.7	4.70			
309	0.8	3.00	3.7	4.90			
353	0.7	2.77	3.5	5.30	ERX67		
416	0.6	2.40	3.3	6.00	ERXF67		
460	0.5	2.15	3.2	6.60			
524	0.4	1.83	3.0	7.40			
554	0.4	1.70	3.0	7.80			
652	0.3	1.40	2.9	10.00			
155	1.5	5.50	3.6	2.60	ERN57	6P	
168	1.4	5.07	3.6	2.60	ERXF57		
195	1.2	4.35	3.4	3.00			
224	1.0	3.79	3.2	3.40			
242	0.9	3.40	3.1	3.90			
262	0.8	3.07	3.0	4.30			
306	0.7	2.60	2.8	4.70			
351	0.6	2.25	2.7	5.10			
375	0.6	2.10	2.7	5.50			
424	0.5	1.83	2.6	6.00	ERN57		
457	0.5	1.70	2.6	6.40	ERXF57		
504	0.4	1.40	2.5	7.00			
561	0.4	1.30	2.5	7.40			
652	0.3	1.00	2.3	10.00			
693	0.3	0.90	2.3	10.00			
806	0.2	0.70	2.2	13.00			

选型参数表
(恒功率)

选型参数表 (恒功率)		Selection Table (Constant Power)					
n_a [r/min]	M_a [Nm]	i	F_{ra} [kN]	f_b	机型号 Type size	极数 Pole	
0.37kW							
3.1	1045	436	5.1	0.80		4P	
3.6	894	373	9.2	0.95			
4.1	784	327	10	1.10	ER7R37		
4.6	693	289	11	1.25	ERF7R37		
5.1	623	264	11	1.40			
5.9	537	224	11	1.60			
6.8	472	197	12	1.80			
7.9	405	169	12	2.10			
8.9	357	149	12	2.40			
4.5	705	294	5.9	0.90			
5.1	626	261	7.3	1.00	ER67R37		
5.7	561	234	7.9	1.10	ERF67R37		
6.7	480	200	8.6	1.30			
3.6	1301	255.71	27	2.30		8P	
2.7	1227	241.25	27	2.40	ER97		
3.1	1100	216.28	27	2.70	ERF97		
3.5	948	186.30	27	3.10			
3.1	1093	289.74	27	2.70		6P	
3.5	964	255.71	27	3.00	ER97		
4.1	910	241.25	27	3.25	ERF97		
4.7	816	216.28	27	3.65			
3.0	1106	217.48	18	1.40	ER87	8P	
3.2	1051	206.60	19	1.50	ERF87		
3.6	929	182.56	19	1.70			
3.6	934	247.61	19	1.65			
4.1	820	217.48	19	1.85			
4.3	779	206.60	19	1.95	ER87		
4.9	689	182.56	19	2.25	ERF87		
5.7	588	156.01	19	2.60			
6.2	539	143.03	19	2.85			
4.5	741	145.67	10	1.10	ER77	8P	
4.8	704	138.39	10	1.15	ERF77		
5.4	618	121.42	11	1.35			
5.3	628	166.59	11	1.30	ER77	6P	
6.1	549	145.67	11	1.50	ERF77		
6.4	522	138.39	11	1.55			
6.8	493	195.24	11	1.70			
8.0	420	166.59	12	2.00			
9.1	368	145.67	12	2.20	ER77		
9.6	349	138.39	12	2.30	ERF77		
11	306	121.42	12	2.60			
13	260	102.99	12	3.10			
14	235	92.97	12	3.50			
5.6	596	158.14	6.9	0.95		6P	
6.5	519	137.67	7.8	1.10	ER67		
6.9	486	128.97	8.1	1.20	ERF67		
7.8	430	113.94	8.6	1.35			
6.7	483	199.81	8.1	1.15			
7.2	445	184.07	8.4	1.25			
8.4	382	158.14	8.8	1.50			
9.7	347	137.67	9.1	1.80			
10	326	128.97	9.3	1.80			
12	288	113.94	9.4	2.10	ER67		
13	267	105.83	10	2.20	ERF67		
14	242	95.91	10	2.40			
15	217	86.11	10	2.70			
18	176	74.17	10	3.40			
19	176	69.75	10	3.40			
22	155	61.26	13	3.80			
23	144	56.89	10	4.10			
6.9	486	128.77	6.2	0.90			
7.4	455	120.63	6.7	0.95	ER57		
8.4	402	106.58	6.9	1.10	ERF57		
9.0	373	98.99	7.0	1.15			

选型参数表
(恒功率)

选型参数表
(恒功率)

0.37kW		0.55kW		0.75kW		1.1kW		1.5kW		2.2kW		3.0kW		4.0kW		5.5kW		7.5kW		11kW		15kW		22kW		30kW		40kW		55kW		75kW		110kW		150kW																																																																																																																																																																																																																																																																																																																																																																																																																																																																																																																																																																																																																																																																																																																																																																																																																																																																													
n_a [r/min]	M_a [Nm]	i	F_{ra} [kN]	f_b	机型号 Type size	极数 Pole	n_a [r/min]	M_a [Nm]	i	F_{ra} [kN]	f_b	机型号 Type size	极数 Pole	n_a [r/min]	M_a [Nm]	i	F_{ra} [kN]	f_b	机型号 Type size	极数 Pole	n_a [r/min]	M_a [Nm]	i	F_{ra} [kN]	f_b	机型号 Type size	极数 Pole	n_a [r/min]	M_a [Nm]	i	F_{ra} [kN]	f_b	机型号 Type size	极数 Pole	n_a [r/min]	M_a [Nm]	i	F_{ra} [kN]	f_b	机型号 Type size	极数 Pole	n_a [r/min]	M_a [Nm]	i	F_{ra} [kN]	f_b	机型号 Type size	极数 Pole	n_a [r/min]	M_a [Nm]	i	F_{ra} [kN]	f_b	机型号 Type size	极数 Pole	n_a [r/min]	M_a [Nm]	i	F_{ra} [kN]	f_b	机型号 Type size	极数 Pole																																																																																																																																																																																																																																																																																																																																																																																																																																																																																																																																																																																																																																																																																																																																																																																																																																																			
47	72	28.37	3.1	1.80	ER17	4P	375	9.2	3.55	2.7	7.60	ER17R77	4P	4.1	1146	336	27	2.60	ER97R57	4P	5.5	1655	216.28	26	1.80	ER97R57	4P	7.2	289	80.55	7.2	1.45	ER97R57	4P	11	1790	525	14	0.85	ER97R57	4P	15	2046	68.54	5.3	1.15	ER97R57	4P	20	246	68.54	5.3	1.15	ER97R57	4P	25	289	80.55	7.2	1.45	ER97R57	4P	30	336	27	2.60	ER97R57	4P	35	384	23.1	5.4	1.20	ER97R57	4P	40	400	18.2	1.75	ER97R57	4P	45	450	16.0	2.00	ER97R57	4P	50	500	14.5	2.25	ER97R57	4P	55	550	12.5	2.50	ER97R57	4P	60	600	10.5	2.80	ER97R57	4P	65	650	8.5	3.10	ER97R57	4P	70	700	6.5	3.40	ER97R57	4P	75	750	4.5	3.70	ER97R57	4P	80	800	2.5	4.00	ER97R57	4P	85	850	1.5	4.30	ER97R57	4P	90	900	0.5	4.60	ER97R57	4P	95	950	0.2	4.90	ER97R57	4P	100	1000	0.1	5.20	ER97R57	4P	105	1050	0.05	5.50	ER97R57	4P	110	1100	0.02	5.80	ER97R57	4P	115	1150	0.01	6.10	ER97R57	4P	120	1200	0.005	6.40	ER97R57	4P	125	1250	0.002	6.70	ER97R57	4P	130	1300	0.001	7.00	ER97R57	4P	135	1350	0.0005	7.30	ER97R57	4P	140	1400	0.0002	7.60	ER97R57	4P	145	1450	0.0001	7.90	ER97R57	4P	150	1500	0.00005	8.20	ER97R57	4P	155	1550	0.00002	8.50	ER97R57	4P	160	1600	0.00001	8.80	ER97R57	4P	165	1650	0.000005	9.10	ER97R57	4P	170	1700	0.000002	9.40	ER97R57	4P	175	1750	0.000001	9.70	ER97R57	4P	180	1800	0.0000005	10.00	ER97R57	4P	185	1850	0.0000002	10.30	ER97R57	4P	190	1900	0.0000001	10.60	ER97R57	4P	195	1950	0.00000005	10.90	ER97R57	4P	200	2000	0.00000002	11.20	ER97R57	4P	205	2050	0.00000001	11.50	ER97R57	4P	210	2100	0.000000005	11.80	ER97R57	4P	215	2150	0.000000002	12.10	ER97R57	4P	220	2200	0.000000001	12.40	ER97R57	4P	225	2250	0.0000000005	12.70	ER97R57	4P	230	2300	0.0000000002	13.00	ER97R57	4P	235	2350	0.0000000001	13.30	ER97R57	4P	240	2400	0.00000000005	13.60	ER97R57	4P	245	2450	0.00000000002	13.90	ER97R57	4P	250	2500	0.00000000001	14.20	ER97R57	4P	255	2550	0.000000000005	14.50	ER97R57	4P	260	2600	0.000000000002	14.80	ER97R57	4P	265	2650	0.000000000001	15.10	ER97R57	4P	270	2700	0.0000000000005	15.40	ER97R57	4P	275	2750	0.0000000000002	15.70	ER97R57	4P	280	2800	0.0000000000001	16.00	ER97R57	4P	285	2850	0.00000000000005	16.30	ER97R57	4P	290	2900	0.00000000000002	16.60	ER97R57	4P	295	2950	0.00000000000001	16.90	ER97R57	4P	300	3000	0.000000000000005	17.20	ER97R57	4P	305	3050	0.000000000000002	17.50	ER97R57	4P	310	3100	0.000000000000001	17.80	ER97R57	4P	315	3150	0.0000000000000005	18.10	ER97R57	4P	320	3200	0.0000000000000002	18.40	ER97R57	4P	325	3250	0.0000000000000001	18.70	ER97R57	4P	330	3300	0.00000000000000005	19.00	ER97R57	4P	335	3350	0.00000000000000002	19.30	ER97R57	4P	340	3400	0.00000000000000001	19.60	ER97R57	4P	345	3450	0.000000000000000005	19.90	ER97R57	4P	350	3500	0.00000000000000002	20.20	ER97R57	4P	355	3550	0.00000000000000001	20.50	ER97R57	4P	360	3600	0.000000000000000005	20.80	ER97R57	4P	365	3650	0.000000000000000002	21.10	ER97R57	4P	370	3700	0.000000000000000001	21.40	ER97R57	4P	375	3750	0.0000000000000000005	21.70	ER97R57	4P	380	3800	0.0000000000000000002	22.00	ER97R57	4P	385	3850	0.0000000000000000001	22.30	ER97R57	4P	390	3900	0.00000000000000000005	22.60	ER97R57	4P	395	3950	0.00000000000000000002	22.90	ER97R57	4P	400	4000	0.00000000000000000001	23.20	ER97R57	4P	405	4050	0.000000000000000000005	23.50	ER97R57	4P	410	4100	0.000000000000000000002	23.80	ER97R57	4P	415	4150	0.000000000000000000001	24.10	ER97R57	4P	420	4200	0.0000000000000000000005	24.40	ER97R57	4P	425	4250	0.0000000000000000000002	24.70	ER97R57	4P	430	4300	0.0000000000000000000001	25.00	ER97R57	4P	435	4350	0.00000000000000000000005	25.30	ER97R57	4P	440	4400	0.00000000000000000000002	25.60	ER97R57	4P	445	4450	0.00000000000000000000001	25.90	ER97R57	4P	450	4500	0.000000000000000000000005	26.20	ER97R57	4P	455	4550	0.000000000000000000000002	26.50	ER97R57	4P	460	4600	0.000000000000000000000001	26.80	ER97R57	4P	465	4650	0.0000000000000000000000005	27.10	ER97R57	4P	470	4700	0.0000000000000000000000002	27.40	ER97R57	4P	475	4750	0.0000000000000000000000001	27.70	ER97R57	4P	480	4800	0.00000000000000000000000005	28.00	ER97R57	4P	485	4850	0.00000000000000000000000002	28.30	ER97R57	4P	490	4900	0.00000000000000000000000001	28.60	ER97R57	4P	495	4950	0.000000000000000000000000005	28.90	ER97R57	4P	500	5000	0.000000000000000000000000002	29.20	ER97R57	4P	505	5050	0.000000000000000000000000001	29.50	ER97R57	4P	510	5100	0.0000000000000000000000000005	29.80	ER97R57	4P	515	5150	0.0000000000000000000000000002	30.10	ER97R57	4P	520	5200	0.0000000000000000000000000001	30.40	ER97R57	4P	525	5250	0.00000000000000000000000000005	30.70	ER97R57	4P	530	5300	0.00000000000000000000000000002	31.00	ER97R57	4P	535	5350	0.00000000000000000000000000001	31.30	ER97R57	4P	540	5400	0.000000000000000000000000000005	31.60	ER97R57	4P	545	5450	0.000000000000000000000000000002	31.90	ER97R57	4P	550	5500	0.000000000000000000000000000001	32.20	ER97R57	4P	555	5550	0.0000000000000000000000000000005	32.50	ER97R57	4P	560	5600	0.0000000000000000000000000000002	32.80	ER97R57	4P	565	5650	0.0000000000000000000000000000001	33.10	ER97R57	4P	570	5700	0.00000000000000000000000000000005	33.40	ER97R57	4P	575	5750	0.00000000000000000000000000000002	33.70	ER97R57	4P	580	5800	0.00000000000000000000000000000001	34.00	ER97R57	4P	585	5850	0.000000000000000000000000000000005	34.30	ER97R57	4P	590	5900	0.000000000000000000000000000000002	34.60	ER97R57	4P	595	5950	0.000000000000000000000000000000001	34.90	ER97R57	4P	600	6000	0.0000000000000000000000000000000005	35.20	ER97R57	4P	605	6050	0.0000000000000000000000000000000002	35.50	ER97R57	4P	610	6100	0.0000000000000000000000000000000001	35.80	ER97R57	4P	615	6150	0.00000000000000000000000000000000005	36.10	ER97R57	4P	620	6200	0.00000000000000000000000000000000002	36.40	ER97R57	4P	625	6250	0.00000000000000000000000000000000001	36.70	ER97R57	4P	630	6300	0.000000000000000000000000000000000005	37.00	ER97R57	4P	635	6350	0.000000000000000000000000000000000002	37.30	ER97R57	4P	640	6400	0.000000000000000000000000000000000001	37.60	ER97R57	4P	645	6450	0.0000000000000000000000000000000000005	37.90	ER97R57	4P	650	6500	0.0000000000000000000000000000000000002	38.20	ER97R57	4P	655	6550	0.0000000000000000000000000000000000001	38.50	ER97R57	4P	660	6600	0.00000000000000000000000000000000000005	38.80	ER97R57	4P	665	6650	0.00000000000000000000000000000000000002	39.10	ER97R57	4P	670	6700	0.00000000000000000000000000000000000001	39.40	ER97R57	4P	675	6750	0.000000000000000000000000000000000000005	39.70	ER97R57	4P	680	6800	0.000000000000000000000000000000000000002	40.00	ER97R57	4P	685	6850	0.000000000000000000000000000000000000001	40.30	ER97R57	4P	690	6900	0.0000000000000000000000000000000000000005	40.60	ER97R57	4P	695	6950	0.0000000000000000000000000000000000000002	40.90	ER97R57	4P	700	7000	0.0000000000000000000000000000000000000001	41.20	ER97R57	4P	705	7050	0.005	41.50	ER97R57	4P	710	

选型参数表
(恒功率)

选型参数表 (恒功率)		Selection Table (Constant Power)					
n_a [r/min]	Ma [Nm]	i	F_{ra} [kN]	f_b	机型号 Type size	极数 Pole	
0.55kW							
51	95	53.76	1.2	0.80	ERI77R97	4P	
58	84	47.44	1.2	0.90	ERF17R97	4P	
62	78	44.18	1.5	1.00	ERF17	4P	
71	68	38.61	1.5	1.15	ERF167R97	4P	
71	69	19.71	1.5	1.10	ERF167R97	4P	
82	59	16.99	1.5	1.30	ERF167R97	4P	
88	55	15.84	1.5	1.40	ERF167R97	4P	
100	48	13.84	1.4	1.60	ERF167R97	4P	
107	45	12.98	1.4	1.70	ERF167R97	4P	
121	40	11.45	1.4	1.85	ERF167R97	4P	
137	35	10.15	1.4	1.95	ERF167R97	4P	
161	30	8.63	1.3	2.20	ERF167R97	4P	
184	26	7.55	1.2	2.90	ERF167R97	4P	
197	24	7.04	1.2	3.00	ERF167R97	4P	
226	21	6.15	1.2	3.30	ERF167R97	4P	
241	20	5.76	1.2	3.40	ERF167R97	4P	
273	18	5.09	1.1	2.60	ERF167R97	4P	
308	16	4.51	1.1	2.80	ERF167R97	4P	
363	13	3.83	1.1	3.00	ERF167R97	4P	
317	15	8.63	1.1	4.30	ERF167R97	4P	
363	13	7.55	1.0	3.80	ERF167R97	4P	
389	12	7.04	1.0	4.00	ERF167R97	4P	
446	11	6.15	1.0	4.50	ERF167R97	4P	
476	10	5.76	1.0	4.70	ERF167R97	4P	
538	9	5.09	0.9	5.20	ERF167R97	4P	
608	8	4.51	0.9	5.40	ERF167R97	4P	
715	6.8	3.83	0.9	6.00	ERF167R97	4P	
172	30	5.18	4.3	2.50	ERX67	6P	
196	26	4.53	4.1	3.10	ERX67	6P	
207	25	4.30	4.0	3.20	ERX67	6P	
236	22	3.77	3.9	4.00	ERX67	6P	
268	19	3.18	3.80	4.00	ERX67	6P	
307	17	2.70	3.6	4.70	ERX67	6P	
323	16	2.50	3.6	4.80	ERX67	6P	
369	14	2.15	3.4	6.00	ERX67	6P	
434	12	1.80	3.2	8.10	ERX67	6P	
481	11	1.65	3.1	9.50	ERX67	6P	
547	9.4	1.45	3.0	12	ERX67	6P	
579	8.8	1.40	3.0	13	ERX67	6P	
681	7.5	1.25	2.8	17	ERX67	6P	
747	6.9	1.18	2.7	18	ERX67	6P	
863	5.9	1.05	2.6	18	ERX67	6P	
205	25	4.35	3.3	2.70	ERX57	6P	
235	22	3.79	3.1	3.10	ERX57	6P	
251	20	3.55	3.1	3.30	ERX57	6P	
283	18	3.14	3.0	3.50	ERX57	6P	
306	17	2.91	2.9	3.90	ERX57	6P	
320	16	2.70	2.8	4.10	ERX57	6P	
367	14	2.30	2.6	4.70	ERX57	6P	
392	13	2.10	2.5	5.00	ERX57	6P	
443	12	1.80	2.4	6.50	ERX57	6P	
478	11	1.65	2.3	6.00	ERX57	6P	
527	9.7	1.45	2.2	6.80	ERX57	6P	
586	8.7	1.35	2.1	7.50	ERX57	6P	
681	7.5	1.20	2.0	8.70	ERX57	6P	
724	7.1	1.15	2.0	9.30	ERX57	6P	
842	6.1	1.05	1.9	11	ERX57	6P	
939	5.5	0.95	1.8	12	ERX57	6P	
1069	4.8	0.85	1.7	13	ERX57	6P	
0.75kW							
0.15	46912	9104	128	0.80	ERI77R97	4P	
0.24	29330	5692	128	1.25	ERF17R97	4P	
0.27	26048	5055	128	1.40	ERF17R97	4P	
0.44	16422	3187	128	2.20	ERF17R97	4P	

选型参数表
(恒功率)

选型参数表 (恒功率)		Selection Table (Constant Power)					
n_a [r/min]	Ma [Nm]	i	F_{ra} [kN]	f_b	机型号 Type size	极数 Pole	
0.75kW							
4.8	1418	289.74	26	2.00	ER77	4P	
5.4	1252	255.71	27	2.30	ER77	4P	
5.8	1181	241.25	27	2.40	ER77	4P	
6.4	1059	216.28	27	2.70	ER77	4P	
7.5	912	186.30	27	3.10	ER77	4P	
8.2	832	170.02	27	3.40	ER77	4P	
4.2	1626	217.48	15	0.90	ER87	6P	
4.4	1545	206.60	15	0.95	ERF87	6P	
5.0	1365	182.56	17	1.05	ER87	6P	
5.8	1167	156.01	18	1.25	ER87	6P	
6.4	1069	143.03	18	1.35	ERF87	6P	
5.6	1212	247.61	18	1.20	ER87	6P	
6.4	1065	217.48	18	1.40	ER87	6P	
6.7	1011	206.60	19	1.45	ER87	6P	
7.6	894	182.56	19	1.65	ER87	6P	
8.9	764	156.01	19	1.90	ER87	6P	
9.7	700	143.03	19	2.10	ERF87	6P	
11	614	125.51	19	2.40	ER87	6P	
12	582	118.94	19	2.50	ER87	6P	
13	510	104.10	19	2.90	ER87	6P	
15	459	93.79	19	3.20	ER87	6P	
8.3	815	166.59	9	0.95	ER77	4P	
9.5	713	145.67	10	1.10	ERF77	4P	
10	677	138.39	10	1.15	ERF77	4P	
11	594	121.42	11	1.30	ER77	4P	
13	504	102.99	11	1.55	ER77	4P	
15	455	92.97	12	1.70	ER77	4P	
17	400	81.80	12	1.95	ER77	4P	
18	378	77.24	12	2.00	ER77	4P	
21	322	65.77	12	2.40	ERF77	4P	
24	282	57.68	12	2.70	ERF77	4P	
27	255	52.07	12	3.00	ERF77	4P	
30	224	45.81	12	3.50	ERF77	4P	
32	212	43.26	12	3.70	ERF77	4P	
11	631	128.97	3	0.90	ER27	4P	
12	558	113.94	3	1.00	ER27	4P	
13	518	105.83	3	1.10	ER27	4P	
14	470	95.91	3	1.20	ER27	4P	
16	422	86.11	3	1.35	ER67	4P	
19	363	74.17	3	1.55	ER67	4P	
20	341	69.75	3	1.65	ER67	4P	
23	300	61.26	3	1.90	ER67	4P	
24	278	56.89	3	2.00	ER67	4P	
27	252	51.56	3	2.20	ER67	4P	
30	227	46.29	3	2.50	ER67	4P	
13	522	106.58	4	0.80	ER27	4P	
14	485	98.99	5	0.90	ER27	4P	
15	439	89.71	6	0.95	ER27	4P	
17	394	80.55	6	1.10	ER27	4P	
20	339	69.23	7	1.25	ER27	4P	
21	317	64.85	7	1.35	ER27	4P	
24	280	57.29	6	1.50	ER57	4P	
26	261	53.22	6	1.65	ER57	4P	
29	236	48.23	6	1.80	ER57	4P	
32	212	43.30	6	2.00	ER57	4P	
37	183	37.30	6	2.30	ER57	4P	
40	172	35.07	6	2.50	ER57	4P	
46	148	30.18	5	2.90	ER57	4P	
52	132	26.97	5	3.20	ER57	4P	
53	129	26.31	5	3.30	ER57	4P	
56	122	24.99	5	3.50	ER57	4P	
63	107	21.93	5	4.00	ER57	4P	
75	91	18.60	5	4.70	ER57	4P	
0.75kW							
20	336	68.54	3.5	0.85	ER47	4P	
22	314	64.21	4.7	0.90	ERF47	4P	
25	278	56.73	5.2	1.00	ERF47	4P	
26	258	52.69	5.2	1.10	ERF47	4P	
29	234	47.75	5.1	1.20	ERF47	4P	
32	210	42.87	5.0	1.35	ERF47	4P	
38	181	36.93	4.8	1.55	ERF47	4P	
40	170	34.73	4.7	1.65	ERF47	4P	
52	131	26.70	4.4	2.20	ERF47	4P	
59	115	23.59	4.3	2.50	ERF47	4P	
52	131	26.74	4.4	2.20	ERF47	4P	
60	114	23.28	4.3	2.50	ERF47	4P	
64	107	21.81	4.2	2.70	ERF47	4P	
72	94	19.27	4.1	3.00	ERF47	4P	
78	88	17.89	4.0	3.10	ERF47	4P	
86	79	16.22	3.9	3.30	ERF47	4P	
29	228	48.08	2.2	0.80	ER37	4P	
31	212	44.81	4.0	0.85	ERF37	4P	
35	186	39.17	4.5	1.00	ERF37	4P	
38	174	36.72	4.5	1.05	ERF37	4P	
43	154	32.40	4.4	1.20	ERF37	4P	
48	136	28.73	4.3	1.35	ERF37	4P	
57	116	24.42	4.1	1.60	ERF37	4P	
62	106	22.27	4.0	1.75	ERF37	4P	
72	92	19.31	3.9	2.00	ERF37	4P	
77	86	18.05	3.8	2.10	ERF37	4P	
89	74	15.60	3.7	2.50	ERF37	4P	
105	63	13.25	3.5	2.80	ERF37	4P	
117	56	11.83	3.4	3.00	ERF37	4P	
137	48	10.11	3.2	3.40	ERF37	4P	
147	45	9.47	3.2	3.40	ERF37	4P	
48	136	28.78	2.7	0.85	ER27	4P	
57	116	24.47	2.7	1.00	ERF27	4P	
62	106	22.32	2.6	1.10	ERF27	4P	
72	92	19.35	2.5	1.30	ERF27	4P	
77	86	18.08	2.5	1.40	ERF27	4P	
89	74	15.63	2.4	1.60			

选型参数表
(恒功率)

选型参数表
(恒功率)

n _a [r/min]	Ma [Nm]	i	F _{ra} [kN]	f _B	机型号 Type size	极数 Pole
0.75kW						
247	27	11.45	1.1	2.70		
279	24	10.15	1.1	2.90		
328	20	8.63	1.1	3.10		
375	18	7.55	1.0	2.80		
402	16	7.04	1.0	2.90		
460	14	6.15	1.0	3.30	ER17 ERF17	2P
491	13	5.76	0.9	3.50		
556	12	5.09	0.9	3.80		
627	11	4.51	0.9	4.00		
739	8.9	3.83	0.8	4.40		
201	35	4.53	4.0	2.30		
212	33	4.30	4.0	2.30	ERX67 ERXF67	6P
241	29	3.77	3.8	2.90		
284	25	3.20	3.6	3.90		
268	26	3.18	3.7	2.80		
307	23	4.53	3.6	3.50		
323	22	4.30	3.5	3.60		
369	19	3.77	3.4	4.40		
434	16	3.20	3.2	6.00	ERX67 ERXF67	4P
481	15	2.89	3.1	7.10		
547	13	2.54	3.0	8.90		
579	12	2.40	2.9	9.80		
681	10	2.04	2.8	13		
747	9.3	1.86	2.7	13		
863	8.1	1.61	2.6	14		
240	29	3.79	3.1	2.30		
256	27	3.55	3.0	2.40	ERN57 ERXF57	6P
290	24	3.14	2.9	2.60		
313	22	2.91	2.9	2.90		
345	20	2.64	2.8	3.30		
320	22	4.35	2.8	3.00		
367	19	3.79	2.7	3.50		
392	18	3.55	2.7	3.80		
443	16	3.14	2.6	4.00		
478	15	2.91	2.5	4.40	ERX57 ERXF57	4P
527	13	2.64	2.4	5.00		
586	12	2.37	2.3	5.60		
681	10	2.04	2.2	6.50		
724	9.6	1.92	2.2	6.90		
842	8.3	1.65	2.1	8.00		
939	7.4	1.48	2.0	8.80		
1069	6.5	1.30	1.9	9.30		
1.1kW						
0.25	42710	5692	128	0.85		
0.28	37931	5055	128	0.95		
0.31	33909	4519	128	1.10		
0.34	30487	4063	128	1.20		
0.40	26465	3527	128	1.40		
0.44	23914	3187	128	1.55		
0.51	20392	2771	128	1.771	ER177R97 ERF177R97	4P
0.55	19142	2551	128	1.90		
0.61	17123	2282	128	2.15		
0.68	15397	2052	128	2.40		
0.76	13777	1836	128	2.65		
0.52	18074	2669	114	1.00		
0.60	15792	2332	114	1.15		
0.67	14113	2084	114	1.30	ER167R97 ERF167R97	4P
0.75	12704	1876	114	1.40		
0.83	11357	1677	114	1.60		
0.97	9779	1444	114	1.85		
1.1	8736	1290	114	2.05		
1.2	7632	1127	114	2.35		
2.0	4856	717	19	0.90	ER107R77 ERF107R77	4P
2.3	4158	614	29	1.05		
2.6	3684	544	31	1.15		
2.8	3332	492	32	1.30		
3.4	2824	417	34	1.50	ER107R77 ERF107R77	4P
3.8	2499	369	34	1.70		
4.3	2187	323	35	1.95		
4.9	1930	285	35	2.25		
5.5	1713	253	35	2.50		
3.2	2919	431	20	1.05		
3.7	2567	379	23	1.15		
4.2	2275	336	24	1.30	ER97R57 ERF97R57	4P
4.7	2005	296	25	1.50		
5.6	1686	249	26	1.80		
6.0	1585	234	26	1.90		
6.7	1415	209	26	2.10		
5.2	1822	269	13	0.85	ER87R57 ERF87R57	4P
5.9	1605	237	16	0.95		
6.7	1422	210	17	1.10		
5.4	1740	257	15	0.90	ER87R57 ERF87R57	4P
6.0	1578	233	16	1.00		
7.1	1327	196	17	1.15		
2.7	3632	251.15	30	1.10		
3.0	3326	229.95	31	1.20	ER107 ERF107	8P
3.4	2958	205.16	33	1.35		
4.0	2493	172.34	34	1.60		
3.6	2804	255.71	20	1.05		
3.8	2646	241.25	21	1.10	ER97 ERF97	6P
4.2	2372	216.28	23	1.20		
4.9	2043	186.30	25	1.40		
5.5	1823	255.71	25	1.55		
5.8	1720	241.25	26	1.65		
6.5	1542	216.28	26	1.85		
7.5	1328	186.30	26	2.20	ER97 ERF97	4P
8.2	1212	170.02	27	2.30		
9.3	1075	150.78	27	2.70		
11	904	126.75	27	3.20		
12	830	116.48	27	3.40		

选型参数表
(恒功率)

Selection Table
(Constant Power)

n _a [r/min]	Ma [Nm]	i	F _{ra} [kN]	f _B	机型号 Type size	极数 Pole
1.1kW						
6.4	1550	217.48	16	0.95		
6.8	1473	206.6	16	1.00		
7.7	1301	182.56	17	1.15		
9.0	1112	156.01	18	1.35		
9.8	1020	143.03	19	1.45		
11	895	125.51	19	1.65	ER87 ERF87	4P
12	848	118.94	19	1.75		
13	742	104.1	19	2.00		
15	669	93.79	19	2.20		
17	586	82.27	19	2.50		
19	520	72.88	19	2.80		
22	456	63.96	19	3.20		
23	432	60.61	19	3.40		
26	378	53.05	19	3.90		
12	866	121.42	8.5	0.90		
14	734	102.97	10	1.05		
15	663	92.97	10	1.20		
17	583	81.80	11	1.35		
18	551	77.24	11	1.40		
21	469	65.77	11	1.65	ER77 ERF77	4P
24	411	57.68	12	1.90		
27	371	52.07	12	2.10		
31	327	45.81	12	2.40		
32	308	43.56	12	2.50		
38	263	36.83	12	3.00		
42	239	33.47	12	3.30		
16	614	86.11	6.5	0.95		
19	529	74.17	7.6	1.10		
20	497	69.75	8.0	1.15		
23	437	61.26	8.5	1.30		
25	406	56.89	8.7	1.40	ER67 ERF67	4P
27	368	51.56	8.9	1.55		
30	330	46.29	9.2	1.75		
35	284	39.88	9.4	1.95		
37	267	37.50	9.5	2.00		
43	230	32.27	10	2.20		
49	206	28.53	10	2.40		
50	201	28.13	10	2.60		
52	190	26.72	10	2.70	ER67 ERF67	4P
60	167	23.44	9.2	3.20		
70	142	19.89	8.8	4.00		
20	493	69.23	5.7	0.85		
22	462	64.85	6.5	0.90		
24	408	57.29	6.4	1.05		
26	379	53.22	6.3	1.15		
29	344	48.23	6.2	1.25	ER57 ERF57	4P
32	309	43.30	6.0	1.40		
38	266	37.30	5.8	1.60		
40	250	35.07	5.8	1.70		
46	215	30.18	5.6	2.00		
52	192	26.97	5.4	2.20		
53	188	26.31	5.4	2.30		
56	178	24.99	5.3	2.40		
64	156	21.93	5.1	2.70	ER57 ERF57	4P
75	133	18.60	4.9	3.20		
83	120	16.79	4.8	3.60		
29	340	47.75	3.3	0.85		
33	306	42.87	4.6	0.95		
38	263	36.93	4.5	1.10		
40	248	34.73	4.4	1.15	ER47 ERF47	4P
47	213	29.88	4.3	1.35		
52	190	26.70	4.2	1.50		
59	168	23.59	4.1	1.70		
60	166	23.28	4.1	1.70		
64	155	21.81	4.0	1.85		
73	137	19.27	3.9	2.00		
78	128	17.89	3.8	2.20	ER47 ERF47	4P
86	116	16.22	3.7	2.30		
96	104	14.56	3.6	2.40		
112	89	12.54	3.5	2.70		
119	84	11.79	3.4	2.80		
138	72	10.15	3.3	3.00		
154	65	9.07	3.2	3.20		
43	224	32.40	2.8	0.80		
49	198	28.73	3.1	0.95		
57	169	24.42	3.5	1.10		
73	133	19.31	3.6	1.40		
78	123	18.05	3.6	1.50		
90						

选型参数表
(恒功率)

选型参数表 (恒功率)		Selection Table (Constant Power)					
n_a [r/min]	Ma [Nm]	i	F_{ra} [kN]	f_b	机型号 Type size	极数 Pole	
1.1kW							
249	41	5.63	5.4	2.60	ERX77	4P	
262	39	5.35	5.3	2.60	ERXF77	4P	
296	35	4.73	5.1	3.50			
201	51	4.53	3.9	1.60	ERX67	6P	
212	48	4.30	3.7	2.00	ERXF67	6P	
241	42	3.77	3.7	2.00			
309	33	4.53	3.5	2.40			
326	31	4.30	3.4	2.50			
371	28	3.77	3.3	3.10			
438	23	3.20	3.1	4.20			
484	21	2.89	3.0	4.90	ERX67	4P	
551	19	2.54	2.9	6.20	ERXF67	4P	
583	18	2.40	2.9	6.80			
686	15	2.04	2.7	8.80			
753	14	1.86	2.6	9.10			
870	12	1.61	2.5	9.40			
1000	10	1.40	2.4	9.90			
240	43	3.79	3.0	1.60			
256	40	3.55	2.9	1.70	ERX57	6P	
290	35	3.14	2.8	1.80	ERXF57	6P	
313	33	2.91	2.8	2.00			
345	30	2.64	2.7	2.30			
369	28	2.39	2.6	2.40			
394	26	2.15	2.5	2.60			
446	23	1.86	2.3	3.10			
481	21	1.69	2.2	3.50			
530	19	1.48	2.1	4.20	ERX57	4P	
591	17	1.27	2.0	5.00	ERXF57	4P	
686	15	1.04	1.9	6.40			
729	14	1.02	1.9	6.40			
848	12	0.90	1.8	7.50			
946	11	0.82	1.7	8.50			
1077	9.5	0.75	1.6	10.00			
1.5kW							
0.31	46239	4519	128	0.80			
0.34	41573	4063	128	0.90			
0.40	36089	3527	128	1.00			
0.44	32610	3187	128	1.10			
0.51	28353	2771	128	1.30	ERI77R97	4P	
0.55	26102	2551	128	1.40	ERXF77R97	4P	
0.61	23350	2282	128	1.55			
0.68	20996	2052	128	1.75			
0.76	18786	1836	128	1.95			
0.98	14601	1427	128	2.50			
1.14	12514	1223	128	2.90			
0.60	21535	2332	114	0.85			
0.67	19245	2084	114	0.95			
0.75	17324	1876	114	1.05	ERI67R97	4P	
0.83	15486	1677	114	1.15	ERXF67R97	4P	
0.97	13335	1444	114	1.35			
1.11	11913	1290	114	1.55			
1.2	10407	1127	114	1.75			
1.4	9308	1008	114	1.95			
3.3	3943	427	70	3.30	ERI47R87	4P	
3.9	3352	363	70	3.90	ERXF47R87	4P	
0.83	15662	1696	90	0.85			
0.92	14101	1527	90	0.90			
1.1	12300	1332	61	1.05			
1.2	10795	1169	63	1.20			
1.4	9493	1028	65	1.35			
1.6	8071	874	67	1.60	ERI47R77	4P	
1.8	7120	771	68	1.85	ERXF47R77	4P	
2.0	6307	683	68	2.05			
2.3	5624	609	69	2.30			
2.6	5070	549	69	2.55			

选型参数表
(恒功率)

选型参数表 (恒功率)		Selection Table (Constant Power)					
n_a [r/min]	Ma [Nm]	i	F_{ra} [kN]	f_b	机型号 Type size	极数 Pole	
1.5kW							
15	904	92.97	8.1	0.85			
17	795	81.80	9.3	1.00			
18	751	77.24	10	1.05			
21	639	65.77	11	1.25			
24	561	57.68	11	1.40	ER77	4P	
27	506	52.07	11	1.55	ERF77	4P	
31	445	45.81	12	1.75			
32	421	43.26	12	1.85			
38	358	36.83	12	2.20			
42	325	33.47	12	2.40			
48	282	29.00	12	2.80			
55	245	25.23	11	3.00			
60	227	23.37	11	3.50	ER77	4P	
74	183	18.80	10	4.10	ERF77	4P	
23	595	61.26	6.9	0.95			
25	553	56.89	7.4	1.05			
27	501	51.56	8.0	1.15	ER67	4P	
30	450	46.29	8.4	1.30	ERF67	4P	
35	388	39.88	8.8	1.45			
37	365	37.50	8.8	1.50			
43	314	32.27	9.3	1.65			
49	280	28.63	9.4	1.80			
50	273	28.13	9.5	1.90			
52	260	26.72	9.4	2.00	ER67	4P	
60	228	23.89	8.6	2.30	ERF67	4P	
70	193	19.84	8.6	3.00			
78	174	17.95	8.4	3.20			
26	517	53.22	4.9	0.85			
29	469	48.23	5.7	0.90			
32	421	43.30	5.6	1.00	ER57	4P	
38	363	37.30	5.5	1.20	ERF57	4P	
40	341	35.07	5.4	1.25			
46	293	30.18	5.3	1.45			
52	262	26.97	5.1	1.65			
53	256	26.31	5.1	1.70			
56	243	24.99	5.1	1.75			
64	213	21.93	4.9	2.00			
75	181	18.60	4.7	2.40	ER57	4P	
83	163	16.79	4.6	2.60	ERF57	4P	
95	144	14.77	4.5	2.90			
100	136	13.95	4.4	3.00			
118	115	11.88	4.2	3.40			
38	359	36.93	2.3	0.80			
40	338	34.73	2.3	0.85			
47	290	29.88	2.3	1.00			
52	260	26.70	2.3	1.10			
59	229	23.59	2.3	1.25			
60	226	23.28	2.3	1.25			
64	212	21.81	2.3	1.35			
73	187	19.27	2.3	1.50			
78	174	17.89	2.3	1.60			
86	158	16.22	2.3	1.65			
96	142	14.56	2.3	1.80	ER47	4P	
112	122	12.54	2.3	1.95	ERF47	4P	
119	115	11.79	2.3	2.00			
138	99	10.15	2.2	2.20			
154	88	9.07	2.1	2.40			
175	78	8.01	2.0	2.50			
180	75	7.76	2.0	2.50			
201	68	6.96	2.0	2.80			
233	58	6.00	2.0	2.70			
248	55	5.64	2.0	2.60			
289	47	4.85	2.0	3.00			
323	42	4.34	2.0	3.30			
366	37	3.83	2.0	3.70			
73	182	19.31	2.5	1.00			
78	170	18.05	2.7	1.25			
90	147	15.60	3.0	1.25			
106	125	13.25	3.2	1.40			
118	111	11.83	3.2	1.50			
138	95	10.11	3.0	1.65			
148	89	9.47	3.0	1.75	ER37	4P	
176	75	7.97	2.8	1.95	ERF37	4P	
210	63	6.67	2.7	2.10			
247	53	5.67	2.6	2.50			
277	48	5.06	2.5	2.60			
324	41	4.32	2.4	2.90			
346	38	4.05	2.3	3.00			
411	32	3.41	2.2	3.20			
214	61	13.25	2.7	2.70			
240	55	11.83	2.7	2.90	ER37	2P	
281	47	10.11	2.5	3.20	ERF37	2P	
300	44	9.47	2.5	3.30			
356	37	7.97	2.4	3.70			
90	147	15.63	1.6	0.80			
105	125	13.28	1.9	0.95			
118	112	11.86	2.0	1.05			
138	95	10.13	1.9	1.20			
172	77	8.16	1.8	1.40			
183	72	7.63	1.8	1.45	ER27	4P	
212	62	6.59	1.7	1.60	ERF27	4P	
250	53	5.60	1.7	1.75			
280	47	5.00	1.6	1.85			
328	40	4.27	1.6	2.00			
350	38	4.00	1.5	2.10			
415	32	3.37	1.5	2.30			
239	55	11.86	1.7	2.00			
280	47	10.13	1.7	2.30			
348	38	8.16	1.6	2.70			
372	35	7.63	1.5	2.80			
431	31	6.59	1.5	3.00	ER27	2P	
507	26	5.60	1.4	3.30	ERF27	2P	
568	23	5.00	1.4	3.60			
665	20	4.27	1.3	3.80			
710	19	4.00	1.3	4.00			
843	16	3.37	1.2	4.40			
249	56	5.63	5.3	1.90			
262	53	5.35	5.2	1.90			
347	40	4.74	5.0	2.60	ERX77	4P	
378	37	4.70	4.7	4.10	ERXF77	4P	
431	32	3.25	4.5	5.50			
455	31	3.08	4.4	6.20			
519	27	2.70	4.2	7.80			
576	24	2.43	4.1	8.70			
309	45	4.53	3.4	1.80			
326	43	4.30	3.3	1.85			
371	38	3.77	3.2	2.30			
438	32	3.20	3.1	3.10			
484	29	2.89	3.0	3.60	ERX67	4P	
551	25	2.54	2.9	4.60	ERXF67	4P	
583	24	2.40	2.8	5.00			
686	20	2.04	2.7	6.70			
753	19	1.86	2.6	7.00			
870	16	1.61	2.5	7.00			
1000	14	1.40	2.4	7.30			
369	38	3.79	2.6	1.80			
394	35	3.55	2.5	1.90			
446	31	3.14	2.4	2.00	ERX57	4P	
481	29	2.91	2.4	2.30	ERXF57	4P	
530	26	2.64	2.3	2.60			
591	23	2.39	2.2	3.00			
686	20	2.15	2.1	3.50			

选型参数表
(恒功率)

选型参数表
(恒功率)

选型参数表 (恒功率)		Selection Table (Constant Power)				
n _a [r/min]	Ma [Nm]	i	F _{ra} [kN]	f _B	机型号 Type size	极数 Pole
1.5kW						
591	24	2.37	2.2	2.90		
686	20	2.04	2.1	3.30	ERX57	4P
729	19	1.92	2.1	3.50	ERX57	4P
848	16	1.65	2.0	4.10	ERX57	4P
946	15	1.48	1.9	4.50		
1077	13	1.30	1.9	4.70		
2.2kW						
0.45	47045	3202	128	0.80		
0.50	41770	2843	128	0.90		
0.57	36907	2512	128	1.00		
0.65	32470	2210	128	1.10		
0.73	28826	1962	128	1.25		
0.80	26123	1778	128	1.40	ERI77R107	4P
0.89	23655	1610	128	1.55	ERI77R107	4P
1.00	20981	1428	128	1.75	ERI77R107	4P
1.11	18968	1291	128	1.90		
1.25	16837	1146	128	2.15		
1.41	14913	1015	128	2.45		
1.56	13429	914	128	2.70		
0.45	46824	3187	128	0.80		
0.52	40712	2771	128	0.90		
0.56	37480	2551	128	1.00		
0.63	33528	2282	128	1.10	ERI77R97	4P
0.70	30149	2052	128	1.20	ERI77R97	4P
0.78	26975	1836	128	1.35	ERI77R97	4P
1.00	20966	1427	128	1.75		
1.2	17969	1223	128	2.05		
1.2	16867	1148	128	2.15		
1.3	14457	984	128	2.50		
0.85	22337	1677	114	0.80		
0.99	19147	1444	114	0.95		
1.1	17105	1290	114	1.05		
1.3	14944	1127	114	1.20	ERI167R97	4P
1.4	13366	1008	114	1.35	ERI167R97	4P
1.6	11616	876	114	1.55		
1.9	10237	772	114	1.75		
2.2	8725	658	114	2.05		
2.7	7067	533	68	1.85		
3.1	6153	464	68	2.10		
3.3	5662	427	69	2.30		
3.9	4813	363	69	2.70		
4.5	4243	320	70	3.05		
1.2	15501	1169	37	0.85	ERI147R87	4P
1.4	13631	1028	38	0.95	ERI147R87	4P
1.6	11589	874	61	1.10		
1.9	10223	771	61	1.25	ERI147R77	4P
2.1	9056	683	65	1.45	ERI147R77	4P
2.3	8075	609	66	1.60		
2.6	7280	549	67	1.75		
3.0	6378	481	68	2.00		
2.0	9375	707	42	0.85	ERI137R77	4P
2.3	8155	615	50	0.95	ERI137R77	4P
1.9	9733	734	34	0.80		
2.3	8380	632	49	0.95		
2.5	7465	563	51	1.05		
2.9	6537	493	53	1.20		
3.3	5702	430	55	1.40	ERI137R77	4P
3.7	5092	384	55	1.55	ERI137R77	4P
4.4	4309	325	56	1.85		
4.9	3885	293	57	2.05		
5.6	3395	256	57	2.35		
6.4	2944	222	57	2.70		

选型参数表
(恒功率)

选型参数表
(恒功率)

选型参数表 (恒功率)		Selection Table (Constant Power)				
n _a [r/min]	Ma [Nm]	i	F _{ra} [kN]	f _B	机型号 Type size	极数 Pole
2.2kW						
22	918	65.77	5.2	0.85		
25	805	57.68	9.1	0.95		
27	727	52.07	10	1.05		
31	639	45.81	10	1.20	ER77	4P
33	604	43.56	11	1.25	ERF77	4P
39	514	36.83	11	1.50		
43	467	33.47	11	1.65		
49	405	29.00	11	1.90		
57	352	25.23	11	2.10		
61	326	23.37	11	2.30		
67	299	21.43	11	2.60		
76	262	18.80	10	2.80	ER77	4P
80	249	17.82	10	2.90	ERF77	4P
92	218	15.60	10	3.20		
102	196	14.05	9.4	3.40		
36	557	39.88	7.2	1.00	ER67	4P
38	523	37.50	7.6	1.00	ER67	4P
44	450	32.27	8.3	1.10	ERF67	4P
50	402	28.83	8.7	1.20		
61	327	23.44	8.7	1.60		
72	278	19.89	8.3	2.00		
80	251	17.95	8.1	2.20		
91	220	15.79	7.8	2.40		
96	208	14.91	7.7	2.50		
113	177	12.70	7.4	2.80	ER67	4P
124	161	11.54	7.2	2.90	ERF67	4P
143	140	10.00	6.9	3.20		
164	121	8.70	6.6	3.40		
184	109	7.79	6.4	3.30		
38	521	37.30	4.3	0.80		
41	489	35.07	4.9	0.85	ER57	4P
47	421	30.18	4.8	1.00	ERF57	4P
53	376	26.97	4.7	1.10		
65	306	21.93	4.6	1.40		
77	260	18.60	4.4	1.60		
85	234	16.79	4.3	1.80		
97	206	14.77	4.2	2.00		
103	195	13.95	4.2	2.10	ER57	4P
120	166	11.88	4.0	2.30	ERF57	4P
133	151	10.79	3.9	2.40		
153	131	9.35	3.8	2.70		
158	126	9.06	3.8	2.80		
179	111	7.97	3.7	3.00		
108	185	26.31	4.2	2.20		
114	176	24.99	4.1	2.30		
130	154	21.93	4.0	2.70	ER57	2P
153	131	18.60	3.8	3.10	ERF57	2P
169	118	16.79	3.7	3.50		
192	104	14.77	3.6	3.80		
204	98	13.95	3.6	4.00		
74	269	19.27	3.4	1.05		
88	226	16.22	3.3	1.15		
98	203	14.56	3.2	1.20		
114	175	12.54	3.1	1.35		
121	165	11.79	3.1	1.40		
141	142	10.15	3.0	1.50		
158	127	9.07	2.9	1.65	ER47	4P
179	112	8.01	2.9	1.70	ERF47	4P
184	108	7.76	2.8	1.80		
205	97	6.96	2.7	1.55		
238	84	6.00	2.6	1.85		
254	79	5.64	2.6	1.85		
295	68	4.85	2.5	2.10		
329	61	4.34	2.4	2.30		
373	53	3.83	2.3	2.50		
122	164	23.28	3.1	1.70		
130	153	21.81	3.1	1.80		
147	135	19.27	3.0	2.00		
159	126	17.89	2.9	2.10		
173	114	16.22	2.9	2.20	ER47	2P
195	102	14.56	2.8	2.40	ERF47	2P
226	88	12.54	2.7	2.60		
241	83	11.79	2.7	2.70		
280	71	10.15	2.6	2.90		
313	64	9.07	2.5	3.20		
355	56	8.01	2.4	3.30		
92	211	15.60	1.0	0.85		
108	179	13.25	1.6	0.95		
121	160	11.83	1.9	1.05		
141	137	10.11	2.2	1.15		
151	128	9.47	2.4	1.20		
179	108	7.97	2.6	1.30	ER37	4P
214	90	6.67	2.3	1.45	ERF37	4P
252	77	5.67	2.4	1.70		
283	68	5.06	2.4	1.80		
331	58	4.32	2.3	1.95		
353	55	4.05	2.3	2.00		
419	46	3.41	2.2	2.20		
147	131	19.31	2.3	1.35		
157	123	18.05	2.4	1.45		
182	106	15.60	2.6	1.65		
214	90	13.25	2.6	1.85		
240	81	11.83	2.5	2.00		
281	69	10.11	2.4	2.20		
300	64	9.47	2.4	2.30		
356	54	7.97	2.3	2.50	ER37	2P
426	45	6.67	2.2	2.80	ERF37	2P
501	39	5.67	2.1	3.30		
561	34	5.06	2.0	3.50		
657	29	4.32	1.9	3.90		
701	28	4.05	1.9	3.90		
833	23	3.41	1.8	4.30		
141	137	10.13	1.1	0.80		
217	89	6.59	1.1	1.10		
255	76	5.60	1.3	1.20	ER27	4P
286	68	5.00	1.3	1.30	ERF27	4P
335	58	4.27	1.5	1.35		
358	54	4.00	1.4	1.45		
424	46	3.37	1.4	1.55		
214	90	13.28	1.6	1.25		
239	81	11.86	1.6	1.40		
280	69	10.13	1.6	1.55		
348	56	8.16	1.5	1.85		
372	52	7.63	1.4	1.90		

选型参数表
(恒功率)

选型参数表
(恒功率)

选型参数表 (恒功率)		Selection Table (Constant Power)					
n_a [r/min]	M_a [Nm]	i	F_{ra} [kN]	f_b	机型号 Type size	极数 Pole	
2.2kW							
379	54	3.77	3.1	1.55			
447	46	3.20	3.0	2.10			
495	41	2.89	2.9	2.50			
563	36	2.54	2.8	3.10	ERX67	4P	
596	34	2.40	2.7	3.40	ERXF67		
701	29	2.04	2.6	4.40			
769	27	1.86	2.5	4.60	ER107R77	4P	
888	23	1.61	2.4	4.80			
1021	20	1.40	2.3	5.00			
455	45	3.14	2.3	1.40			
542	38	2.64	2.2	1.75			
603	34	2.37	2.2	1.95			
701	29	2.04	2.1	2.30	ERX57	4P	
745	28	1.92	2.0	2.40	ERXF57		
867	24	1.65	2.0	2.80			
966	21	1.48	1.9	3.10			
1100	19	1.30	1.8	3.20			
3.0kW							
0.65	44277	2210	128	0.85			
0.73	39309	1962	128	0.95			
0.80	35622	1778	128	1.05			
0.89	32256	1610	128	1.15			
1.0	28610	1428	128	1.30			
1.1	25865	1291	128	1.40	ER177R107	4P	
1.2	23960	1146	128	1.60	ER177R107		
1.4	20335	1015	128	1.80			
1.6	18312	914	128	2.00			
1.8	16248	811	128	2.25			
1.9	14706	734	128	2.50			
2.2	13283	663	128	2.75			
0.63	45720	2282	128	0.80			
0.70	41112	2052	128	0.90			
0.78	36784	1836	128	1.00			
1.0	28590	1427	128	1.30	ER177R97	4P	
1.2	24503	1223	128	1.50	ER177R97		
1.2	23000	1148	128	1.60			
1.5	19714	984	128	1.85			
1.8	15828	790	128	2.30			
2.0	14145	706	128	2.60			
1.3	20378	1127	114	0.90			
1.4	18226	1008	114	1.00			
1.6	15839	876	114	1.15	ER167R97	4P	
1.9	13959	772	114	1.30	ER167R97		
2.2	11898	658	114	1.50			
2.8	9258	512	114	1.95			
2.7	9637	533	65	1.35			
3.1	8390	464	66	1.55			
3.3	7721	427	67	1.65	ER147R87	4P	
3.9	6564	363	68	1.95	ER147R87		
4.5	5786	320	69	2.25			
5.1	5081	281	69	2.55			
1.6	13803	874	25	0.80			
1.9	113941	771	52	0.95	ER147R77	4P	
2.1	12350	683	60	1.05	ER147R77		
2.3	11012	609	62	1.15			
2.6	9927	549	64	1.30			
2.9	8914	493	66	0.90			
3.3	7775	430	51	1.00			
3.7	6943	384	52	1.15			
4.4	5877	325	54	1.35			
4.9	5298	293	55	1.50			
5.6	4629	256	56	1.70			
6.4	4014	222	56	2.00			

选型参数表
(恒功率)

选型参数表
(恒功率)

选型参数表 (恒功率)		Selection Table (Constant Power)					
n_a [r/min]	M_a [Nm]	i	F_{ra} [kN]	f_b	机型号 Type size	极数 Pole	
3.0kW							
41	658	34.55	17	2.10			
45	600	31.53	17	2.40			
51	552	27.96	17	2.70			
61	447	23.51	16	3.20	ER87	4P	
66	411	21.60	15	3.40	ERF87		
75	365	19.18	15	3.70			
83	326	17.15	14	4.00			
93	293	15.42	14	4.30			
31	872	45.81	8.2	0.85			
33	823	43.26	8.8	0.95			
39	701	36.83	10	1.10	ER77	4P	
43	637	33.47	10	1.20	ERF77		
49	552	29.00	11	1.40			
57	480	25.23	11	1.50			
61	445	23.37	11	1.70			
67	408	21.43	10	1.85			
76	358	18.80	10	2.00			
80	339	17.82	10	2.10			
92	297	15.60	9.5	2.30	ER77	4P	
102	267	14.05	9.2	2.50	ERF77		
116	235	12.33	8.9	2.70			
131	207	10.88	8.6	3.00			
148	183	9.64	8.3	3.20			
166	163	8.59	8.1	3.60			
185	147	7.74	7.8	3.80			
211	129	6.79	7.5	4.20			
61	446	23.44	8.3	1.45			
72	379	19.89	8.0	1.45			
80	342	17.95	7.8	1.60			
91	301	15.79	7.6	1.75	ER67	4P	
96	284	14.91	7.5	1.80	ERF67		
113	242	12.70	7.2	2.00			
124	220	11.54	7.0	2.10			
143	190	10.00	6.7	2.30			
53	513	26.97	4.1	0.80	ER57	4P	
65	417	21.93	4.2	1.00	ERF57		
77	354	18.60	4.1	1.20			
85	320	16.79	4.0	1.30			
97	281	14.77	4.0	1.45			
103	266	13.95	3.9	1.50			
120	226	11.88	3.8	1.65			
133	205	10.79	3.7	1.75	ER57	4P	
153	178	9.35	3.6	1.95	ERF57		
158	172	9.06	3.6	2.00			
179	152	7.97	3.5	2.20			
190	143	7.53	3.5	2.30			
223	122	6.41	3.3	2.60			
246	111	5.82	3.3	2.70			
283	96	5.05	3.1	3.00			
326	84	4.39	3.0	3.10			
131	208	21.93	3.8	2.00			
154	176	18.60	3.6	2.40			
171	159	16.79	3.5	2.60	ER57	2P	
194	140	14.77	3.4	2.90	ERF57		
206	132	13.95	3.4	3.00			
242	113	11.88	3.3	3.30			
266	102	10.79	3.2	3.50			
88	309	16.22	1.9	0.85			
98	277	14.26	2.4	0.90	ER47	4P	
114	239	12.54	2.9	0.95	ERF47		
121	224	11.79	2.9	1.00			
141	193	10.15	2.8	1.10			
151	175	9.47	1.0	0.85			
179	147	7.97	1.4	0.95	ER37	4P	
214	123	6.67	1.2	1.05	ERF37		
252	105	5.67	1.5	1.25			
283	93	5.06	1.7	1.30			
331	80	4.32	2.0	1.45			
353	75	4.05	2.0	1.45			
419	63	3.41	2.1	1.60			
284	93	10.11	2.2	1.65			
303	87	9.47	2.3	1.70			
360	73	7.97	2.2	1.90			
430	61	6.67	2.1	2.10	ER37	2P	
506	52	5.67	2.0	2.50	ERF37		
567	46	5.06	1.9	2.60			
664	40	4.32	1.9	2.80			
709	37	4.05	1.8	3.00			
842	31	3.41	1.7	3.20			
255	103	5.60	0.3	0.85			
286	92	5.00	0.6	0.95	ER27	4P	
358	79	4.27	0.9	1.00	ERF27		
424	62	3.37	1.2	1.15			
436	61	6.59	1.2	1.55			
513	51	5.60	1.3	1.75			
574	46	5.00	1.2	1.85	ER27	2P	
672	39	4.27	1.2	2.00	ERF27		
718	37	4.00	1.2	2.10			
852	31	3.37	1.1	2.30			
222	126	6.45	6.8	1.45			
257	109	5.56	6.5	2.00	ERX87	4P	
282	99	5.07	6.3	2.40	ERXF87		
318	88	4.50	6.1	3.20			
378	74	3.78	5.8	3.90			
302	92	4.73	4.8	1.25			
354	79	4.04	4.6	1.75	ERX77	4P	
386	72	3.70	4.5	2.00	ERXF77		
440	63	3.25	4.3	2.70			
464	60	3.08	4.3	3.10			
379	74	3.77	3.0	1.15			
447	63	3.20	2.9	1.55	ERX67	4P	
495	56	2.89	2.8	1.80	ERF67		
563	50	2.54	2.7	2.30			

选型参数表
(恒功率)

选型参数表 (恒功率)		Selection Table (Constant Power)				
n_a [r/min]	Ma [Nm]	i	F_{ra} [kN]	f_b	机型号 Type size	极数 Pole
3.0kW						
596	47	2.40	2.7	2.50		
701	40	2.04	2.6	3.20	ERX67	4P
769	36	1.86	2.5	3.30	ERXF67	
888	31	1.61	2.4	3.50		
1021	27	1.40	2.3	3.60		
455	61	3.14	2.2	1.00		
542	52	2.64	2.1	1.30		
603	46	2.37	2.1	1.40		
701	40	2.04	2.0	1.65	ERN57	4P
745	38	1.92	2.0	1.75	ERN57	
867	32	1.65	1.9	2.00	ERXF57	
966	29	1.48	1.8	2.20		
1100	25	1.30	1.8	2.40		
4.0kW						
0.89	43008	1610	128	0.85		
1.0	38147	1428	128	0.95		
1.1	34487	1291	128	1.05		
1.3	30613	1146	128	1.20		
1.4	27114	1015	128	1.35	ERI77R107	4P
1.6	24416	914	128	1.50	ERI77R107	
1.8	21664	811	128	1.70		
2.0	19608	734	128	1.85		
2.2	17711	663	128	2.05		
2.6	15013	562	128	2.45		
2.9	13330	499	128	2.75		
3.0	12707	479	128	2.90		
1.6	20973	876	114	0.85		
1.9	18483	772	114	0.95		
2.2	15753	658	114	1.15		
2.8	12258	512	114	1.45	ERI67R97	4P
3.8	9050	378	114	2.00	ERI67R97	
4.3	8092	338	114	2.20		
2.7	12761	533	59	1.00		
3.1	11109	464	63	1.20	ERI47R87	4P
3.4	10223	427	64	1.25	ERI47R87	
4.0	8691	363	66	1.50		
4.5	7661	320	67	1.70		
5.1	6728	281	68	1.95		
5.8	5937	248	69	2.20	ERI47R87	4P
6.7	5171	216	69	2.50	ERI47R87	
7.8	4429	185	70	2.95		
8.9	3855	161	70	3.35		
2.4	14580	609	44	0.90		
2.6	13144	549	58	1.00	ERI47R77	4P
3.0	11516	481	61	1.15	ERI47R77	
3.5	9912	414	64	1.30		
3.8	9193	384	64	0.85		
4.4	7781	325	51	1.05	ERI37R77	4P
4.9	7015	293	52	1.15	ERI37R77	
5.6	6129	256	54	1.30		
6.5	5315	222	55	1.50		

选型参数表
(恒功率)

选型参数表 (恒功率)		Selection Table (Constant Power)				
n_a [r/min]	Ma [Nm]	i	F_{ra} [kN]	f_b	机型号 Type size	极数 Pole
4.0kW						
39	932	37.00	17	1.55	ER87	4P
44	827	32.80	17	1.75	ERF87	
51	706	28.00	16	2.00		
42	871	34.55	17	1.60		
46	795	31.53	17	1.85		
52	705	27.96	16	2.10		
61	592	23.51	15	2.50		
67	544	21.60	15	2.60	ER87	4P
75	483	19.18	14	2.80	ERF87	
84	432	17.15	14	3.00		
93	389	15.42	14	3.20		
108	337	13.38	13	3.60		
120	302	11.98	13	3.80		
39	928	36.83	3.9	0.85		
43	843	33.47	8.6	0.90	ER77	4P
50	731	29.00	10	1.05	ERF77	
57	636	25.23	10	1.15		
62	589	23.37	10	1.30		
67	540	21.43	10	1.40		
77	474	18.80	10	1.55		
81	449	17.82	9.5	1.65		
92	393	15.00	9.1	1.75		
102	354	14.05	8.9	1.90		
117	311	12.33	8.6	2.10	ER77	4P
132	274	10.88	8.3	2.30	ERF77	
149	243	9.64	8.1	2.40		
168	216	8.59	7.9	2.70		
186	195	7.74	7.7	2.90		
212	171	6.79	7.4	3.20		
240	151	5.99	7.1	3.30		
271	134	5.31	6.9	3.60		
72	501	19.89	7.6	1.10		
80	452	17.95	7.4	1.20		
91	398	15.79	7.2	1.30		
97	376	14.91	7.1	1.35		
113	320	12.70	6.9	1.50		
125	291	11.54	6.7	1.60		
144	252	10.00	6.5	1.75	ER67	4P
166	219	8.70	6.3	1.90	ERF67	
185	196	7.79	6.1	1.80		
196	185	7.36	6.0	1.85		
230	158	6.27	5.8	1.95		
253	144	5.70	5.6	2.00		
292	124	4.93	5.4	2.20		
336	108	4.29	5.2	2.30		
77	469	18.60	3.3	0.90		
86	423	16.79	3.6	1.00		
97	372	14.77	3.6	1.10		
103	352	13.95	3.6	1.15		
121	299	11.88	3.5	1.25		
133	272	10.79	3.5	1.35		
154	236	9.35	3.4	1.45	ER57	4P
159	228	9.06	3.4	1.55	ERF57	
181	201	7.97	3.3	1.65		
191	190	7.53	3.3	1.75		
225	162	6.41	3.2	1.95		
247	147	5.82	3.1	2.00		
285	127	5.05	3.0	2.20		
328	111	4.39	2.9	2.40		
142	256	10.15	1.9	0.85	ER47	4P
159	229	9.07	2.2	0.90	ERF47	
180	202	8.01	2.5	0.95		
5.5kW						
1.3	42093	1146	128	0.85		
1.4	37282	1015	128	1.00		
1.6	33572	914	128	1.10		
1.8	29789	811	128	1.20		
2.0	26960	734	128	1.35		
2.2	24353	663	128	1.50	ERI77R107	4P
2.6	20643	569	128	1.75	ERI77R107	
2.9	18329	499	128	2.00		
3.4	15721	428	128	2.30		
3.8	14105	384	128	2.60		
4.1	12746	347	128	2.85		

选型参数表
(恒功率)

选型参数表 (恒功率)		Selection Table (Constant Power)					
n _a [r/min]	Ma [Nm]	i	F _{ra} [kN]	f _B	机型号 Type size	极数 Pole	
5.5kW							
1.2	44610	1223	128	0.80			
1.3	41874	1148	128	0.85			
1.5	35892	984	128	1.00			
1.8	28816	790	128	1.25			
2.0	25752	706	128	1.40			
2.3	22506	617	128	1.65			
2.7	19514	535	128	1.90			
3.0	17472	479	128	2.10			
3.2	16560	454	128	2.20			
3.5	14809	406	128	2.45			
4.1	12912	354	128	2.80			
2.2	21661	658	114	0.85			
2.5	19060	579	114	0.95			
2.8	16855	512	114	1.05			
3.3	13453	436	114	1.25			
3.8	12444	378	114	1.45			
4.3	11127	338	114	1.60			
4.7	10139	308	114	1.80			
5.1	9217	280	114	1.95			
3.1	15275	464	142	0.85			
3.4	14057	427	142	0.90			
4.0	11950	363	142	1.10			
4.5	10534	320	142	1.25			
5.1	9250	281	142	1.40			
5.8	8164	248	142	1.60			
6.9	6913	210	142	1.90			
7.8	6090	185	142	2.15			
3.6	13967	401	153	1.28			
3.9	12706	363	153	1.38			
4.4	11406	314	153	1.55			
5.1	10443	281	153	1.75			
3.8	12970	387	114	1.30			
4.7	10511	336	114	1.60			
5.1	9716	307	114	1.75			
5.9	8498	262	114	2.00			
4.4	11332	363	110	1.10			
4.9	10170	326	110	1.20			
6.0	8262	248	110	1.45			
6.6	7533	222	110	1.60			
5.9	8409	263	110	1.45			
6.5	7627	236	110	1.60			
8.1	6197	192	110	2.00			
8.8	5649	180	110	2.20			
10	4926	157	110	2.50			
12	4333	137	110	2.80			
5.6	8897	328	42	0.85			
6.3	7894	294	42	0.95			
7.0	7163	263	42	1.05			
8.1	6158	222	42	1.20			
5.5	9079	274	41	0.85			
6.1	8138	248	41	0.95			
6.8	7347	222	41	1.05			
7.5	6673	198	41	1.15			
8.4	5920	173	41	1.30			
9.3	5372	153	41	1.40			
6.5	7726	222	50	1.00			
7.6	6541	188	50	1.15			
8.2	6063	174	50	1.25			
9.2	5425	156	50	1.55			
10	4898	141	50	1.55			
11	4449	128	50	1.70			
13	3947	113	50	1.90			
14	3614	104	50	2.00			
16	3147	90	50	2.20			
18	2744	79	50	2.40			
20	2400	70	50	2.60			
22	2100	63	50	2.80			
24	1840	57	50	3.00			
26	1610	52	50	3.20			
28	1410	47	50	3.40			
30	1230	43	50	3.60			
32	1080	40	50	3.80			
34	950	37	50	4.00			
36	830	34	50	4.20			
38	720	32	50	4.40			
40	620	30	50	4.60			
42	530	28	50	4.80			
44	450	26	50	5.00			
46	380	24	50	5.20			
48	320	22	50	5.40			
50	270	20	50	5.60			
52	230	18	50	5.80			
54	190	17	50	6.00			
56	160	16	50	6.20			
58	140	15	50	6.40			
60	120	14	50	6.60			
62	100	13	50	6.80			
64	85	12	50	7.00			
66	72	11	50	7.20			
68	60	10	50	7.40			
70	50	9	50	7.60			
72	42	8	50	7.80			
74	35	7	50	8.00			
76	29	6	50	8.20			
78	24	5	50	8.40			
80	20	4	50	8.60			
82	17	4	50	8.80			
84	14	3	50	9.00			
86	12	3	50	9.20			
88	10	2	50	9.40			
90	8	2	50	9.60			
92	7	2	50	9.80			
94	6	1	50	10.00			
96	5	1	50	10.20			
98	4	1	50	10.40			
100	3	1	50	10.60			
102	2	1	50	10.80			
104	2	1	50	11.00			
106	2	1	50	11.20			
108	2	1	50	11.40			
110	2	1	50	11.60			
112	2	1	50	11.80			
114	2	1	50	12.00			
116	2	1	50	12.20			
118	2	1	50	12.40			
120	2	1	50	12.60			
122	2	1	50	12.80			
124	2	1	50	13.00			
126	2	1	50	13.20			
128	2	1	50	13.40			
130	2	1	50	13.60			
132	2	1	50	13.80			
134	2	1	50	14.00			
136	2	1	50	14.20			
138	2	1	50	14.40			
140	2	1	50	14.60			
142	2	1	50	14.80			
144	2	1	50	15.00			
146	2	1	50	15.20			
148	2	1	50	15.40			
150	2	1	50	15.60			
152	2	1	50	15.80			
154	2	1	50	16.00			
156	2	1	50	16.20			
158	2	1	50	16.40			
160	2	1	50	16.60			
162	2	1	50	16.80			
164	2	1	50	17.00			
166	2	1	50	17.20			
168	2	1	50	17.40			
170	2	1	50	17.60			
172	2	1	50	17.80			
174	2	1	50	18.00			
176	2	1	50	18.20			
178	2	1	50	18.40			
180	2	1	50	18.60			
182	2	1	50	18.80			
184	2	1	50	19.00			
186	2	1	50	19.20			
188	2	1	50	19.40			
190	2	1	50	19.60			
192	2	1	50	19.80			
194	2	1	50	20.00			
196	2	1	50	20.20			
198	2	1	50	20.40			
200	2	1	50	20.60			
202	2	1	50	20.80			
204	2	1	50	21.00			
206	2	1	50	21.20			
208	2	1	50	21.40			
210	2	1	50	21.60			
212	2	1	50	21.80			
214	2	1	50	22.00			
216	2	1	50	22.20			
218	2	1	50	22.40			
220	2	1	50	22.60			
222	2	1	50	22.80			
224	2	1	50	23.00			
226	2	1	50	23.20			
228	2	1	50	23.40			
230	2	1	50	23.60			
232	2	1	50	23.80			
234	2	1	50	24.00			
236	2	1	50	24.20			
238	2	1	50	24.40			
240	2	1	50	24.60			
242	2	1	50	24.80			
244	2	1	50	25.00			
246	2	1	50	25.20			
248	2	1	50	25.40			
250	2	1	50	25.60			
252	2	1	50	25.80			
254	2	1	50	26.00			
256	2	1	50	26.20			
258	2	1	50	26.40			
260	2	1	50	26.60			
262	2	1	50	26.80			
264	2	1	50	27.00			
266	2	1	50	27.20			
268	2	1	50	27.40			
270	2	1	50	27.60			
272	2	1	50	27.80			
274	2	1	50	28.00			
276	2	1	50	28.20			
278	2	1	50	28.40			
280	2	1	50	28.60			
282	2	1	50	28.80			
284	2	1	50	29.00			
286	2	1	50	29.20			

选型参数表
(恒功率)

11.0kW		15.0kW		11.0kW		15.0kW		Selection Table (Constant Power)					
n_a [r/min]	M_a [Nm]	i	F_{ra} [kN]	f_b	机型号 Type size	极数 Pole	n_a [r/min]	M_a [Nm]	i	F_{ra} [kN]	f_b	机型号 Type size	极数 Pole
18	5563	81.38	54	1.35			281	364	5.19	8.6	1.85		
20	5052	73.91	55	1.50			314	326	4.65	8.3	2.00		
22	4483	65.58	56	1.70	ER137	4P	348	295	4.20	8.1	2.70	ERX107	4P
25	4068	59.51	56	1.85	ER137	4P	383	267	3.81	7.9	3.00	ERXF107	4P
29	3496	51.15	57	2.20	ERF137		432	237	3.38	7.7	3.40		
33	3052	44.65	57	2.50			476	215	3.07	7.5	3.70		
39	2589	37.87	57	2.90			553	185	2.64	7.2	4.30		
44	2263	33.10	58	3.30			623	157	2.32	6.8	5.00		
22	4484	65.60	23	0.90			361	283	4.04	6.6	2.00		
25	4061	59.41	26	1.00			401	255	3.64	6.5	2.20		
28	3601	52.68	26	1.10	ER107	4P	442	232	3.30	6.3	2.50		
31	3256	47.63	25	1.25	ERF107		500	205	2.92	6.1	2.80	ERX97	4P
36	2759	40.37	24	1.45			553	185	2.64	6.0	3.10	ERXF97	4P
41	2410	35.26	24	1.65			652	157	2.24	5.7	3.60		
50	2016	29.49	23	2.00			745	138	1.96	5.5	4.00		
47	2103	30.77	23	1.90			890	115	1.64	5.2	4.20		
53	1885	27.58	22	2.10			1028	100	1.42	5.0	4.40		
59	1702	24.90	22	2.40	ER107	4P	420	244	3.48	4.8	1.60		
65	1546	22.62	21	2.60	ERF107		472	217	3.09	4.7	1.80		
73	1372	20.07	21	2.90			529	194	2.76	4.6	2.00		
80	1245	18.21	20	3.20			589	174	2.48	4.4	2.20	ERX87	4P
34	2924	42.78	14	0.95			679	151	2.15	4.3	2.50	ERXF87	4P
39	2538	37.13	18	1.10	ER97	4P	756	135	1.93	4.2	2.50		
44	2273	33.25	18	1.20	ERF97		913	112	1.60	4.0	2.70		
53	1885	27.58	17	1.35			1050	98	1.39	3.8	2.90		
58	1711	25.03	17	1.55			601	171	2.43	1.8	1.20		
65	1529	22.37	16	1.65			685	149	2.13	2.0	1.30	ERX77	4P
72	1377	20.14	16	1.80			777	132	1.88	2.2	1.35	ERXF77	4P
80	1247	18.24	16	1.90			874	117	1.67	2.3	1.40		
90	1105	16.17	15	2.00			1028	100	1.42	2.5	1.50		
100	999	14.62	15	2.20	ER97	4P	3.0	46998	479	128	0.80		
118	847	12.39	14	2.40	ERF97		3.4	42875	428	128	0.85		
135	740	10.83	14	2.70			3.8	38467	384	128	0.95		
157	635	9.29	14	3.00			4.2	34761	347	128	1.05		
174	573	8.39	13	3.30			4.6	31555	315	128	1.15		
205	487	7.12	13	3.80			5.2	27949	279	128	1.30	ER177R107	4P
235	424	6.21	12	4.20			5.7	25444	254	128	1.45	ERF177R107	4P
68	1476	21.60	13	0.95			6.7	21838	218	128	1.70		
76	1311	19.18	12	1.05			7.7	19033	190	128	1.90		
85	1172	17.15	12	1.10			9.1	16128	161	128	2.25		
95	1054	15.42	12	1.20			3.0	46998	479	128	0.80		
109	915	13.38	12	1.30			3.2	44545	454	128	0.80	ER177R97	4P
122	819	11.98	11	1.40	ER87	4P	3.6	39833	406	128	0.90	ERF177R97	4P
147	679	9.94	11	1.65	ERF87		4.1	34733	354	128	1.05		
170	625	9.14	11	1.80			4.8	29729	303	128	1.20		
178	562	8.22	11	1.95			6.3	20632	233	114	0.85	ER167R107	4P
205	487	7.13	10	2.10			7.2	18064	204	114	1.00	ERF167R107	4P
228	437	6.39	10	2.20			8.5	15231	172	114	1.20		
275	362	5.30	9	2.30			6.4	20189	228	114	0.90	ER167R107	4P
134	744	10.88	4	0.85			7.3	17621	199	114	1.00	ERF167R107	4P
151	659	9.64	4	0.90			4.0	34178	183.34	128	1.00		
189	529	7.74	4	1.10	ER77	4P	4.4	30682	164.59	128	1.15	ERF77	8P
215	464	6.79	5	1.15	ERF77		5.0	27007	144.87	128	1.30	ERF177	
244	409	5.99	5	1.25			5.7	23724	127.26	128	1.45		
275	363	5.31	5	1.30			4.8	28274	201.53	128	1.25		
224	469	6.52	16	2.45			5.3	25721	183.34	128	1.35	ER177	6P
247	425	5.91	12	3.20			5.9	23091	164.59	128	1.50	ERF177	
273	385	5.35	12	3.65	ERX137	4P	6.7	20325	144.87	128	1.70		
304	345	4.80	10	3.85	ERF137		7.6	17854	127.26	128	1.95		
374	281	3.90	6	4.80	ERX137								
410	256	3.56	6.0	5.60	ERF137								

选型参数表
(恒功率)

15.0kW		15.0kW		15.0kW		Selection Table (Constant Power)							
n_a [r/min]	M_a [Nm]	i	F_{ra} [kN]	f_b	机型号 Type size	极数 Pole	n_a [r/min]	M_a [Nm]	i	F_{ra} [kN]	f_b	机型号 Type size	极数 Pole
7.2	18785	201.53	128	1.85			53	2570.7	27.58	16	1.00	ER97	4P
8.0	17089	183.34	128	2.05	ER177	4P	58	2333	25.03	15	1.15	ERF97	4P
8.9	15341	164.59	128	2.25	ERF177		65	2085	22.37	15	1.25		
10	13503	144.87	128	2.60			72	1877	20.14	15	1.30		
11	11862	127.26	128	2.90			80	1700	18.24	15	1.40		
6.4	21277	151.66	114	0.80	ER167	6P	90	1507	16.17	14	1.50	ER97	4P
6.9	19670	140.20	114	0.85	ERF167		100	1363	14.62	14	1.60	ERF97	4P
7.9	17203	122.62	114	1.00			118	1155	12.39	14	1.80		
9.2	14713	104.87	114	1.15			135	1009	10.83	13	1.95		
6.3	21577	231.49	114	0.80			157	866	9.29	13	2.20		
7.8	17444	187.15	114	1.00			174	782	8.39	13	2.50		
9.6	14136	151.66	114	1.20			205	664	7.12	12	2.90		
10	13068	140.20	114	1.30	ER167	4P	235	579	6.21	12	3.10		
12	11429	122.62	114	1.50	ERF167		281	485	5.20	17	3.70		
14	9775	104.87	114	1.70			85	1599	17.15	11	0.85		
16	8684	93.17	114	1.95			95	1437	15.42	11	0.90		
18	7763	83.28	114	2.20			109	1247	13.38	11	1.00		
20	6833	73.31	114	2.50			122	1117	11.98	11	1.05	ER87	4P
22	6318	67.78	114	2.70			147	927	9.94	10	1.20	ERF87	4P
8.9	15249	108.69	33	0.80	ER147	6P	160	852	9.14	10	1.35		
10	13296	94.77	33	0.95	ERF147		178	766	8.22	10	1.45		
12	11697	83.37	33	1.10			205	665	7.13	10	1.55		
14	9943	70.87	33	1.20			228	596	6.39	10	1.65		
15	9372	66.80	33	1.30			275	494	5.30	9.1	1.75		
8.9	15241	163.51	34	0.80			224	640	6.52	9.6	1.80		
9.9	13678	146.74	34	0.90			247	580	5.91	12	2.35		
12	11113	119.22	62	1.10			273	525	5.35	12	2.65		
13	10131	108.69	63	1.20			304	471	4.80	10	2.80	ERX137	4P
15	8834	94.77	65	1.40			374	383	3.90	6.0	3.50	ERXF137	4P
18	7771	83.37	66	1.60	ER147	4P	410	349	3.56	5.9	4.15		
21	6606	70.87	68	1.85	ERF147		471	304	3.10	5.9	4.90		
22	6226	66.80	68	2.00			535	268	2.73	6.5	5.20		
24	5677	60.90	68	2.20			629	228	2.32	6.1	5.35		
28	4949	53.09	69	2.50			281	497	5.19	8.0	1.35		
31	4354	46.71	69	2.80			314	445	4.65	7.8	1.50		
37	3700	39.70	69	3.30			348	402	4.20	7.7	2.00		
42	3260	34.97	69	3.70			383	365	3.81	7.5	2.20		
14	9634	103.36	29	0.80			432	323	3.38	7.3	2.50	ERX107	4P
16	8282	88.85	48	0.90			476	294	3.07	7.2	2.80	ERXF107	4P
18	7585	81.38	51	1.00			553	253	2.64	6			

选型参数表
(恒功率)

选型参数表 (恒功率)		Selection Table (Constant Power)				
n _a [r/min]	Ma [Nm]	i	F _{ra} [kN]	f _B	机型号 Type size	极数 Pole
45kW						
438	957	3.38	1.3	0.85		
482	869	3.07	2.0	0.90		
561	748	2.64	2.8	1.10	ERX107	
643	651	2.30	3.5	1.25	ERX107	4P
759	552	1.95	4.0	1.35		
865	484	1.71	4.3	1.40		
1028	408	1.44	4.6	1.55		
55kW						
12	42906	127.26	128	0.80		
13	38874	115.30	128	0.90		
15	34359	101.91	128	1.00		
16	30733	91.15	128	1.15		
19	26343	78.13	128	1.30	ERI177	4P
23	21490	63.74	128	1.60	ERI177	
26	19222	57.01	128	1.80		
30	16476	48.87	128	2.10		
38	13257	39.32	128	2.60		
43	11524	34.18	128	3.00		
54	9195	27.27	116	2.15		
63	7869	23.34	116	2.65	ERI177	4P
71	7051	20.91	105	3.55	ERI177	
88	5680	16.85	105	4.70		
25	19983	59.27	114	0.85		
29	17090	50.69	114	1.00		
33	15185	45.04	114	1.15	ERI167	4P
37	13574	40.26	114	1.25	ERI167	
42	11800	35.00	114	1.45		
52	9575	28.40	114	1.80		
60	8264	24.51	114	2.10		
62	8095	24.01	114	1.60		
69	7249	21.50	114	1.65		
78	6409	19.01	114	2.40	ERI167	4P
87	5732	17.00	114	2.50	ERI167	
102	4912	14.57	114	3.50		
124	4022	11.93	114	4.00		
32	15748	46.71	25	0.80	ERI147	4P
37	13385	39.70	55	0.90	ERI147	
42	11790	34.97	60	1.00	ERI147	
49	10216	30.30	63	1.20		
61	8125	24.10	66	1.40		
72	6891	20.44	68	1.65		
85	5893	17.48	68	1.65		
95	5236	15.53	69	2.30		
107	4680	13.88	69	2.50		
123	4069	12.07	70	3.00	ERI147	4P
151	3301	9.79	70	3.80	ERI147	
201	2485	7.37	70	3.40		
247	2016	5.98	69	4.10		
76	6534	19.38	45	1.20		
87	5748	17.05	46	1.35		
102	4885	14.49	46	1.55		
116	4302	12.76	47	1.75	ERI137	4P
134	3729	11.06	46	2.10	ERI137	
168	2967	8.80	46	2.50		
199	2512	7.45	46	1.90		
229	2175	6.45	45	2.20		
288	1730	5.13	43	2.50		
477	1100	3.10	6.5	1.35	ERX137	4P
542	969	2.73	6.9	1.45	ERX137	
638	823	2.32	5.9	1.50		
725	724	2.04	6.0	1.65		

选型参数表
(恒功率)

选型参数表 (恒功率)		Selection Table (Constant Power)				
n _a [r/min]	Ma [Nm]	i	F _{ra} [kN]	f _B	机型号 Type size	极数 Pole
90kW						
73	11201	20.44	62	1.00		
85	9579	17.48	64	1.00		
96	8510	15.53	66	1.45		
107	7606	13.88	67	1.55		
123	6614	12.07	68	1.85	ERI147	4P
152	5365	9.79	69	2.30	ERI147	
176	4631	8.45	69	2.70		
202	4039	7.37	67	2.10		
249	3277	5.98	65	2.50		
287	2828	5.16	63	3.00		
110kW						
26	38186	57.01	128	0.90		
30	32731	48.87	128	1.05	ERI177	4P
38	26336	39.32	128	1.30	ERI177	
44	22893	34.18	128	1.50		
64	15632	23.34	116	1.35		
71	14007	20.91	116	1.80		
88	11283	16.85	105	2.35	ERI177	4P
97	10304	15.38	105	2.55	ERI177	
107	9327	13.93	105	3.10		
121	8280	12.36	98	3.70		
148	6726	10.04	85	5.10		
52	19022	28.40	111	0.90	ERI167	4P
61	16416	24.51	111	1.05	ERI167	
160kW						
88	16412	16.85	116	1.60		
97	14988	15.38	105	1.75	ERI177	4P
107	13567	13.93	105	2.15	ERI177	
121	12044	12.36	98	2.50		
148	9784	10.04	85	3.50		

选型参数表
(恒扭矩)

Selection Table
(Constant Torque)

Mamax [Nm]	n _a [r/min]	i	F _{ra} [kN]	机型号 Type size	P [kW]/4P	Mamax [Nm]	n _a [r/min]	i	F _{ra} [kN]	机型号 Type size	P [kW]/4P	
130	0.16	8612	4			200	4.8	289	4.7	ER37R17	0.18	
	0.19	7425	4		ER37R17							
	0.20	6921	4		ERE37R17							
	0.23	6050	4									
	0.27	5217	4		ER37R17							
	0.30	4661	4		ERE37R17							
	0.34	4073	4									
	0.40	3516	4		ER37R17	0.25						
	0.44	3160	4		ERE37R17							
	0.50	2763	4									
	0.58	2414	4		ER37R17							
	0.66	2110	4		ERE37R17							
	0.76	1822	4									
	0.88	1580	4			300						
	0.95	1464	4									
	1.1	1270	4									
	1.3	1100	4									
	1.4	972	4		ER47R37							
	1.7	840	4		ERE47R37							
	1.9	741	4									
	2.1	654	4		ER27R17	0.12						
2.5	566	4		ERE27R17								
2.8	499	4										
3.2	440	4										
3.6	381	4										
4.2	329	4										
4.8	290	4										
5.4	256	4										
6.1	227	4										
6.8	203	4										
7.8	179	4										
8.9	156	4		ER27R17	0.18							
10	135	4		ERE27R17								
12	118	4										
13	104	4		ER27R17								
15	90	4		ERE27R17								
16	85	4										
200	0.16	8595	4.7			450	0.10	13598	5.1			0.12
	0.19	7411	4.7									
	0.20	6907	4.7									
	0.23	6038	4.7									
	0.27	5206	4.7									
	0.30	4651	4.7									
	0.34	4065	4.7									
	0.38	3658	4.7									
	0.44	3154	4.7									
	0.50	2757	4.7									
	0.58	2409	4.7									
	0.66	2106	4.7									
	0.76	1818	4.7									
	0.88	1576	4.7									
	1.0	1359	4.7									
	1.1	1267	4.7									
	1.3	1098	4.7									
	1.4	970	4.7									
	1.7	839	4.7									
	1.9	740	4.7									
	2.1	653	4.7									
	2.4	577	4.7									
	2.8	498	4.7									
	3.2	439	4.7									
	3.7	378	4.7									
4.2	328	4.7										

选型参数表
(恒扭矩)

Selection Table
(Constant Torque)

Mamax [Nm]	n _a [r/min]	i	F _{ra} [kN]	机型号 Type size	P [kW]/4P	Mamax [Nm]	n _a [r/min]	i	F _{ra} [kN]	机型号 Type size	P [kW]/4P		
450	0.80	1732	6.7			820	0.16	8714	9.4		0.12		
	0.89	1555	6.7		ER57R37								
	0.99	1399	6.7		ERF57R37								
	1.2	1189	6.7										
	1.3	1034	6.7		ER77R37								
	1.8	782	6.7		ERF77R37								
	2.1	678	6.7										
	2.3	604	6.7		ER57R37								
	2.6	537	6.7		ERF57R37								
	3.0	471	6.7										
	3.9	357	6.7		ER57R37								
	4.4	319	6.7		ERF57R37								
	5.1	273	6.7		ER57R37								
	5.8	241	6.7		ERF57R37								
	600	0.09	15361	7.2			1550	0.08	17528	16			0.18
		0.11	12931	7.2									
		0.12	11996	7.2									
		0.14	10097	7.2									
		0.15	9066	7.2									
		0.18	7816	7.2									
		0.21	6732	7.2									
		0.23	5970	7.2									
		0.26	5268	7.2									
		0.30	4680	7.2									
0.34		4136	7.2										
0.39		3566	7.2										
0.44		3125	7.2										
0.51		2745	7.2										
0.58		2403	7.2										
0.52		2682	7.2										
0.57		2460	7.2										
0.66		2094	7.2										
0.77		1805	7.2										
0.85		1629	7.2										
0.94		1471	7.2										
1.0		1379	7.2										
1.9		730	7.2										
2.4	571	7.2											
820	0.08	16370	9.4			820	0.34	4037	16			0.12	
	0.09	15015	9.4										
	0.10	13885	9.4										
	0.11	12783	9.4										
	0.13	11021	9.4										
	0.14	9788	9.4										
	0.16	8595	9.4										
	0.19	7411	9.4										
	0.20	6907	9.4										

选型参数表
(恒扭矩)

选型参数表
(恒扭矩)

Mamax [Nm]	n _a [r/min]	i	F _{ra} [kN]	机型号 Type size	P [kW]/4P
1550	1.0	1401	16	ER97RS7	0.75
	1.1	1237	16	ER87RS7	0.25
	1.2	1150	16	ER87RS7	0.37
	1.3	1042	16	ER97RS7	0.55
	1.7	806	16	ER87RS7	0.18
	1.8	758	16	ER87RS7	0.25
	0.8	1744	16	ER87RS7	0.55
	0.9	1530	16	ER87RS7	0.75
	1.1	1308	16	ER87RS7	1.1
	1.4	1012	16	ER87RS7	1.5
	1.6	889	16	ER87RS7	2.2
	2.0	688	16	ER87RS7	3
	2.3	601	16	ER87RS7	4
	3.5	399	16	ER87RS7	5.5
	3.9	354	16	ER87RS7	7.5
4.6	306	16	ER87RS7	10	
5.2	269	16	ER87RS7	15	
2.6	540	16	ER87RS7	20	
2.9	474	16	ER87RS7	25	
3.5	402	16	ER87RS7	30	
3.8	363	16	ER87RS7	35	
4.7	301	16	ER87RS7	40	
5.4	257	16	ER87RS7	45	
3000	0.06	21769	19	ER97RS7	0.12
	0.07	19332	19	ER97RS7	0.18
	0.08	17230	19	ER97RS7	0.25
	0.09	14999	19	ER97RS7	0.37
	0.10	13320	19	ER97RS7	0.55
	0.12	11156	19	ER97RS7	0.75
	0.14	10030	19	ER97RS7	1.1
	0.16	8706	19	ER97RS7	1.5
	0.18	7692	19	ER97RS7	2.2
	0.21	6708	19	ER97RS7	3
	0.23	5931	19	ER97RS7	4
	0.27	5161	19	ER97RS7	5.5
	0.35	4004	19	ER97RS7	7.5
	0.40	3481	19	ER97RS7	10
	0.30	4678	19	ER97RS7	15
0.32	4309	19	ER97RS7	20	
0.38	3702	19	ER97RS7	25	
0.46	3019	19	ER97RS7	30	
0.52	2668	19	ER97RS7	35	
0.62	2245	19	ER97RS7	40	
0.69	2016	19	ER97RS7	45	
0.80	1733	19	ER97RS7	50	
0.86	1623	19	ER97RS7	55	
0.97	1434	19	ER97RS7	60	
1.2	1207	19	ER97RS7	65	
1.3	1084	19	ER97RS7	70	
1.5	934	19	ER97RS7	75	
1.6	878	19	ER97RS7	80	

选型参数表
(恒扭矩)

选型参数表
(恒扭矩)

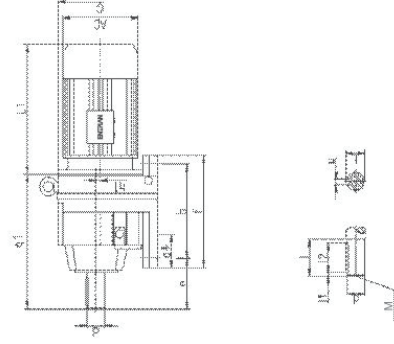
Mamax [Nm]	n _a [r/min]	i	F _{ra} [kN]	机型号 Type size	P [kW]/4P
4300	0.70	1987	28	ER107R77	0.37
	0.76	1827	28	ER107R77	0.55
	0.87	1599	28	ER107R77	0.75
	0.99	1400	28	ER107R77	1.1
	1.1	1226	28	ER107R77	1.5
	1.3	1104	28	ER107R77	2.2
	1.5	939	28	ER107R77	3
	1.7	822	28	ER107R77	4
	2.3	614	28	ER107R77	5.5
	2.6	544	28	ER107R77	7.5
	2.8	492	28	ER107R77	10
	3.4	417	28	ER107R77	15
	3.8	369	28	ER107R77	20
	4.4	323	28	ER107R77	25
	5.0	285	28	ER107R77	30
5.6	253	28	ER107R77	35	
6.7	214	28	ER107R77	40	
7.7	187	28	ER107R77	45	
3.0	469	28	ER107R77	50	
3.3	426	28	ER107R77	55	
3.8	377	28	ER107R77	60	
4.4	325	28	ER107R77	65	
5.0	284	28	ER107R77	70	
5.5	256	28	ER107R77	75	
6.5	220	28	ER107R77	80	
7.5	193	28	ER107R77	85	
8.4	172	28	ER107R77	90	
0.06	22238	51	ER137R77	0.12	
0.07	18975	51	ER137R77	0.18	
0.08	16592	51	ER137R77	0.25	
0.09	14802	51	ER137R77	0.37	
0.11	12943	51	ER137R77	0.55	
0.12	11731	51	ER137R77	0.75	
0.13	10589	51	ER137R77	1.1	
0.16	8798	51	ER137R77	1.5	
0.19	7491	51	ER137R77	2.2	
0.21	6570	51	ER137R77	3	
0.24	5844	51	ER137R77	4	
0.27	5125	51	ER137R77	5.5	
0.31	4471	51	ER137R77	7.5	
0.35	3951	51	ER137R77	10	
0.40	3459	51	ER137R77	15	
0.46	2997	51	ER137R77	20	
0.29	4760	51	ER137R77	25	
0.34	4061	51	ER137R77	30	
0.39	3551	51	ER137R77	35	
0.41	3374	51	ER137R77	40	
0.47	2960	51	ER137R77	45	
0.55	2511	51	ER137R77	50	
0.61	2267	51	ER137R77	55	
0.74	1883	51	ER137R77	60	
0.87	1603	51	ER137R77	65	
1.0	1406	51	ER137R77	70	
1.1	1269	51	ER137R77	75	

选型参数表
(恒扭矩)

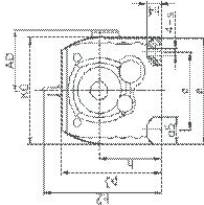
Mamax [Nm]	n_a [r/min]	F_{ra} [kN]	i	机型号 Type size	F_{ra} [kN]	i	n_a [r/min]	Mamax [Nm]	机型号 Type size	P [kW]/4P
13000	1.6	874	59	ERI147R77	91	300	4.9	18000	ERI167R107	11
	1.8	771	59	ERI147R77	91	275	5.3		ERI167R107	
	2.1	683	59	ERI147R77	91	233	6.3		ERI167R107	
	2.4	609	59	ERI147R77	91	204	7.2		ERI167R107	
	2.6	549	59	ERI147R77	91	181	8.1		ERI167R107	
	3.0	481	59	ERI147R77	91	158	9.1		ERI167R107	
	3.4	427	59	ERI147R87	91	140	10.1		ERI167R107	
	4.0	363	59	ERI147R87	91	128	11.2		ERI167R107	
	4.5	320	59	ERI147R87	91	118	12.3		ERI167R107	
	5.1	281	59	ERI147R87	91	109	13.5		ERI167R107	
18000	0.05	26995	91	ERI147R87	128	10618	0.13	36600	ERI177R97	0.75
	0.06	22477	91	ERI147R87	128	9104	0.15		ERI177R97	
	0.07	20091	91	ERI147R87	128	8430	0.17		ERI177R97	
	0.08	17358	91	ERI147R87	128	7355	0.19		ERI177R97	
	0.09	15515	91	ERI147R87	128	6579	0.21		ERI177R97	
	0.10	14048	91	ERI147R87	128	5922	0.23		ERI177R97	
	0.12	11809	91	ERI147R87	128	4519	0.32		ERI177R97	
	0.13	10556	91	ERI147R87	128	4063	0.35		ERI177R97	
	0.14	9713	91	ERI147R87	128	3527	0.41		ERI177R97	
	0.18	7747	91	ERI147R87	128	2771	0.45		ERI177R97	
0.55	0.20	6925	91	ERI167R97	128	2551	0.56	0.55	ERI177R97	3
	0.23	6076	91	ERI167R97	128	2282	0.63		ERI177R97	
	0.26	5431	91	ERI167R97	128	2052	0.70		ERI177R97	
	0.30	4689	91	ERI167R97	128	1836	0.78		ERI177R97	
	0.33	4164	91	ERI167R97	128	1679	0.84		ERI177R97	
	0.38	3723	91	ERI167R97	128	1427	1.0		ERI177R97	
	0.52	2669	91	ERI167R97	128	1223	1.2		ERI177R97	
	0.60	2332	91	ERI167R97	128	1148	1.3		ERI177R97	
	0.67	2084	91	ERI167R97	128	984	1.5		ERI177R97	
	0.76	1876	91	ERI167R97	128	790	1.8		ERI177R97	
1.1	0.85	1677	91	ERI167R97	128	617	2.1	1.5	ERI177R97	4
	0.98	1444	91	ERI167R97	128	535	2.4		ERI177R97	
	1.1	1290	91	ERI167R97	128	479	2.7		ERI177R97	
	1.3	1127	91	ERI167R97	128	454	3.2		ERI177R97	
	1.4	1008	91	ERI167R97	128	406	3.6		ERI177R97	
	1.6	876	91	ERI167R97	128	354	4.2		ERI177R97	
	1.9	772	91	ERI167R97	128	303	4.9		ERI177R97	
	2.2	658	91	ERI167R97	128	270	5.5		ERI177R97	
	2.5	579	91	ERI167R97	128	247	6.3		ERI177R97	
	2.9	512	91	ERI167R97	128	219	7.3		ERI177R97	
1.5	3.3	436	91	ERI167R97	128	187	8.4	2.2	ERI177R97	7.5
	3.9	378	91	ERI167R97	128	167	9.5		ERI177R97	
	4.3	338	91	ERI167R97	128	148	10.6		ERI177R97	
	4.7	308	91	ERI167R97	128	132	11.7		ERI177R97	
	5.2	280	91	ERI167R97	128	118	12.8		ERI177R97	
	5.7	252	91	ERI167R97	128	106	14.0		ERI177R97	
	6.2	228	91	ERI167R97	128	95	15.2		ERI177R97	
	6.7	207	91	ERI167R97	128	86	16.4		ERI177R97	
	7.2	189	91	ERI167R97	128	79	17.6		ERI177R97	
	7.8	172	91	ERI167R97	128	73	18.8		ERI177R97	

Selection Table
(Constant Torque)

ER17-177
安装结构尺寸



ER17-177
Mounting Dimensional Description

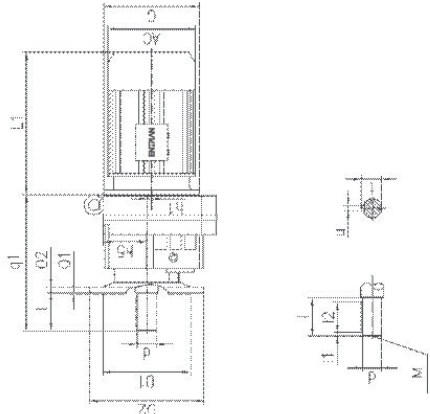


规格 Specification	qi	d	n	a _a	b	f	h ₁	p ₃	h	a ₈	a	G	电机尺寸 Motor Size	
													AC	L1
ER17	162	Φ20K6	58	28	110	131	0	M6	75 ^{-0.5}	22.5	110	Φ120		
ER27	193	Φ25K6	75	27	130	152	3.4	M6	90 ^{-0.5}	32	110	Φ120		
ER37	145	Φ9	18	151	50	3.5	40	M10	90 ^{-0.5}	28	110	Φ120		
ER37	201	Φ25K6	75	40	130	160	10.1	M10	90 ^{-0.5}	35	110	Φ120		
ER47	235	Φ30K6	90	50	165	195	14	M10	115 ^{-0.5}	42	135	Φ160		
ER57	170	Φ13.5	24	178	60	3.5	50	M10	115 ^{-0.5}	33	110	Φ160		
ER57	257	Φ35K6	100	60	165	200	11.2	M12	115 ^{-0.5}	55	135	Φ160		
ER67	190	Φ13.5	24	202	70	7	56	M12	130 ^{-0.5}	60	150	Φ160		
ER67	210	Φ14	30	215	70	7	56	M12	130 ^{-0.5}	38	243	Φ160		
ER77	300	Φ40K6	115	60	205	245	15.9	M12	140 ^{-0.5}	60	170	Φ200		见附录A-2
ER87	372	Φ50K6	140	90	260	310	12.6	M16	180 ^{-0.5}	75	215	Φ250		Please see appendix A-2
ER87	290	Φ17.5	45	297	100	10	80	M16	180 ^{-0.5}	53.5	345	Φ300		
ER97	440	Φ60m6	160	100	310	365	10.2	M20	225 ^{-0.5}	90	250	Φ300		
ER97	340	Φ22	55	348	120	5	110	M20	225 ^{-0.5}	64	418	Φ350		
ER107	495	Φ70m6	185	125	370	440	20.4	M20	250 ^{-0.5}	110	290	Φ400		
ER107	400	Φ26	65	409	140	7.5	125	M20	250 ^{-0.5}	74.5	475	Φ450		
ER137	589	Φ90m6	220	130	410	490	25.1	M24	315 ⁻¹	110	340	Φ400		
ER137	450	Φ33	70	458	170	5	160	M24	315 ⁻¹	95	562	Φ450		
ER147	695	Φ110m6	260	150	500	590	33.4	M24	355 ⁻¹	150	380	Φ450		
ER147	530	Φ39	80	540	210	15	180	M24	355 ⁻¹	116	637	Φ550		
ER167	790	Φ120m6	270	160	580	670	59.9	M24	425 ⁻¹	160	500	Φ550		
ER167	660	Φ39	100	670	210	5	200	M24	425 ⁻¹	127	749	Φ550		
ER177	955	Φ160m6	280	280	790	904	83	M30	525 ⁻¹	180	600	Φ550		
ER177	780	Φ45	110	780	250	15	220	M30	525 ⁻¹	169	600	Φ550		

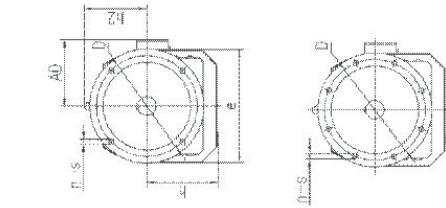
注：电机需方配或配特殊电机时需加联接法兰（见附录D）

Note: When equipping the user's motor or the special one, the flange is required to connected.(Please see appendix D)

ERF17-177
安装结构尺寸



ERF17-177
Mounting Dimensional Description

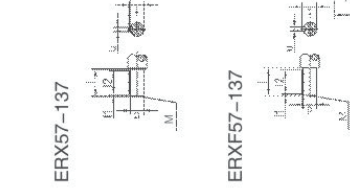


规格 Specification	d	D2	o ₂	o ₁	s	D1	D	n	q ₁	h ₅ l ₁	h ₅ l ₂	h ₁ h ₂	h M	h M	e u	t	h ₂ G	电机尺寸 Motor Size			
																		AC	AD	L1	
ERF17	φ20k6	φ120	8	3	φ6.5	φ80j6	φ100	4	170	59	4	170	76	130	130	6	22.5	φ120			
ERF27	φ25k6	φ140	9	3	φ8.5	φ95j6	φ115	4	40	4	32	142	142	142	142	142	142	φ120			
ERF37	φ25k6	φ120	8	3	φ6.5	φ80j6	φ100	4	199	57	3.4	92	142	142	142	142	142	φ120			
ERF47	φ30k6	φ160	10	3.5	φ8.5	φ110j6	φ130	4	50	3.5	40	M10	8	28	28	28	φ120				
ERF57	φ35k6	φ200	12	3.5	φ11	φ130j6	φ165	4	50	3.5	40	M10	8	28	28	28	φ160				
ERF67	φ35k6	φ250	15	4	φ13.5	φ180j6	φ215	4	70	7	56	M12	10	38	38	38	φ160				
ERF77	φ40k6	φ300	18.5	4	φ13.5	φ230j6	φ265	4	80	5	70	M16	12	43	43	43	φ200				
ERF87	φ50k6	φ300	16	4	φ13.5	φ230j6	φ265	4	372	115	12.6	184	297	165	165	165	φ250				
ERF97	φ60m6	φ350	18	5	φ17.5	φ350h6	φ400	8	120	5	110	M20	18	64	64	64	φ300				
ERF107	φ70m6	φ450	22	5	φ17.5	φ350h6	φ400	8	140	7.5	125	M20	20	74.5	74.5	74.5	φ350				
ERF137	φ90m6	φ450	22	5	φ17.5	φ350h6	φ400	8	180	25.1	320	458	247	400	400	400	φ400				
ERF147	φ110m6	φ550	25	5	φ17.5	φ450h6	φ500	8	210	15	180	M24	28	116	116	116	φ450				
ERF167	φ120m6	φ660	32	6	φ22	φ550h6	φ600	8	250	59.9	430	670	324	550	550	550	φ550				
ERF177	φ160m6	φ880	36	10	φ33	φ680h6	φ800	8	250	15	220	M30	40	169	169	169	φ550				

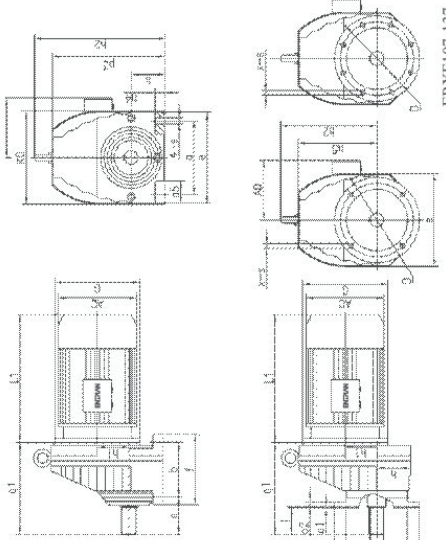
注：电机需方配或配特殊电机时需加联接法兰（见附录A-2）

Note: When equipping the user's motor or the special one, the flange is required to be connected. (Please see appendix D)

ERX57-137/ERXF57-137
安装结构尺寸



ERX57-137/ERXF57-137
Mounting Dimensional Description

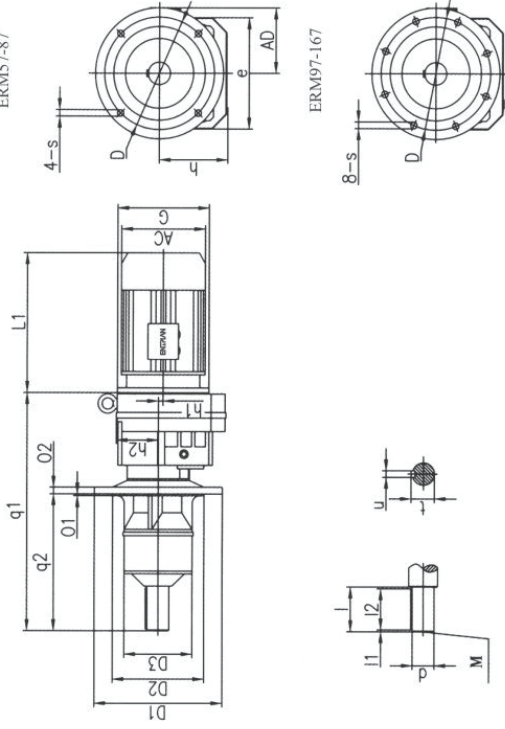


ERXF107-137

规格 Specification	d	q ₁ h	d p ₃	h ₁ h ₂	n K0	b l ₁	f l ₂	a M	e u	s t	h ₄ G	电机尺寸 Motor Size		
												AC	AD	L1
ERX57	φ20k6	174 63-0.5	φ20k6	52	56	110	137	125	156	φ11	18			
ERX67	φ25k6	201 80-0.5	φ25k6	60	75	120	150	135	170	φ13.5	20			
ERX77	φ30k6	227	φ30k6	72	85	150	190	170	204	φ17.5	25			
ERX87	φ40k6	269	φ40k6	93.5	110	160	206	215	266	φ17.5	30			见附录A-2
ERX97	φ50k6	316	φ50k6	116	140	185	240	250	320	φ22	35			请参见附录A-2
ERX107	φ60m6	364 140-0.5	φ60m6	130	152	210	260	310	360	φ22	45			
ERX137	φ70m6	378 160-0.5	φ70m6	158	175	240	320	340	450	φ35	50			

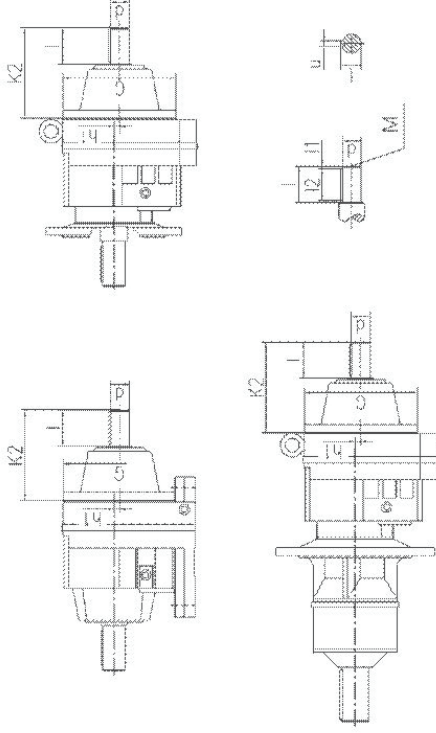
规格 Specification	d	D2	D1	o ₂	o ₁	D	x	h l ₁	h ₅ M	h ₂ u	e t	l ₁ q ₁	G	电机尺寸 Motor Size		
														AC	AD	L1
ERXF57	φ20k6	φ140	φ95j6	10	3	φ115	4	62	52	139	162	5	φ160			
ERXF67	φ25k6	φ200	φ130j6	12	3.5	φ165	4	φ9	40	M6	6	22.5	174			
ERXF77	φ30k6	φ250	φ180j6	15	4	φ215	4	φ11	32	40	M6	6	147			
ERXF87	φ40k6	φ300	φ230j6	16	4	φ265	4	φ11	70	60	M10	8	28			
ERXF97	φ50k6	φ350	φ250h6	18	5	φ300	4	φ13.5	118	116	M10	8	201			
ERXF107	φ60m6	φ450	φ350h6	22	5	φ400	8	φ17.5	135	130	M10	8	227			
ERXF137	φ70m6	φ550	φ450h6	25	5	φ500	8	φ17.5	170	158	M12	12	269			

ERM57-167
安装结构尺寸



ERM57-167
Mounting Dimensional Description

ER..SZ37-177AD1-8
安装结构尺寸



ER..SZ37-177AD1-8
Mounting Dimensional Description

ER..SZ37-177AD1-8 安装结构尺寸 (ER..SZ37-177AD1-8 Mounting Dimensional Description)

机型号 Type Size	d	G	gz	l	M	h	le	t	u	hr
AD1	16k6	φ120	115	40	M5	4	32	18	5	10.1
AD2	19k6	φ120	115	40	M6	4	32	21.5	6	10.1
AD3	24k6	φ160	120	40	M6	4	32	21.5	6	14/11.2/20.7
AD2	19k6	φ160	130	50	M8	5	40	27	8	14/11.2/20.7
AD3	24k6	φ200	130	40	M6	4	32	21.5	6	15.9
AD4	24k6	φ200	140	50	M8	5	40	27	8	15.9
AD2	19k6	φ250	160	40	M6	4	32	21.5	6	15.9
AD3	28k6	φ250	180	60	M10	5	50	31	8	12.6
AD4	38k6	φ250	200	80	M12	5	70	41	10	12.6
AD5	42k6	φ250	200	80	M16	5	70	45	12	12.6
AD3	28k6	φ300	200	60	M10	5	50	31	8	10.2
AD4	38k6	φ300	220	80	M12	5	70	41	10	10.2
AD5	42k6	φ300	220	80	M16	5	70	45	12	10.2
AD6	48k6	φ300	220	80	M16	5	70	51.5	14	10.2
AD3	28k6	φ350	220	60	M10	5	50	31	8	20.4
AD4	38k6	φ350	240	80	M12	5	70	41	10	20.4
AD5	42k6	φ350	270	110	M16	10	90	45	12	20.4
AD6	48k6	φ350	270	110	M16	10	90	51.5	14	20.4
AD4	38k6	φ400/450	267	80	M12	5	70	41	10	25.1/33.4
AD5	42k6	φ400/450	297	110	M16	10	90	45	12	25.1/33.4
AD6	48k6	φ400/450	297	110	M16	10	90	51.5	14	25.1/33.4
AD7	55m6	φ400/450	297	110	M20	10	90	59	16	25.1/33.4
AD8	70m6	φ400/450	297	110	M20	10	90	74.5	20	25.1/33.4
AD5	42k6	φ550	344	110	M16	10	90	45	12	59.9/93
AD6	48k6	φ550	344	110	M16	10	90	51.5	14	59.9/93
AD7	55m6	φ550	344	110	M20	10	90	59	16	59.9/93
AD8	70m6	φ550	374	140	M20	15	110	74.5	20	59.9/93

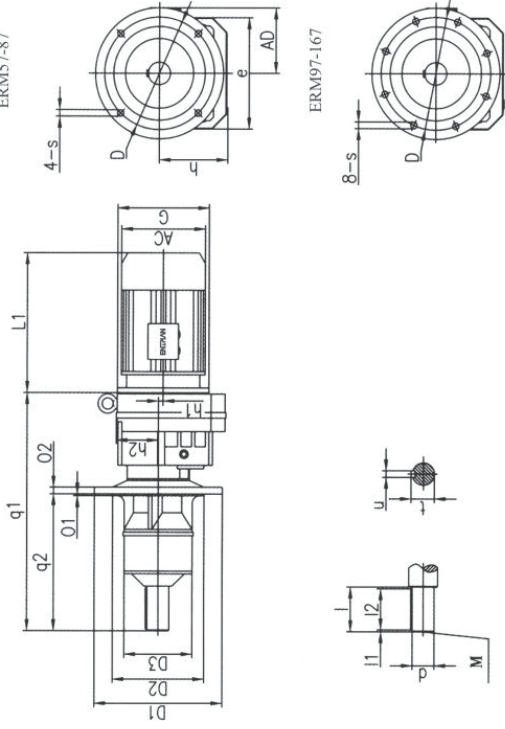
其它尺寸请参考ER型。

注: ERF/ERX/ERXF/ERM 也可采用双轴型, 并分别记为ERFSZ..AD..., ERXSZ..AD..., ERXFSZ..AD...和ERMFSZ..AD...

For other dimensions, see the type ER.

Note: double shafts type is also available for type ERF/ERX/ERXF/ERM, and these double shafts types are respectively named type ERFSZ..AD..., ERXSZ..AD..., ERXFSZ..AD... and ERMFSZ..AD...

ERM57-167
安装结构尺寸



ERM57-167
Mounting Dimensional Description

ER..SZ37-177AD1-8 安装结构尺寸 (ER..SZ37-177AD1-8 Mounting Dimensional Description)

规格 Specification	q1	q2	q1	q2	D1	D2	D3	h1	h2	h	e	D	D1	D2	D3	l1	l2	s	M	u	t	G	电机尺寸 Motor Size		
																							AC	AD	L1
ERM57	420	4	11.2	121	φ215	φ180/6	φ135	5	φ13.5	10	φ160	φ160	φ160	φ160	φ160	φ160	5	φ13.5	10	φ160	10	φ160	φ160	φ160	
ERM67	459	4	20.7	134	φ265	φ230/6	φ144	5	φ13.5	12	φ160	φ160	φ160	φ160	φ160	φ160	5	φ13.5	12	φ160	12	φ160	φ160	φ160	
ERM77	527	5	15.9	144	φ300	φ250/6	φ170	10	φ17.5	14	φ200	φ200	φ200	φ200	φ200	φ200	10	φ17.5	14	φ200	14	φ200	φ200	φ200	
ERM87	639	5	12.6	184	φ300	φ250/6	φ186	5	φ17.5	18	φ250	φ250	φ250	φ250	φ250	φ250	5	φ17.5	18	φ250	18	φ250	φ250	φ250	
ERM97	745	5	10.2	230	φ400	φ350/6	φ214	7.5	φ17.5	20	φ300	φ300	φ300	φ300	φ300	φ300	7.5	φ17.5	20	φ300	20	φ300	φ300	φ300	
ERM107	884	5	20.4	255	φ500	φ450/6	φ232	20	φ17.5	22	φ350	φ350	φ350	φ350	φ350	φ350	20	φ17.5	22	φ350	22	φ350	φ350	φ350	
ERM137	1024	5	25.1	320	φ500	φ450/6	φ253	15	φ17.5	28	φ400	φ400	φ400	φ400	φ400	φ400	15	φ17.5	28	φ400	28	φ400	φ400	φ400	
ERM147	1154	6	33.4	361	φ600	φ550/6	φ274	15	φ22	28	φ450	φ450	φ450	φ450	φ450	φ450	15	φ22	28	φ450	28	φ450	φ450	φ450	
ERM167	1313	6	59.9	430	φ600	φ550/6	φ290	5	φ22	32	φ550	φ550	φ550	φ550	φ550	φ550	5	φ22	32	φ550	32	φ550	φ550	φ550	
	730	28	250	670	φ660	φ125m6	210	200	M24	134															

注: 电机需方配或特殊电机时需加联接法兰 (见附录D)

Note: When equipping the user's motor or the special one, the flange is required to be connected. (Please see appendix D)