

EK 系列(图片) Type of EK series (pictures)



EK



EKA



EKF



EKAF

机型号 Type Size	电机座号 Motor frame size	L
ES...37R17	63	131
	71	
	63	
ES...47R17 ES...57R17	71	131
	80	
	63	
ES...67R37	71	157
	80	
	63	
ES...77R37	71	157
	80	
	90	
	63	
	71	
ES...87R57	80	187
	90	
	100	
	63	
	71	
ES...97R57	80	187
	90	
	100	
	112	
	63	
ES...100R77	71	220
	80	
	90	
	100	

注: ESA/ESAF/ESH/ESHZ均可采用串联组合机型
 Note: Combined type is also available for type ESA/ESAF/ESH/ESHZ
 注: 电机需方配或特殊电机时需加联接法兰(见附录D)
 Note: When equipping the user's motor or the special one, the flange is required to connected.(Please see appendix D)

结构型式说明 Dimensional Description

EK 系列输出轴垂直于输入轴,由两级斜齿轮和一级弧齿锥齿轮构成。

Output shafts of EK series geared motors are vertical to input shafts. Each units consist of two stages helical gears and one stage bevel gears.

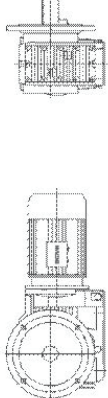
1.EK 型: 底脚安装,输出轴为实心轴。

Type EK: Foot mounted Solid output shaft.



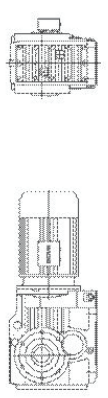
2.EKF 型: B5 法兰安装,输出轴为实心轴。

Type EKF: B5 flange mounted Solid output shaft.



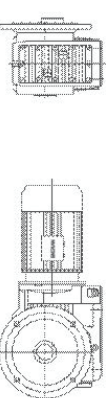
3.EKA 型: 轴装式,输出轴为空心轴。

Type EKA: Shaft mounted. Hollow output shaft.



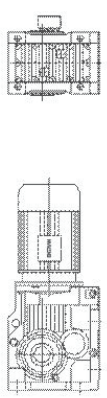
4.EKAF 型: B5 法兰安装,输出轴为空心轴。

Type EKAF: B5 flange mounted. Hollow output shaft.



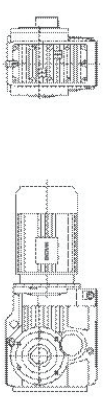
5.EKAB/EKHB 型: 用 EK 型箱体,输出轴为空心轴。

Type EKAB/EKHB: Housings of type EK are used. Hollow output shaft.



6.EKAZ 型: B14 法兰空心轴安装。

Type EKAZ: B14 flange mounted version with hollow shaft.



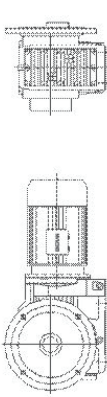
7.EKH 型: 空心轴锁紧盘安装。

Type EKH: Hollow shaft and shrink disk.



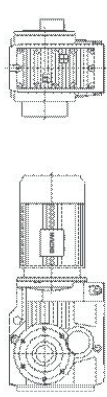
8.EKHF 型: B5 法兰空心轴锁紧盘安装。

Type EKHf: B5 flange-mounted version with hollow shaft and shrink disk.



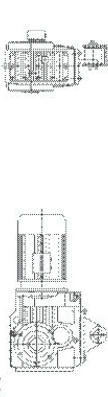
9.EKHZ 型: B14 法兰空心轴锁紧盘安装。

Type EKHZ: B14 flange-mounted version with hollow shaft and shrink disk.



10.EKAT/EKHT 型: 即在 EKAEKH 型上增加防转臂等附件后的派生型。

Type EKAT/EKHT: As altered type from type EKAEKH, this type is added torque arm and other accessories. Basically, accessories except spring washer do not belong to our standard supply.



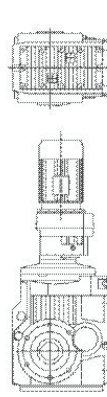
11.EK..SZ..AD..型: 输入轴型。

Type EK..SZ..AD..: Input shaft types.



12.EK...R 型: EK 系列和 ER 系列的组合。

Type EK...R: Combined types of type EK and type ER.



EK 系列机型号表示方法 Type Expression of EK Series

E KAF67-Y0.37-8P-102.62-M4-B-270°-3



入线口位置(Position of cable entry)

电机接线盒方向(角度)

(参见电机接线盒位置表示方法)

Terminal box position (angle)

(see description of motor terminal box position)

输出轴或输出法兰方向(参见安装形式图例)

Direction of output flange, or output flange

(see mounting arrangement description)

安装形式(参见安装形式图例)

Mounting arrangement

(see mounting dimensional description)

传动比(参见选型参数表)

Ratio (see selection table)

电机极数(参见选型参数表)

Pole number of motor (see selection table)

电机系列代号和功率(参见选型参数表)

Motor type and motor power (see selection table)

机型和规格号(参见选型参数表和安装结构尺寸图)

Type size (see selection table and Mounting Dimensional Description)

公司代号

E symbol of company

注:1.需带联接法兰时请注明

2.输入轴型没有电动机各项内容。

3.不注明接线盒方向时,则默认安装形式中的 0 度位置。不注明入线口位置时,则默认为 X 位置。

4.对输出轴旋转方向和输入轴旋转方向有特别要求的用户,请与技术部联系,并在订货时用简图或文字说明。

Note: 1, Please make a note, if it needs connecting flange.

2, Contents of motors for input shaft types are not listed.

3, Degree=0°, if terminal box position is not mentioned. It is X, if cable entry position is not mentioned.

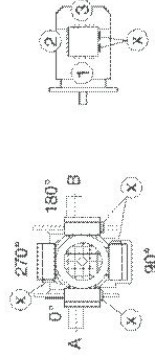
4, If specific rotation directions of output shaft or/and input shaft are specially requested, please contact our technology department, and make detailed description while placing order.

电机接线盒位置及入线口位置表示方法

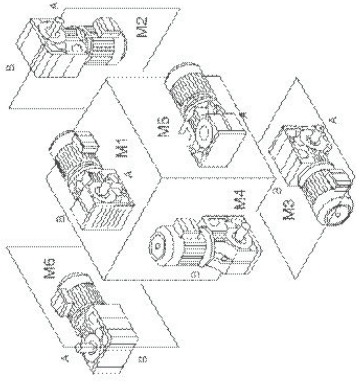
Description of Motor Terminal Box Position and Cable Entry Position

电机接线盒位置及入线口位置表示方法

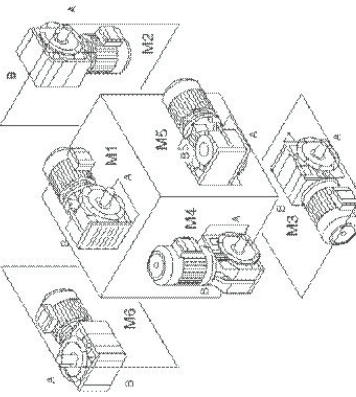
Description of Motor Terminal Box Position and Cable Entry Position



安装形式图例



Mounting Arrangements Description



各种安装形式定义为:

M1—电机水平放置;减速机底脚朝下。

M2—电机居下。

M3—电机水平放置;减速机底脚朝上。

M4—电机居上。

M5—电机水平放置;当减速机在 M1 安装位置时,从电机方向看,减速机的左面旋转到下方位置。

M6—电机水平放置;当减速机在 M1 安装位置时,从电机方向看,减速机的左面旋转到上方位置。

Different kinds of mounting arrangements are defined as following:

M1—horizontally mounted motor, unit base is at bottom.

M2—motor is vertically mounted downwards.

M3—horizontally mounted motor, unit base is top.

M4—motor is vertically mounted upwards.

M5—horizontally mounted motor, if placed on M1 position, left side of unit turns to bottom (view point: towards from motor side).

M6—horizontally mounted motor, if placed on M1 position, left side of unit turns to top (view point: towards from motor side).

减速机重量 (Gear unit weight)

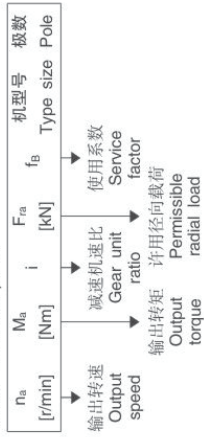
规格 Size	EK37	EK47	EK57	EK67	EK77	EK87	EK97	EK107	EK127	EK157	EK167	EK187
重量(kg) Weight	14	21	28	32	54	93	153	270	403	630	1122	1630

注:重量为平均值,不包括电机,仅供参考。

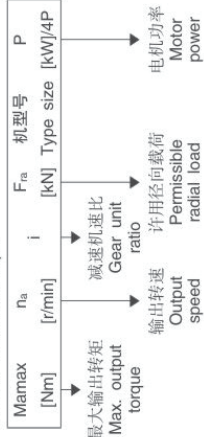
(Note: The weights mean values, without the motor, only for reference.)

选型表注释 (Description of selection table)

恒功率 Constant power



恒转矩 Constant torque



选型参数表
(恒功率)

Selection Table
(Constant Power)

n_a [r/min]	M_a [Nm]	i	F_{ra} [kN]	f_b	机型号 Type size	极数 Pole	n_a [r/min]	M_a [Nm]	i	F_{ra} [kN]	f_b	机型号 Type size	极数 Pole
0.12kW													
0.08	13734	17396	76	1.00			1.42	730	925	19	2.25	EK77R37	4P
0.08	12521	15859	76	1.10			1.60	645	817	19	2.55	EKF77R37	4P
0.09	11719	14843	77	1.20	EK127R77	4P	1.85	561	710	19	2.95	EKA77R37	4P
0.11	9736	12331	77	1.40	EKF127R77		2.10	492	623	19	3.35	EKAF77R37	
0.12	8542	10819	78	1.60	EKA127R77		0.97	1067	1351	8.8	0.80		
0.13	7738	9801	78	1.80	EKAF127R77		1.1	925	1171	10	0.95		
0.16	6605	8366	78	2.10			1.3	816	1034	11	1.05		
0.18	5786	7329	78	2.40			1.5	713	903	11	1.20		
0.09	11299	14311	62	0.80			1.7	626	793	12	1.40		
0.11	9641	12211	62	0.90			1.9	550	697	12	1.60	EK67R37	4P
0.12	8430	10678	62	1.00			2.1	484	613	12	1.80	EKF67R37	4P
0.14	7519	9524	62	1.15	EK107R77	4P	2.4	428	542	12	2.05	EKA67R37	4P
0.16	6575	8328	62	1.30	EKF107R77		2.8	372	471	12	2.35	EKAF67R37	
0.18	5739	7269	62	1.45	EKA107R77		3.1	332	420	12	2.60		
0.21	4882	6184	62	1.75	EKAF107R77		3.6	285	361	12	3.05		
0.23	4470	5662	62	1.90			4.1	255	323	12	3.40		
0.25	4057	5138	62	2.10			4.7	220	279	12	3.95		
0.30	3442	4360	62	2.50			5.3	194	246	12	4.50		
0.16	6360	8055	38	0.80			6.0	171	217	12	5.10		
0.19	5502	6969	38	0.85			1.4	715	906	7.4	0.90		
0.22	4758	6027	38	0.95	EK97R57	4P	1.6	636	806	7.8	1.00		
0.24	4257	5392	38	1.05	EKF97R57		1.9	552	699	8.3	1.15		
0.28	3686	4669	38	1.25	EKA97R57		2.1	486	615	8.5	1.30		
0.32	3222	4081	38	1.40	EKF97R57		2.4	429	544	8.7	1.50		
0.37	2829	3583	38	1.60	EKA97R57		2.8	373	473	8.8	1.70	EK57R37	4P
0.42	2454	3108	38	1.85			3.1	332	421	8.9	1.90	EKF57R37	4P
0.48	2176	2756	38	2.10			3.6	286	362	9.0	2.25	EKA57R37	4P
0.54	1910	2419	38	2.50			4.1	252	319	9.1	2.55	EKAF57R37	
0.62	1676	2123	38	2.70	EK97R57	4P	4.7	220	280	9.2	2.90		
0.71	1465	1856	38	3.10	EKF97R57		5.3	194	246	9.3	3.30		
0.81	1283	1625	38	3.55	EKA97R57		6.1	170	215	9.3	3.75		
0.92	1129	1430	38	4.05	EKF97R57		6.8	152	192	9.4	4.20		
1.04	996	1261	38	4.60	EKA97R57		7.7	133	171	9.4	4.85		
1.19	870	1102	38	5.25			8.8	116	152	9.4	5.55		
0.25	4136	5239	25	0.80			2.4	436	552	6.0	0.95	EK47R37	4P
0.29	3602	4562	26	0.80	EK87R57	4P	2.6	391	495	6.6	1.10	EKF47R37	4P
0.32	3187	4037	26	0.90	EKF87R57		3.1	336	426	6.9	1.25	EKA47R37	4P
0.36	2849	3609	26	1.00	EKA87R57		3.5	296	375	7.2	1.45	EKAF47R37	
0.42	2452	3106	27	1.15			4.0	257	326	7.3	1.65		
0.48	2154	2728	27	1.35	EKF87R57		4.5	228	289	7.4	1.85		
0.55	1872	2371	27	1.55	EKA87R57		5.1	200	261	7.4	2.10		
0.63	1647	2086	27	1.75			5.8	176	230	7.4	2.40		
0.71	1464	1854	27	1.95			6.6	156	204	7.4	2.70		
0.79	1309	1658	27	2.20	EK87R57	4P	7.4	140	185	7.4	3.00	EK37R17	4P
0.93	1117	1415	27	2.55	EKF87R57		8.3	126	166	7.4	3.30	EKF37R17	4P
1.07	970	1229	27	2.95	EKA87R57		9.4	113	149	7.4	3.60	EKA37R17	4P
1.22	851	1078	27	3.35	EKF87R57		10.6	101	133	7.4	4.00	EKF37R17	4P
1.38	751	951	28	3.80	EKA87R57		11.9	90	118	7.4	4.50	EKA37R17	4P
1.57	661	837	28	4.35			13.4	80	106	7.4	5.10		
1.80	573	726	28	5.00	EKF77R37	4P	15.5	70	92	7.4	5.85	EKF77R37	4P
0.48	2148	2721	13	0.80	EKA77R37	4P	5.9	185	244	12	4.40	EK67	6P*
0.55	1874	2374	15	0.90	EKF77R37		6.6	166	220	12	4.95	EKF67	6P*
0.64	1621	2053	16	1.00	EKA77R37		7.4	149	198	12	5.55	EKA67	6P*
0.74	1401	1775	17	1.15	EKF77R37		8.3	132	176	12	6.30	EKF67	6P*
0.86	1197	1516	17	1.35	EKA77R37		9.4	116	155	12	7.10	EKA67	6P*
0.94	1097	1390	18	1.50	EKF77R37	4P	10.6	101	133	12	7.95	EKF67	6P*
1.07	963	1220	18	1.70	EKA77R37		11.9	90	118	12	8.85	EKA67	6P*
1.24	833	1055	18	1.95	EKF77R37		13.4	80	106	12	9.85	EKF67	6P*

*0.12kW(6极)电机需特制。*0.12kW motor of 6 poles needs to be specially requested and then manufactured.

选型参数表
(恒功率)

选型参数表
(恒功率)

n _a [r/min]	Ma [Nm]	i	F _{ra} [kN]	f _b	机型号 Type size	极数 Pole	n _a [r/min]	Ma [Nm]	i	F _{ra} [kN]	f _b	机型号 Type size	极数 Pole
0.12kW													
9	121	145.15	9.4	5.00	EK57	4P	0.28	5529	4669	38	0.85	EK97R57	4P
11	103	123.85	9.4	5.80	EK57	4P	0.32	4833	4081	38	0.95	EK97R57	4P
12	90	108.29	9.5	6.70	EK57	4P	0.37	4243	3583	38	1.10	EK97R57	4P
13	86	102.88	9.5	7.00	EKA57	4P	0.42	3681	3108	38	1.25	EKA97R57	4P
15	75	90.26	9.5	8.00	EKA57	4P	0.48	3264	2756	38	1.40	EKA97R57	4P
6.4	169	131.87	7.5	2.40	EK47	6P*	0.54	2865	2419	38	1.60	EKA97R57	4P
7.0	156	121.48	7.6	2.60	EK47	6P*	0.62	2518	2123	38	1.80	EKA97R57	4P
8.1	134	104.37	7.7	3.00	EKA47	6P*	0.71	2198	1856	38	2.10	EKA97R57	4P
9.9	110	131.87	7.7	3.70	EK47	4P	0.81	1924	1625	38	2.35	EKA97R57	4P
11	101	121.48	7.8	4.00	EKA47	4P	0.92	1694	1430	38	2.70	EKA97R57	4P
8.0	136	106.38	5.9	1.50	EK37	6P*	1.04	1493	1261	38	3.05	EKA97R57	4P
8.7	125	97.81	6.0	1.60	EK37	6P*	1.19	1305	1102	38	3.50	EKA97R57	4P
10	107	83.69	6.1	1.90	EKA37	6P*	1.37	1133	957	38	4.05	EKA97R57	4P
12	93	72.54	6.2	2.20	EKA37	6P*	1.53	1013	855	38	4.50	EKA97R57	4P
12	88	106.38	6.2	2.30	EKA37	4P	1.76	880	743	38	5.20	EKA97R57	4P
13	81	97.81	6.2	2.50	EKA37	4P	2.01	771	651	38	5.90	EKA97R57	4P
16	70	83.69	6.2	2.90	EKA37	4P	0.42	3678	3106	25	0.80	EK87R57	4P
18	60	72.54	6.3	3.30	EKA37	4P	0.48	3231	2728	26	0.90	EKA87R57	4P
19	56	67.80	6.3	3.50	EKA37	4P	0.55	2808	2371	26	1.00	EKA87R57	4P
22	49	58.61	6.1	4.10	EKA37	4P	0.63	2470	2086	26	1.15	EKA87R57	4P
26	41	49.79	5.8	4.80	EKA37	4P	0.71	2196	1854	27	1.30	EKA87R57	4P
29	37	44.46	5.6	5.40	EKA37	4P	0.79	1964	1658	27	1.45	EKA87R57	4P
35	32	37.97	5.4	6.30	EK37	4P	0.93	1676	1415	27	1.70	EK87R57	4P
37	30	35.57	5.3	6.80	EK37	4P	1.11	1455	1229	27	1.95	EK87R57	4P
44	25	29.96	5.0	8.00	EKA37	4P	1.2	1277	1078	27	2.25	EKA87R57	4P
45	24	28.83	4.9	8.40	EKA37	4P	1.4	1126	951	27	2.55	EKA87R57	4P
53	21	24.88	4.7	9.60	EKA37	4P	1.6	991	837	27	2.90	EKA87R57	4P
56	19	23.36	4.6	10	EKA37	4P	1.8	860	726	27	3.35	EKA87R57	4P
65	17	20.19	4.4	11	EKA37	4P	0.86	1795	1516	14	0.90	EKA77R37	4P
76	14	17.15	4.2	13	EKA37	4P	0.94	1646	1390	15	1.00	EKA77R37	4P
86	13	15.32	4.1	14	EKA37	4P	1.1	1445	1220	16	1.15	EKA77R37	4P
100	11	13.08	3.9	15	EKA37	4P	1.2	1248	1054	17	1.30	EKA77R37	4P
108	10	12.14	3.8	16	EKA37	4P	1.4	1095	925	17	1.50	EKA77R37	4P
0.18kW													
0.09	17578	14843	70	0.80	EKA77R37	4P	1.6	968	817	18	1.70	EKA77R37	4P
0.11	14603	12331	75	0.95	EKA77R37	4P	1.8	841	710	18	1.95	EKA77R37	4P
0.12	12813	10819	76	1.10	EKA77R37	4P	2.1	738	623	18	2.25	EKA77R37	4P
0.13	11607	9801	76	1.20	EKA77R37	4P	2.4	655	553	19	2.50	EKA77R37	4P
0.16	9908	8366	77	1.40	EKA77R37	4P	2.7	574	485	19	2.85	EKA77R37	4P
0.18	8680	7329	77	1.60	EKA77R37	4P	3.1	507	428	19	3.25	EKA77R37	4P
0.20	7615	6430	78	1.80	EKA77R37	4P	3.6	456	368	19	3.75	EKA77R37	4P
0.23	6860	5793	78	2.00	EKA77R37	4P	4.1	407	321	19	4.25	EKA77R37	4P
0.27	5831	4924	78	2.35	EKA77R37	4P	4.7	362	280	19	4.75	EKA77R37	4P
0.30	5130	4332	78	2.70	EKA77R37	4P	5.4	320	256	19	5.25	EKA77R37	4P
0.34	4564	3854	78	3.00	EKA77R37	4P	6.2	280	228	19	5.75	EKA77R37	4P
0.40	3887	3282	78	3.55	EKA77R37	4P	7.3	239	192	19	6.50	EKA77R37	4P
0.16	9863	8328	62	0.85	EKA127R77	4P	4.7	330	279	12	2.65	EKA127R77	4P
0.18	8608	7269	62	1.00	EKA127R77	4P	5.3	290	241	12	2.90	EKA127R77	4P
0.21	7324	6184	62	1.15	EKA127R77	4P	6.1	253	207	12	3.15	EKA127R77	4P
0.23	6705	5662	62	1.25	EKA127R77	4P	7.0	218	176	12	3.40	EKA127R77	4P
0.25	6085	5138	62	1.40	EKA127R77	4P	8.0	185	146	12	3.65	EKA127R77	4P
0.30	5163	4360	62	1.65	EKA127R77	4P	9.4	155	119	12	3.90	EKA127R77	4P
0.34	4513	3811	62	1.90	EKA127R77	4P	10.9	129	100	12	4.15	EKA127R77	4P
0.39	3977	3358	62	2.15	EKA127R77	4P	12.6	107	86	12	4.40	EKA127R77	4P
0.44	3526	2977	62	2.40	EKA127R77	4P	14.5	88	70	12	4.65	EKA127R77	4P
0.50	3077	2598	62	2.75	EKA127R77	4P	16.6	72	58	12	4.90	EKA127R77	4P
0.57	2707	2286	62	3.15	EKA127R77	4P	19.0	60	48	12	5.15	EKA127R77	4P

*0.12kW(6极电机需特制)。*0.12kW motor of 6 poles needs to be specially requested and then manufactured.

选型参数表
(恒功率)

选型参数表
(恒功率)

n _a [r/min]	Ma [Nm]	i	F _{ra} [kN]	f _b	机型号 Type size	极数 Pole	n _a [r/min]	Ma [Nm]	i	F _{ra} [kN]	f _b	机型号 Type size	极数 Pole
0.18kW													
5.3	291	246	8.9	2.20	EK57R37	4P	44	37	29.96	5.0	5.10	EK37	4P
6.1	255	215	9.1	2.50	EK57R37	4P	45	36	28.83	4.9	5.30	EK37	4P
6.8	227	192	9.1	2.80	EK57R37	4P	52	31	24.99	4.7	6.20	EK37	4P
7.9	197	166	9.2	3.25	EKA57R37	4P	56	29	23.36	4.6	6.40	EK37	4P
3.5	444	375	5.6	0.95	EKA57R37	4P	65	25	20.19	4.4	7.00	EK37	4P
4.0	386	326	6.1	1.10	EKA57R37	4P	76	21	17.15	4.2	8.10	EK37	4P
4.5	342	289	6.6	1.25	EKA57R37	4P	86	19	15.32	4.1	8.80	EKA37	4P
5.1	303	256	6.9	1.40	EKA57R37	4P	100	16	13.08	3.9	9.70	EKA37	4P
5.8	266	225	7.1	1.60	EKA57R37	4P	108	15	12.14	3.8	10	EKA37	4P
6.6	234	198	7.3	1.80	EKA57R37	4P	125	13	10.49	3.6	12	EKA37	4P
7.7	203	171	7.5	2.10	EKA57R37	4P	147	11	8.91	3.4	14	EKA37	4P
8.6	181	153	7.6	2.35	EKA57R37	4P	165	9.9	7.96	3.3	15	EKA37	4P
0.25kW													
6.4	243	205	5.0	0.85	EK37R17	4P	0.14	16121	9801	72	0.85	EKA127R77	4P
7.2	214	181	5.4	1.00	EK37R17	4P	0.16	13761	8366	75	1.00	EKA127R77	4P
8.2	189	160	5.6	1.10	EK37R17	4P	0.18	12055	7329	76	1.15	EKA127R77	4P
9.6	161	136	5.8	1.30	EKA37R17	4P	0.21	10576	6430	77	1.30	EKA127R77	4P
10	150	127	5.9	1.40	EKA37R17	4P	0.23	9528	5793	77	1.45	EKA127R77	4P
9.0	171	144.79	12	2.90	EK67	6P	0.27	8099	4924	78	1.70	EKA127R77	4P
11	146	123.54	12	3.40	EK67	6P	0.31	7125	4332	78	1.95	EKA127R77	4P
12	128	108.02	12	3.80	EK67	6P	0.35	6339	3854	78	2.20	EKA127R77	4P
13	122	102.62	12	4.00	EK67	6P	0.41	5398	3282	78	2.55	EKA127R77	4P
0.30kW													
9.0	180	144.79	12	4.30	EK67	4P	0.22	10019	6184	62	0.85	EKA107R77	4P
11	154	123.54	12	5.10	EK67	4P	0.26	9173	5662	62	0.90	EKA107R77	4P
12	135	108.02	12	5.80	EKA67	4P	0.32	8324	5138	62	1.00	EKA107R77	4P
5.9	279	245.15	8.9	2.10	EK57	6P	0.31	7064	4360	62	1.20	EKA107R77	4P
6.9	238	203.85	9.0	2.50	EK57	6P	0.35	6174	3811	62	1.35	EKA107R77	4P

选型参数表
(恒功率)

选型参数表
(恒功率)

n_a [r/min]	Ma [Nm]	i	F_{ra} [kN]	f_b	机型号 Type size	极数 Pole
0.25kW						
1.3	1708	1054	14	0.95		
1.4	1499	925	15	1.10		
1.6	1324	817	16	1.20		
1.7	1150	710	17	1.40		4P
1.9	1009	623	17	1.60		
2.1	896	553	18	1.80		
2.7	786	488	18	2.05	EK7R37	
3.1	693	428	18	2.35	EK7R37	4P
3.6	596	368	19	2.70	EKA7R37	
4.1	531	328	19	3.05	EKA7R37	
4.6	471	291	19	3.45	EKA7R37	
5.3	408	252	19	3.95		
6.0	358	221	19	4.50		
6.8	316	195	19	5.15		
7.6	284	175	19	5.70		
2.2	993	613	7.0	0.85		
2.5	878	542	10	1.00		
2.8	763	471	10	1.10		
3.2	680	420	11	1.25	EK67R37	4P
3.7	585	361	11	1.45	EK67R37	
4.1	523	323	12	1.65	EKA67R37	
4.8	452	279	12	1.90	EKA67R37	
5.4	399	246	12	2.15		
6.1	352	217	12	2.45		
3.2	682	421	5.5	0.90		
3.7	586	362	7.4	1.05		
4.2	517	319	8.0	1.20		
4.8	454	280	8.3	1.40		
5.4	399	246	8.5	1.55		
6.2	348	215	8.7	1.80	EK57R37	4P
6.9	311	192	8.8	2.00	EK57R37	
8.0	269	166	9.0	2.35	EKA57R37	
9.2	235	145	9.1	2.65	EKA57R37	
10	209	129	9.1	3.00		
12	180	111	9.2	3.50		
14	157	97	9.3	4.00		
4.1	547	15428	19	2.90	EK77	8P
4.7	480	13531	19	3.30	EK77	
5.0	456	12873	19	3.40	EKA77	
5.6	403	11375	19	3.90	EKA77	
4.4	514	19250	19	2.80	EK77	6P
4.7	479	17967	19	3.00	EK77	
5.5	412	15428	19	3.70	EKA77	
6.3	362	13551	19	4.20	EKA77	
5.2	438	12354	12	1.90	EK67	8P
5.9	383	10802	12	2.20	EK67	
6.2	364	10262	12	2.30	EKA67	
7.1	319	9004	12	2.60	EKA67	
5.9	386	14479	12	2.10	EK67	6P
6.9	330	12354	12	2.50	EK67	
8.1	288	10802	12	2.80	EKA67	
8.3	274	10262	12	3.00	EKA67	
9.2	247	14479	12	3.10	EK67	4P
11	211	12354	12	3.60	EK67	
12	184	10802	12	4.10	EKA67	
13	175	10262	12	4.30	EKA67	
5.9	387	14515	8.5	1.50		
6.9	330	12385	8.7	1.80	EK57	6P
7.8	289	10829	8.8	2.00	EK57	
8.3	275	10288	8.9	2.20	EKA57	
9.4	241	9026	9.0	2.50	EKA57	
11	204	7656	9.1	2.90		

选型参数表
(恒功率)

选型参数表
(恒功率)

n_a [r/min]	Ma [Nm]	i	F_{ra} [kN]	f_b	机型号 Type size	极数 Pole
0.37kW						
0.78	4107	1713	62	2.05	EK107R77	
0.86	3728	1555	62	2.25	EK107R77	4P
1.0	3203	1336	62	2.50	EKA107R77	
1.1	2796	1166	62	3.00	EKA107R77	
0.63	5090	2123	38	0.90		
0.72	4450	1856	38	1.00		
0.82	3896	1625	38	1.15		
0.93	3429	1430	38	1.30		
1.1	3024	1261	38	1.50	EK97R57	4P
1.2	2642	1102	38	1.70	EK97R57	
1.4	2295	957	38	1.95	EKA97R57	
1.6	2050	855	38	2.20	EKA97R57	
1.8	1782	743	38	2.50		
2.0	1561	651	38	2.90		
2.3	1374	573	38	3.25		
0.94	3393	1415	25	0.85		
1.1	2947	1229	26	0.95		
1.2	2585	1078	26	1.10		
1.4	2280	931	27	1.25	EK87R57	4P
1.6	2007	837	27	1.40	EK87R57	
1.8	1741	726	27	1.60	EKA87R57	
2.1	1530	638	27	1.85	EKA87R57	
2.4	1348	562	27	2.10		
2.8	1137	474	27	2.50		
3.1	1021	426	27	2.75		
3.6	894	373	27	3.15		
1.6	1959	817	10	0.85		
1.9	1702	710	14	0.95		
2.1	1494	623	16	1.10		
2.4	1326	553	16	1.20		
2.7	1163	485	17	1.40		
3.1	1026	428	18	1.60	EK77R37	4P
3.6	882	368	18	1.85	EK77R37	
4.1	786	328	18	2.05	EKA77R37	
4.6	698	291	18	2.30	EKA77R37	
5.3	604	252	19	2.70		
6.0	530	221	19	3.05		
6.8	468	195	19	3.45		
7.6	420	175	19	3.85		
8.6	369	154	19	4.40		
3.2	1007	420	8.6	0.85		
3.7	866	361	10	1.00		
4.1	774	323	11	1.10		
4.8	669	279	11	1.30	EK67R37	4P
5.4	590	246	12	1.45	EK67R37	
6.1	520	217	12	1.65	EKA67R37	
7.0	458	191	12	1.85	EKA67R37	
8.0	398	166	12	2.15		
9.2	345	144	12	2.50		
11	293	122	12	2.95		
4.8	671	280	7.1	0.95		
5.4	590	246	7.6	1.05		
6.2	516	215	8.1	1.20	EK57R37	4P
6.9	460	192	8.3	1.35	EK57R37	
8.0	398	166	8.6	1.55	EKA57R37	
9.2	348	145	8.7	1.80	EKA57R37	
10	309	129	8.9	2.00		
12	266	111	9.0	2.35		
14	233	97	9.1	2.70		

选型参数表
(恒功率)

选型参数表
(恒功率)

n _a [r/min]	Ma [Nm]	i	F _{ra} [kN]	f _b	机型号 Type size	极数 Pole	n _a [r/min]	Ma [Nm]	i	F _{ra} [kN]	f _b	机型号 Type size	极数 Pole
0.37kW													
14	247	97.81	2.4	0.80			1.3	3513	1030	62	2.30	EK107R77	
16	211	83.69	5.2	0.95			1.5	3083	904	62	2.60	EKF107R77	
18	183	72.54	4.7	1.10			1.8	2704	793	62	2.95	EKA107R77	4P
20	171	67.80	5.3	1.15			2.0	2374	696	62	3.35	EKA107R77	
23	148	58.61	5.2	1.35			2.3	2094	614	62	3.80		
27	126	49.79	5.1	1.55			0.97	4877	1430	38	0.80		
30	112	44.46	5.0	1.75			1.1	4300	1261	38	1.00		
35	96	37.97	4.8	2.10			1.3	3758	1102	38	1.15		
37	90	35.57	4.7	2.20			1.5	3264	957	38	1.30	EK97R57	
44	76	29.96	4.6	2.60			1.6	2916	855	38	1.45	EKF97R57	4P
46	73	28.83	4.5	2.70	EK37		1.9	2534	743	38	1.70	EKA97R57	
53	63	24.99	4.4	3.10	EK37		2.1	2220	651	38	1.95	EKA97R57	
57	59	23.36	4.3	3.30	EKA37		2.4	1954	573	38	2.20	EKA97R57	
66	51	20.19	4.1	3.60	EKA37		2.8	1719	504	38	2.50		
78	43	17.15	4.0	4.10			3.2	1490	437	38	2.90		
87	39	15.32	3.8	4.50			3.6	1303	382	38	3.30		
102	33	13.08	3.7	4.90			4.6	1040	305	38	4.15		
110	31	12.14	3.6	5.10			1.5	3243	951	25	0.85		
127	26	10.49	3.4	5.90			1.7	2854	837	26	0.95		
149	22	8.91	3.3	7.00			1.9	2476	726	26	1.10		
167	20	7.96	3.2	7.60			2.2	2176	658	27	1.25		
196	17	6.80	3.0	8.60			2.2	1917	562	27	1.40	EK87R57	
209	16	6.37	3.0	8.90			2.9	1617	474	27	1.65	EKF87R57	
248	14	5.36	2.8	10			3.3	1453	426	27	1.85	EKA87R57	4P
0.55kW													
0.09	5172	15181	162	0.95			3.7	1272	373	27	2.10	EKA87R57	
0.11	45319	12761	171	1.10	EK187R97		4.2	1125	330	27	2.40		
0.12	3993	11727	171	1.20	EKA187R97	4P	4.7	1003	294	27	2.70		
0.13	35515	10414	171	1.35			5.6	853	250	27	3.15		
0.21	22389	6565	171	2.10			5.9	805	236	27	3.35		
0.12	39219	11500	135	0.85			6.9	685	201	27	3.95		
0.14	34782	10199	135	0.95			2.5	1886	553	5.5	0.80		
0.16	29237	8573	135	1.15	EK167R97	4P	2.9	1654	485	14	0.95		
0.22	22007	6453	135	1.30	EKA167R97	4P	3.2	1460	428	15	1.05		
0.26	17959	5266	135	1.85			3.8	1255	368	16	1.25		
0.34	13822	4053	135	2.40			4.2	1119	328	17	1.40	EK77R37	
0.20	23709	6952	104	0.75	EK157R97		4.8	992	291	17	1.55	EKF77R37	4P
0.23	20616	6045	106	0.85	EKF157R97	4P	5.5	859	252	18	1.80	EKA77R37	
0.39	12202	3578	109	1.50	EKA157R97	4P	6.3	754	221	18	2.05		
0.45	10606	3110	110	1.70	EKA157R97	4P	7.1	665	195	18	2.35		
0.32	14774	4332	72	0.90			7.9	597	175	19	2.60		
0.36	13143	3854	75	1.00	EK127R77		9.0	525	154	19	2.95		
0.42	11193	3282	76	1.15	EKF127R77	4P	5.0	951	279	7	0.85		
0.47	10170	2982	77	1.30	EKA127R77	4P	5.7	839	246	10	1.00		
0.54	8812	2584	77	1.50	EKA127R77	4P	6.4	740	217	10	1.10	EK67R37	
0.73	6510	1909	78	2.00			7.3	651	191	11	1.25	EKF67R37	4P
0.80	5937	1741	78	2.20			8.4	566	166	11	1.45	EKA67R37	
0.91	5208	1527	78	2.50	EKF127R77	4P	9.7	491	144	12	1.65	EKA67R37	
1.0	4553	1355	78	2.85	EKA127R77	4P	11	416	122	12	1.95		
1.4	3410	1000	78	3.25	EKA127R77	4P	12	355	102	14	2.40		
0.47	10153	2977	62	0.80	EK107R77	4P	7.2	655	192	4.9	0.90		
0.54	8860	2598	62	0.90	EKF107R77	4P	8.4	566	166	7.5	1.05	EK57R37	
0.61	7796	2286	62	1.05	EKA107R77	4P	9.6	495	145	8.0	1.20	EKF57R37	4P
0.72	6613	1939	62	1.20	EKA107R77	4P	11	440	129	8.2	1.35	EKA57R37	
0.81	5842	1713	62	1.35	EK107R77	4P	13	379	111	8.5	1.60	EKA57R37	
0.89	5303	1555	62	1.50	EKF107R77	4P	14	331	97	8.7	1.80		
1.0	4556	1336	62	1.75	EKA107R77	4P	3.8	1317	17419	27	2.00	EKF87	
1.2	3976	1166	62	2.00	EKA107R77	4P	4.0	1242	16434	27	2.10	EKA87	
							4.5	1114	14732	27	2.40	EKA87	

选型参数表
(恒功率)

选型参数表
(恒功率)

n _a [r/min]	Ma [Nm]	i	F _{ra} [kN]	f _b	机型号 Type size	极数 Pole	n _a [r/min]	Ma [Nm]	i	F _{ra} [kN]	f _b	机型号 Type size	极数 Pole
0.55kW													
4.5	1107	197.37	27	2.30	EK87		106	47	13.08	3.5	3.30		
5.1	977	174.19	27	2.70	EKF87	6P	114	44	12.14	3.5	3.40		
6.0	826	147.32	27	3.10	EKA87	6P	133	38	10.49	3.3	4.00	EK37	
5.4	921	164.34	27	2.80	EKA87	6P	156	32	8.91	3.2	4.70	EKF37	4P
4.9	1025	135.51	17	1.50	EKF77		175	29	7.96	3.1	5.10	EKA37	
5.1	973	128.73	17	1.55	EKF77	8P	204	24	6.80	3.0	5.70	EKA37	
5.8	860	113.75	18	1.75	EKA77		218	23	6.37	2.9	5.90		
6.8	735	97.21	18	2.10	EKA77		259	19	5.36	2.8	6.80		
0.75kW													
5.8	865	154.28	18	1.70	EK77	6P	0.12	54536	11727	158	0.85		
6.6	760	135.51	18	1.95	EKF77	6P	0.13	48330	10414	169	0.95	EK187R97	4P
6.9	722	128.73	18	2.10	EKA77	6P	0.21	30530	6565	171	1.50	EKA187R97	
7.8	638	113.75	18	2.30	EKA77	6P	0.23	28056	6033	171	1.65		
9.0	554	154.28	19	2.60			0.26	24917	5358	171	1.90		
10	486	135.51	19	3.00	EK77	4P	0.16	39868	8573	135	0.85		
11	462	128.73	19	3.10	EKF77	4P	0.22	30009	6453	135	1.10	EK167R97	4P
12	408	113.75	19	3.50	EKA77	4P	0.26	24489	5266	135	1.35	EKA167R97	
14	349	97.21	19	4.10	EKA77	4P	0.34	18848	4053	135	1.75		
7.2	693	123.54	11	1.15			0.42	15440	3320	135	2.10		
8.2	606	108.02	11	1.30	EK67	6P	0.39	16639	3578	107	1.10	EK157R97	4P
8.7	575	102.62	11	1.35	EKF67	6P	0.45	14463	3110	108	1.25	EKF157R97	4P
9.9	505	90.04	12	1.55	EKA67	6P	0.83	7757	1668	110	2.30	EKA157R97	
12	428	76.37	12	1.85	EKA67	6P	1.0	6385	1373	110	2.80	EKA157R97	
11	443	123.54	12	1.70	EK67	4P	0.83	7757	1668	110	2.30	EKF157R97	4P
13	388	108.02	12	1.95	EKF67	4P	0.83	7757	1668	110	2.30	EKF157R97	4P
15	323	90.04	12	2.40	EKA67	4P	1.0	6385	1373	110	2.80	EKA157R97	
18	274	76.37	12	2.80	EKA67	4P	1.0	6385	1373	110	2.80	EKA157R97	
8.2	607	108.29	7.0	0.95			0.81	7966	1713	62	1.00		
8.7	577	102.88	7.2	1.00	EK57	6P	0.89	7231	1555	62	1.10	EK127R77	
9.9	506	90.26	7.8	1.15	EKF57	6P	1.0	6208	1335	62	1.30	EK127R77	4P
12	429	76.56	8.2	1.35	EKA57	6P	1.2	5446	1171	78	2.40	EKA127R77	
13	388												

选型参数表
(恒功率)

选型参数表
(恒功率)

n _a [r/min]	Ma [Nm]	i	F _{ra} [kN]	f _b	机型号 Type size	极数 Pole
0.75kW						
1.9	3376	726	25	0.80	EK47	4P
2.2	2967	638	26	0.90	EKF47	4P
2.5	2614	562	26	1.00	EKA47	4P
2.9	2204	474	27	1.25	EKA47	4P
3.3	1981	426	27	1.35	EK87R57	4P
3.7	1735	373	27	1.55	EKF87R57	4P
4.2	1535	330	27	1.75	EKA87R57	4P
4.7	1367	294	27	2.00	EKA87R57	4P
5.6	1163	250	27	2.30	EKA87R57	4P
5.9	1098	236	27	2.45	EKA87R57	4P
6.9	935	201	27	2.90	EKA87R57	4P
3.8	1711	368	13	0.90	EK77R37	4P
4.2	1525	328	15	1.00	EKF77R37	4P
4.8	1353	291	16	1.15	EKA77R37	4P
5.5	1172	252	17	1.30	EKA77R37	4P
6.3	1028	221	17	1.50	EKA77R37	4P
1.1kW						
3.9	1736	176.05	38	2.30	EK97	8P
4.5	1511	153.21	38	2.70	EKA97	8P
4.9	1383	140.28	38	3.00	EKA97	8P
4.7	1453	147.32	27	1.75	EK87	8P
5.4	1252	126.91	27	2.00	EKF87	8P
6.0	1142	115.82	27	2.20	EKA87	8P
6.7	1013	102.71	27	2.50	EKA87	8P
5.2	1302	174.19	27	1.95	EK87	6P
5.5	1229	164.34	27	2.10	EKF87	6P
6.2	1102	147.32	27	2.30	EKA87	6P
7.2	949	126.91	27	2.70	EKA87	6P
1.1kW						
7.0	966	197.37	27	2.60	EK87	4P
8.0	853	174.19	27	3.00	EKF87	4P
8.5	804	164.34	27	3.20	EKA87	4P
9.4	721	147.32	27	3.50	EKA87	4P
6.7	1013	135.51	17	1.45	EK77	6P
7.1	963	128.73	17	1.50	EKF77	6P
8.0	851	113.75	18	1.70	EKA77	6P
9.4	727	97.21	18	2.00	EKA77	6P
10	666	89.12	18	2.20	EKA77	6P
9.0	755	154.28	18	1.95	EK77	4P
10	663	135.51	18	2.20	EKF77	4P
11	630	128.73	18	2.30	EKA77	4P
12	557	113.75	19	2.60	EKA77	4P
14	476	97.21	19	3.10	EKA77	4P
11	605	123.54	11	1.30	EK67	4P
13	529	108.02	11	1.45	EKA67	4P
15	441	90.04	12	1.75	EKA67	4P
18	374	76.37	12	2.10	EK67	4P
20	338	68.95	12	2.30	EKF67	4P
23	297	60.66	12	2.60	EKA67	4P
24	280	57.28	12	2.80	EKA67	4P
11	606	123.85	6.8	0.95	EK67	4P
13	530	108.29	7.5	1.05	EKA67	4P
14	504	102.88	7.8	1.10	EKA67	4P
15	442	90.26	8.1	1.30	EK57	4P
18	375	76.56	8.4	1.50	EKF57	4P
20	338	69.12	8.6	1.65	EKA57	4P
23	298	60.81	8.8	1.90	EKA57	4P
24	281	57.42	8.8	2.00	EKA57	4P
28	239	48.89	9.0	2.40	EKA57	4P
31	217	44.43	9.1	2.60	EKA57	4P

选型参数表
(恒功率)

选型参数表
(恒功率)

n _a [r/min]	Ma [Nm]	i	F _{ra} [kN]	f _b	机型号 Type size	极数 Pole
1.1kW						
1.2	7930	1171	77	1.65	EK47	4P
1.4	6772	1000	78	1.90	EKA47	4P
1.6	5939	877	78	2.20	EKA47	4P
1.8	5302	783	78	2.45	EKA47	4P
2.0	4727	698	78	2.75	EKA47	4P
2.3	4097	605	78	3.20	EKA47	4P
2.6	3711	548	78	3.50	EKA47	4P
3.0	3203	473	78	4.05	EKA47	4P
1.2	7896	1166	62	1.00	EK67	4P
1.4	6975	1030	62	1.15	EKA67	4P
1.5	6122	904	62	1.30	EKA67	4P
1.8	5370	793	62	1.50	EKA67	4P
2.0	4713	696	62	1.70	EKA67	4P
2.3	4158	614	62	1.90	EKA67	4P
2.7	3535	522	62	2.25	EKA67	4P
3.0	3122	461	62	2.55	EKA67	4P
3.4	2763	408	62	2.90	EKA67	4P
3.8	2465	364	62	3.25	EKA67	4P
4.4	2153	318	62	3.70	EKA67	4P
1.9	5032	743	38	0.85	EK97R57	4P
2.2	4409	651	38	0.95	EKF97R57	4P
2.4	3880	573	38	1.10	EKA97R57	4P
2.8	3413	504	38	1.25	EKA97R57	4P
3.2	2959	437	38	1.45	EKA97R57	4P
3.7	2587	382	38	1.65	EKA97R57	4P
4.1	2316	342	38	1.85	EKA97R57	4P
3.0	3210	474	25	0.85	EK87R57	4P
3.3	2885	426	26	0.95	EKF87R57	4P
3.8	2526	373	26	1.05	EKA87R57	4P
4.2	2235	330	26	1.20	EKA87R57	4P
4.8	1991	294	27	1.35	EKA87R57	4P
5.6	1693	250	27	1.60	EKA87R57	4P
5.9	1598	236	27	1.70	EKA87R57	4P
7.0	1361	201	27	2.00	EKA87R57	4P
3.9	2546	176.05	38	1.60	EK97	8P
4.5	2216	153.21	38	1.80	EKF97	8P
4.9	2029	140.28	38	2.00	EKA97	8P
5.6	1792	123.93	38	2.20	EKA97	8P
5.2	1931	176.05	38	2.10	EK97	6P
5.9	1680	153.21	38	2.50	EKF97	6P
6.5	1538	140.28	38	2.70	EKA97	6P
7.3	1359	123.93	38	3.00	EKA97	6P
1.1kW						
8.0	1255	176.05	38	3.30	EK97	4P
9.1	1092	153.21	38	3.70	EKA97	4P
10	1000	140.28	38	4.10	EKA97	4P
5.2	1910	174.19	27	1.35	EK87	6P
5.5	1802	164.34	27	1.45	EKF87	6P
6.2	1616	147.32	27	1.60	EKA87	6P
6.7	1486	135.51	27	1.85	EKA87	6P
8.0	1242	174.19	27	2.10	EK87	4P
8.5	1171	164.34	27	2.20	EKF87	4P
9.5	1050	147.32	27	2.40	EKA87	4P
11	905	126.91	27	2.80	EKA87	4P
12	826	115.82	27	3.10	EKA87	4P
6.7	1486	135.51	15	1.00	EK77	6P
7.1	1412	128.73	15	1.05	EKF77	6P
8.0	1247	113.75	16	1.20	EKA77	6P
9.4	1066	97.21	17	1.40	EKA77	6P

选型参数表
(恒功率)

Selection Table
(Constant Power)

1.1kW		1.5kW	
n_a [r/min]	M_a [Nm]	n_a [r/min]	M_a [Nm]
115	87	2.4	5291
133	75	2.8	4654
157	64	3.2	4035
176	57	3.7	3528
206	48	4.1	3158
220	45	4.6	2817
261	38	5.4	2383
0.23	55712	6.0	2142
0.26	49478	7.0	1838
0.29	44233	8.0	1599
0.33	39773	9.0	1424
0.36	35645	10.0	1290
0.43	29800	11.0	1171
0.51	25275	12.0	1064
0.62	20796	14.0	920
0.69	18728	16.0	839
0.85	14727	18.0	766
1.01	12781	20.0	707
1.10	11765	22.0	657
0.60	21664	24.0	614
0.84	15403	26.0	578
1.0	12679	28.0	545
1.1	11414	30.0	514
1.3	10204	32.0	484
1.5	8865	34.0	456
1.6	8034	36.0	430
2.5	5264	40.0	381
2.7	4710	42.0	356
2.6	4996	44.0	334
3.3	3906	48.0	299
3.8	3408	52.0	271
0.80	16077	56.0	248
0.92	14101	60.0	228
1.0	12328	63.0	213
1.2	10814	67.0	197
1.4	9235	72.0	182
1.6	8099	77.0	170
1.8	7231	83.0	160
2.0	6446	90.0	151
2.3	5587	98.0	143
2.6	5061	107.0	136
3.0	4368	117.0	131
3.4	3786	128.0	126
1.4	9512	1030	62
1.5	8348	904	62
1.8	7323	793	62
2.0	6427	696	62
2.3	5670	614	62
2.7	4820	522	62
3.0	4257	461	62
3.4	3768	408	62
3.8	3361	364	62
4.4	2937	318	62
F_{ra} [kN]	i	F_{ra} [kN]	i
3.1	12.14	38	0.80
3.0	10.49	38	0.90
2.9	9.07	38	1.05
2.8	7.96	38	1.20
2.7	7.06	38	1.35
2.6	6.30	38	1.50
2.5	5.64	38	1.65
2.4	5.06	38	1.80
2.3	4.56	38	2.00
2.2	4.12	38	2.20
2.1	3.73	38	2.40
2.0	3.39	38	2.60
1.9	3.09	38	2.80
1.8	2.82	38	3.00
1.7	2.58	38	3.20
1.6	2.36	38	3.40
1.5	2.16	38	3.60
1.4	1.98	38	3.80
1.3	1.82	38	4.00
1.2	1.68	38	4.20
1.1	1.55	38	4.40
1.0	1.44	38	4.60
0.9	1.34	38	4.80
0.8	1.25	38	5.00
0.7	1.17	38	5.20
0.6	1.10	38	5.40
0.5	1.04	38	5.60
0.4	0.98	38	5.80
0.3	0.93	38	6.00
0.2	0.88	38	6.20
0.1	0.84	38	6.40
M_a [Nm]	i	M_a [Nm]	i
573	5.73	573	5.73
504	5.04	504	5.04
437	4.37	437	4.37
382	3.82	382	3.82
342	3.42	342	3.42
305	3.05	305	3.05
271	2.71	271	2.71
242	2.42	242	2.42
215	2.15	215	2.15
190	1.90	190	1.90
168	1.68	168	1.68
148	1.48	148	1.48
131	1.31	131	1.31
117	1.17	117	1.17
106	1.06	106	1.06
97	0.97	97	0.97
90	0.90	90	0.90
84	0.84	84	0.84
79	0.79	79	0.79
74	0.74	74	0.74
70	0.70	70	0.70
66	0.66	66	0.66
63	0.63	63	0.63
60	0.60	60	0.60
58	0.58	58	0.58
56	0.56	56	0.56
54	0.54	54	0.54
52	0.52	52	0.52
51	0.51	51	0.51
50	0.50	50	0.50
49	0.49	49	0.49
48	0.48	48	0.48
47	0.47	47	0.47
46	0.46	46	0.46
45	0.45	45	0.45
44	0.44	44	0.44
43	0.43	43	0.43
42	0.42	42	0.42
41	0.41	41	0.41
40	0.40	40	0.40
39	0.39	39	0.39
38	0.38	38	0.38
37	0.37	37	0.37
36	0.36	36	0.36
35	0.35	35	0.35
34	0.34	34	0.34
33	0.33	33	0.33
32	0.32	32	0.32
31	0.31	31	0.31
30	0.30	30	0.30
29	0.29	29	0.29
28	0.28	28	0.28
27	0.27	27	0.27
26	0.26	26	0.26
25	0.25	25	0.25
24	0.24	24	0.24
23	0.23	23	0.23
22	0.22	22	0.22
21	0.21	21	0.21
20	0.20	20	0.20
19	0.19	19	0.19
18	0.18	18	0.18
17	0.17	17	0.17
16	0.16	16	0.16
15	0.15	15	0.15
14	0.14	14	0.14
13	0.13	13	0.13
12	0.12	12	0.12
11	0.11	11	0.11
10	0.10	10	0.10
9	0.09	9	0.09
8	0.08	8	0.08
7	0.07	7	0.07
6	0.06	6	0.06
5	0.05	5	0.05
4	0.04	4	0.04
3	0.03	3	0.03
2	0.02	2	0.02
1	0.01	1	0.01
n_a [r/min]	M_a [Nm]	n_a [r/min]	M_a [Nm]
115	87	2.4	5291
133	75	2.8	4654
157	64	3.2	4035
176	57	3.7	3528
206	48	4.1	3158
220	45	4.6	2817
261	38	5.4	2383
0.23	55712	6.0	2142
0.26	49478	7.0	1838
0.29	44233	8.0	1599
0.33	39773	9.0	1424
0.36	35645	10.0	1290
0.43	29800	11.0	1171
0.51	25275	12.0	1064
0.62	20796	14.0	920
0.69	18728	16.0	839
0.85	14727	18.0	766
1.01	12781	20.0	707
1.10	11765	22.0	657
0.60	21664	24.0	614
0.84	15403	26.0	578
1.0	12679	28.0	545
1.1	11414	30.0	514
1.3	10204	32.0	484
1.5	8865	34.0	456
1.6	8034	36.0	430
2.5	5264	40.0	381
2.7	4710	42.0	356
2.6	4996	44.0	334
3.3	3906	48.0	299
3.8	3408	52.0	271
0.80	16077	56.0	248
0.92	14101	60.0	228
1.0	12328	63.0	213
1.2	10814	67.0	197
1.4	9235	72.0	182
1.6	8099	77.0	170
1.8	7231	83.0	160
2.0	6446	90.0	151
2.3	5587	98.0	143
2.6	5061	107.0	136
3.0	4368	117.0	131
3.4	3786	128.0	126
1.4	9512	1030	62
1.5	8348	904	62
1.8	7323	793	62
2.0	6427	696	62
2.3	5670	614	62
2.7	4820	522	62
3.0	4257	461	62
3.4	3768	408	62
3.8	3361	364	62
4.4	2937	318	62

选型参数表
(恒功率)

Selection Table
(Constant Power)

1.5kW		2.2kW	
n_a [r/min]	M_a [Nm]	n_a [r/min]	M_a [Nm]
16	875	90.04	8.9
18	742	76.37	10
20	670	68.95	11
23	590	60.66	11
24	557	57.28	11
29	474	48.77	12
32	431	44.32	12
36	373	38.39	12
39	346	35.61	12
46	294	30.21	12
51	265	27.27	12
58	233	23.99	12
62	218	22.27	12
69	191	19.34	12
84	157	15.77	12
115	118	11.77	12
160	89	8.91	12
220	66	6.60	12
261	52	5.36	12
320	41	4.10	12
380	33	3.30	12
460	26	2.60	12
560	21	2.10	12
680	16	1.60	12
820	13	1.30	12
1000	10	1.00	12
0.66	28747	2168	135
0.84	22449	1693	135
1.03	18352	1384	135
1.12	16893	1274	135
1.31	14506	1094	135
1.54	12318	929	135
0.86	22117	1668	100
1.0	18206	1373	100
1.2	16389	1236	100
1.3	14652	1105	100
1.5	12729	960	100
1.6	11536	870	100
1.9	10077	760	100
2.6	7174	541	78
3.0	6325	477	78
3.4	5609	423	78
3.9	4893	369	78
4.3	4416	333	78
1.4	13260	1000	74

选型参数表
(恒功率)

选型参数表
(恒功率)

n _a [r/min]	Ma [Nm]	i	F _{ra} [kN]	f _b	机型号 Type size	极数 Pole
2.2kW						
14	1434	102.71	27	1.75		
17	1205	86.34	27	2.10	EK87	
18	1107	79.34	27	2.30	EKF87	4P
20	983	70.46	27	2.60	EKA87	
23	879	63.00	27	2.90	EKA87	
25	791	56.64	27	3.20	EKA87	
13	1588	113.75	14	0.90		
15	1357	97.21	15	1.05	EK77	
16	1244	89.12	16	1.15	EKF77	4P
18	1091	78.20	17	1.35	EKA77	
19	1034	74.11	17	1.40	EKA77	
22	905	64.86	17	1.60		
24	816	58.44	18	1.80		
28	715	51.26	18	2.00		
32	631	45.24	18	2.30	EK77	4P
36	560	40.10	19	2.60	EKF77	
41	492	35.25	19	3.00	EKA77	
46	432	30.93	19	3.40	EKA77	
49	409	29.31	19	3.60		
56	358	25.66	19	4.10		
24	847	60.66	9.0	0.90		
25	799	57.28	10	0.95	EK67	
29	681	48.77	11	1.15	EKF67	4P
32	619	44.32	11	1.25	EKA67	
37	536	38.39	11	1.40	EKA67	
40	497	35.61	12	1.55		
47	422	30.21	12	1.80		
52	381	27.27	12	2.00		
60	335	23.99	12	2.20		
63	316	22.66	12	2.30		
74	269	19.29	12	2.60		
82	245	17.53	12	2.80	EK67	4P
94	212	15.19	12	3.10	EKF67	
108	185	13.22	12	3.40	EKA67	
115	174	12.48	12	2.80	EKA67	
135	148	10.63	12	3.20		
148	135	9.66	12	3.30		
171	117	8.37	12	3.50		
196	102	7.28	12	3.90		
32	620	44.43	4.8	0.90	EK57	4P
37	537	38.49	7.5	1.05	EKF57	
40	498	35.70	7.8	1.15	EKA57	
47	423	30.28	7.8	1.35	EKA57	
52	382	27.34	7.8	1.45		
59	336	24.05	7.6	1.65		
63	317	22.71	7.6	1.75		
74	270	19.34	7.4	2.00	EK57	4P
81	245	17.57	7.2	2.10	EKF57	
94	212	15.22	7.1	2.40	EKA57	
108	185	13.25	6.9	2.60	EKA57	
120	166	11.92	6.5	2.80		
127	157	11.26	6.5	2.50		
149	134	9.59	6.5	2.90		
164	122	8.71	6.5	3.20		
55	362	25.91	5.0	1.05	EKA47	4P
66	304	21.81	5.0	1.25	EKA47	
73	273	19.58	5.0	1.35	EKA47	

选型参数表
(恒功率)

选型参数表
(恒功率)

n _a [r/min]	Ma [Nm]	i	F _{ra} [kN]	f _b	机型号 Type size	极数 Pole
3.0kW						
7.3	3544	196	62	2.25	EK107R77	
8.2	3146	174	62	2.55	EKF107R77	4P
9.3	2785	154	62	2.85	EKA107R77	
10	2531	140	62	3.15	EKA107R77	
5.5	4665	258	38	0.90	EK97R57	
6.2	4195	232	38	1.00	EKF97R57	4P
7.2	3598	199	38	1.20	EKA97R57	
4.9	5500	443.47	62	1.40	EKA97R57	
5.8	4656	121.46	62	1.65	EK107	8P
6.3	4309	112.41	62	1.80	EKF107	
7.0	3862	100.75	62	2.00	EKA107	
7.8	3487	90.96	62	2.20	EKA107	
6.7	4068	143.47	62	1.85	EK107	6P
7.9	3444	121.46	62	2.20	EKF107	
8.5	3187	112.41	62	2.30	EKA107	
9.5	2856	100.75	62	2.60	EKA107	
10	2731	143.47	62	2.70	EKF107	4P
12	2312	121.46	62	3.20	EKA107	
7.7	3514	123.93	38	1.15	EK97	
9.1	2981	105.13	38	1.35	EKF97	6P
9.9	2744	96.80	38	1.45	EKA97	
11	2453	86.52	38	1.65	EKA97	
8.1	3351	176.05	38	1.20	EK97	4P
9.3	2916	153.21	38	1.35	EKF97	
10	2670	140.28	38	1.50	EKA97	
12	2359	123.93	38	1.70	EKA97	
14	2001	105.13	38	2.00		
15	1842	96.80	38	2.20	EK97	4P
17	1647	86.52	38	2.40	EKF97	
18	1482	77.89	38	2.70	EKA97	
20	1343	70.54	38	3.00	EKA97	
23	1191	62.55	38	3.40		
25	1076	56.55	38	3.70		
9.7	2804	147.32	26	0.90	EK87	4P
11	2416	126.91	26	1.05	EKF87	
12	2204	115.82	26	1.15	EKA87	
14	1955	102.71	27	1.30	EKA87	
17	1643	86.34	27	1.55		
18	1510	79.34	27	1.65		
20	1341	70.46	27	1.85	EK87	4P
23	1199	63.00	27	2.10	EKF87	
25	1078	56.64	27	2.30	EKA87	
29	936	49.16	27	2.70	EKA87	
32	838	44.02	27	2.90		
39	695	36.52	27	3.30		
16	1696	89.12	12	0.85		
18	1488	78.20	14	0.95	EK77	4P
19	1411	74.11	15	1.00	EKF77	
22	1234	64.86	16	1.15	EKA77	
24	1112	58.44	17	1.30	EKA77	
28	976	51.26	17	1.50		
32	861	45.24	18	1.70		
36	763	40.10	18	1.90		
37	732	38.45	18	2.20	EK77	4P
41	671	35.25	18	2.50	EKF77	
46	589	30.93	18	2.80	EKA77	
49	558	29.31	18	3.00	EKA77	
56	488	25.66	18	3.40		
62	440	23.11	18	3.80		
71	386	20.28	18	4.30		
32	844	44.32	9.0	0.90		
37	731	38.39	10	1.00	EK67	4P
40	678	35.61	11	1.15	EKF67	
47	575	30.21	11	1.35	EKA67	
52	519	27.27	11	1.45	EKA67	
60	457	23.99	12	1.65		
63	431	22.66	12	1.70		
74	367	19.29	12	1.95		
82	334	17.53	12	2.10		
94	289	15.19	12	2.20	EK67	4P
108	252	13.22	12	2.50	EKF67	
115	238	12.48	12	2.10	EKA67	
135	202	10.63	12	2.30	EKA67	
148	184	9.66	12	2.40		
171	159	8.37	12	2.70		
196	139	7.28	12	3.10		
47	576	30.28	6.8	0.95	EK57	4P
52	520	27.34	6.8	1.05	EKF57	
59	458	24.05	6.8	1.20	EKA57	
63	432	22.71	6.8	1.30		
74	368	19.34	6.7	1.45		
81	334	17.57	6.7	1.55		
94	290	15.22	6.5	1.70	EK57	4P
108	252	13.25	6.4	1.90	EKF57	
120	227	11.92	6.1	1.70	EKA57	
127	214	11.26	6.1	1.80	EKA57	
149	183	9.59	5.9	2.10		
164	166	8.71	5.8	2.20		
189	144	7.55	5.6	2.40		
218	125	6.57	5.5	2.60		
73	373	19.58	4.2	1.00	EK47	4P
85	321	16.86	4.3	1.10	EKA47	
90	302	15.86	4.3	1.15	EKA47	
105	260	13.65	4.3	1.30		
117	232	12.19	4.3	1.40		
121	224	11.77	4.2	1.15	EK47	4P
135	201	10.57	4.1	1.30	EKF47	
157	173	9.10	4.1	1.50	EKA47	
167	163	8.56	4.1	1.55	EKA47	
194	140	7.36	4.0	1.65		
217	125	6.58	3.9	1.80		
246	111	5.81	3.8	1.95		
160	170	8.91	1.9	0.90		
180	152	7.96	1.9	0.95	EK37	4P
210	129	6.80	2.0	1.10	EKF37	
224	121	6.37	2.0	1.10	EKA37	
267	102	5.36	2.0	1.30	EKA37	

选型参数表
(恒功率)

Selection Table
(Constant Power)

n_a [r/min]	Ma [Nm]	i	F_{ra} [kN]	f_b	机型号 Type size	极数 Pole
4.0kW						
1.7	19991	835	171	2.50	EK187R107	4P
3.2	10774	450	171	4.00	EKA187R107	8P
0.64	53916	2252	62	0.80	EKA107	8P
0.71	48553	2028	62	0.90	EKA107	8P
0.78	43956	1836	62	1.00	EKA107	8P
0.88	38976	1628	62	1.10	EKA107	8P
1.1	31746	1326	62	1.25	EKA187R97	4P
1.2	29855	1247	62	1.45	EKA107	4P
1.3	25689	1073	62	1.70	EKA107	4P
1.5	22385	935	62	1.95	EKA107	4P
1.7	20254	846	62	2.20	EKA107	4P
1.0	33135	1384	62	0.90	EKA107	4P
1.1	30501	1274	62	1.00	EKA107	4P
1.3	26192	1094	62	1.20	EKA107	4P
1.6	22241	929	62	1.40	EKA167R97	4P
1.7	20063	838	62	1.55	EKA107	4P
1.9	17812	744	62	1.75	EKA107	4P
2.3	15035	628	62	2.10	EKA107	4P
1.7	20829	870	62	0.85	EK97	4P
1.9	18195	760	62	1.15	EKA97	4P
2.5	13647	570	62	1.30	EKF157R97	4P
2.8	12210	510	62	1.45	EKA157R97	4P
3.3	10462	437	62	1.70	EKA157R97	4P
2.7	12952	541	62	1.00	EK127R87	4P
3.0	11420	477	62	1.15	EKF127R87	4P
3.4	10127	423	62	1.30	EKF127R87	4P
3.9	8834	369	62	1.45	EKA127R87	4P
4.3	7972	333	62	1.65	EKA127R87	4P
5.0	6919	289	62	1.90	EKA127R87	4P
5.7	6081	254	62	2.15	EKA127R87	4P
2.4	14484	605	62	0.90	EK127R77	4P
2.6	13120	548	62	1.00	EKF127R77	4P
3.0	11324	473	62	1.15	EKA127R77	4P
3.5	9816	410	62	1.30	EKA127R77	4P
4.0	8715	364	62	1.45	EKA107R77	4P
4.5	7613	318	62	1.65	EKA107R77	4P
5.0	6847	286	62	1.90	EKA107R77	4P
5.7	6009	251	62	2.15	EKA107R77	4P
6.5	5315	222	62	2.40	EKA107R77	4P
7.3	4692	196	62	2.70	EKA107R77	4P
8.3	4166	174	62	3.00	EKA107R77	4P
9.4	3687	154	62	3.30	EKA107R77	4P
10	3352	140	62	3.60	EKA107R77	4P
7.2	4764	199	38	0.90	EK97R57	4P
					EKA97R57	4P
					EKA97R57	4P
					EKA97R57	4P
5.3	6809	135.09	78	1.80	EKF127	8P
5.9	6159	122.20	78	2.00	EKA127	8P
6.6	5527	109.66	78	2.20	EKA127	8P
6.4	5107	149.04	78	2.20	EK127	6P
7.1	4619	135.09	78	2.40	EKF127	6P
7.9	4145	122.20	78	2.70	EKA127	6P
8.8	4249	109.66	78	3.00	EKA127	6P

选型参数表
(恒功率)

Selection Table
(Constant Power)

n_a [r/min]	Ma [Nm]	i	F_{ra} [kN]	f_b	机型号 Type size	极数 Pole
4.0kW						
48	761	30.21	10	1.00	EK67	4P
53	687	27.27	10	1.10	EKF67	4P
60	605	23.99	11	1.25	EKA67	4P
64	571	22.66	11	1.30	EKA67	4P
75	486	19.29	12	1.45	EKA67	4P
82	442	17.53	12	1.55	EKA67	4P
85	425	16.84	12	1.60	EKA67	4P
95	383	15.19	12	1.70	EK67	4P
109	333	13.22	12	1.90	EKF67	4P
115	315	12.48	12	1.95	EKA67	4P
135	268	10.63	12	2.15	EKA67	4P
149	243	9.66	12	2.30	EKA67	4P
172	211	8.37	12	2.50	EKA67	4P
198	183	7.28	11	2.10	EKA67	4P
60	606	24.05	5.8	0.95	EK97	6P
63	572	22.71	5.9	1.00	EK97	6P
74	487	19.34	5.9	1.10	EK97	6P
82	443	17.57	5.9	1.15	EK97	6P
85	425	16.84	5.9	1.20	EK97	6P
95	383	15.19	5.8	1.30	EK57	6P
109	333	13.22	5.8	1.45	EKF57	6P
121	300	11.92	5.5	1.30	EKA57	6P
128	284	11.26	5.5	1.35	EKA57	6P
150	242	9.59	5.4	1.55	EKA57	6P
165	220	8.71	5.4	1.65	EKA57	6P
191	190	7.55	5.3	1.80	EKA57	6P
219	166	6.57	5.1	1.95	EKA57	6P
5.5kW						
0.9	53593	1628	153	0.80	EK187R97	4P
1.1	43651	1326	165	0.95	EK187R97	4P
1.2	41050	1247	171	1.05	EK187R97	4P
1.4	34137	1037	171	1.25	EKA187R97	4P
1.5	30780	935	171	1.45	EKA187R97	4P
1.7	27850	846	171	1.60	EKA187R97	4P
2.4	20081	610	171	2.00	EKA187R97	4P
2.6	18369	558	171	2.40	EKA187R97	4P
1.3	36014	1094	135	0.85	EK97	4P
1.6	30582	929	135	1.00	EK97	4P
1.7	27586	838	135	1.15	EK97	4P
1.9	24492	744	135	1.25	EK167R97	4P
2.3	20673	628	135	1.50	EKA167R97	4P
2.6	18139	551	135	1.70	EKA167R97	4P
3.0	15571	473	135	2.00	EKA167R97	4P
3.4	13826	420	135	2.30	EKA167R97	4P
2.2	21891	665	104	0.80	EK157R97	4P
2.5	18764	570	106	0.95	EKF157R97	4P
2.8	16789	517	107	1.05	EKA157R97	4P
3.3	14386	430	108	1.25	EKA157R97	4P
3.8	12542	381	109	1.45	EKA157R97	4P
4.2	11193	340	109	1.60	EKA157R97	4P
3.4	13925	423	74	0.95	EK87	4P
3.9	12147	369	76	1.05	EK87	4P
4.3	10962	333	76	1.20	EK127R87	4P
5.0	9514	289	77	1.35	EKA127R87	4P
5.7	8362	254	77	1.55	EKA127R87	4P
6.7	7045	214	78	1.85	EKA127R87	4P
7.1	6650	202	78	1.95	EKA127R87	4P
8.6	5530	168	78	2.35	EKA127R87	4P
9.8	4839	147	78	2.70	EKA127R87	4P

选型参数表
(恒功率)

选型参数表 (恒功率)			Selection Table (Constant Power)			
n_a [r/min]	Ma [Nm]	i	F_{ra} [kN]	f_b	机型号 Type size	极数 Pole
7.5kW						
32	1568	45.24	14	0.95	EK77	4P
36	1390	40.10	15	1.05	EK77	4P
47	1072	30.93	17	1.35	EKF77	4P
49	1016	29.31	17	1.45	EKA77	4P
56	889	25.66	18	1.65	EKA77	4P
62	801	23.11	18	1.85	EKA77	4P
71	703	20.28	18	2.00	EKA77	4P
80	620	17.89	18	2.20	EKA77	4P
91	550	15.86	18	2.40	EKA77	4P
106	469	13.54	18	2.70	EKA77	4P
117	428	12.36	17	2.50	EKA77	4P
133	376	10.84	17	2.80	EKA77	4P
150	332	9.57	17	2.80	EKA77	4P
170	294	8.48	17	3.00	EKA77	4P
199	251	7.24	17	3.30	EKA77	4P
60	831	23.99	9.2	0.90	EK67	4P
64	785	22.66	10	0.95	EK67	4P
75	668	19.29	11	1.05	EKF67	4P
82	607	17.53	11	1.15	EKA67	4P
95	526	15.19	11	1.25	EKA67	4P
109	458	13.22	12	1.40	EKA67	4P
115	432	12.43	12	1.15	EK67	4P
135	368	10.68	12	1.30	EK67	4P
149	335	9.66	12	1.35	EKF67	4P
172	290	8.37	11	1.45	EKA67	4P
198	252	7.28	11	1.55	EKA67	4P
82	609	17.52	4.8	0.85	EK57	4P
95	527	15.22	4.9	0.95	EK57	4P
109	459	13.25	5.0	1.05	EK57	4P
121	413	11.92	4.7	0.95	EKF57	4P
128	390	11.26	4.7	1.00	EKA57	4P
150	332	9.59	4.7	1.15	EKA57	4P
165	302	8.71	4.7	1.20	EKA57	4P
191	262	7.55	4.7	1.30	EKA57	4P
219	228	6.57	4.7	1.45	EKA57	4P
7.5kW						
1.7	37483	835	171	1.30	EK187R107	4P
2.0	32680	728	171	1.50	EKA187R107	4P
2.4	26575	592	171	1.75	EKA187R107	4P
1.3	48167	1073	163	0.90	EK107	4P
1.5	41972	935	171	1.05	EK107	4P
1.7	37977	846	171	1.15	EK107	4P
2.4	27383	610	171	1.45	EKA107	4P
2.6	25049	558	171	1.75	EKA107	4P
3.0	21233	473	171	2.10	EKA107	4P
1.7	37618	838	135	0.85	EK97	4P
1.9	33398	744	135	0.90	EK97	4P
2.3	28191	628	135	1.10	EKA97	4P
2.6	24734	551	135	1.25	EKA97	4P
3.0	21233	473	135	1.45	EKA97	4P
3.4	18854	420	135	1.65	EKA97	4P
4.0	16250	362	135	1.90	EKA97	4P
3.3	19617	437	106	0.95	EK157R97	4P
3.8	17103	381	107	1.05	EKF157R97	4P
4.2	15263	340	108	1.20	EKA157R97	4P
4.9	13153	293	108	1.40	EKA157R97	4P

选型参数表
(恒功率)

选型参数表 (恒功率)			Selection Table (Constant Power)			
n_a [r/min]	Ma [Nm]	i	F_{ra} [kN]	f_b	机型号 Type size	极数 Pole
7.5kW						
23	2977	63.00	23	0.85	EK87	4P
25	2676	56.64	23	0.95	EK87	4P
29	2323	49.16	23	1.10	EKF87	4P
33	2080	44.02	23	1.20	EKA87	4P
39	1726	36.52	23	1.35	EKA87	4P
46	1483	31.38	22	1.70	EKA87	4P
52	1317	27.87	22	1.85	EKA87	4P
58	1178	24.92	22	2.00	EK87	4P
64	1058	22.40	21	2.00	EKF87	4P
74	919	19.44	21	2.40	EKA87	4P
83	823	17.41	20	2.50	EKA87	4P
90	756	16.00	20	2.20	EKA87	4P
100	683	14.45	20	2.90	EKA87	4P
115	593	12.36	20	3.30	EKA87	4P
47	1462	30.93	15	1.00	EK77	4P
49	1385	29.31	15	1.05	EK77	4P
56	1213	25.66	16	1.20	EKF77	4P
62	1092	23.11	17	1.35	EKA77	4P
71	958	20.28	17	1.50	EKA77	4P
80	845	17.89	18	1.60	EKA77	4P
91	749	15.86	17	1.75	EK77	4P
106	640	13.54	17	2.00	EK77	4P
117	584	12.36	16	1.60	EKF77	4P
133	512	10.84	16	1.80	EKA77	4P
150	452	9.57	15	1.95	EKA77	4P
170	401	8.48	15	2.10	EKA77	4P
199	342	7.24	15	2.30	EKA77	4P
11.0kW						
1.7	54222	835	162	0.90	EK107	4P
2.0	47274	728	171	1.05	EK107	4P
2.5	38443	592	171	1.20	EKA107	4P
3.2	29222	450	171	1.45	EKA107	4P
3.7	25520	393	171	1.65	EKA107	4P
4.1	23053	355	171	2.10	EKA107	4P
2.4	39611	610	171	1.00	EK187R97	4P
2.6	36235	558	171	1.20	EKA187R97	4P
3.1	30715	473	171	1.40	EKA187R97	4P
4.9	19481	300	135	1.50	EK107	4P
5.6	17013	262	135	1.70	EKA107	4P
6.1	15650	241	135	1.95	EKA107	4P
6.9	13702	211	135	2.30	EKA107	4P
7.5	12598	194	135	2.30	EKA107	4P
2.6	35780	551	135	0.85	EK97	4P
3.1	30715	473	135	1.00	EKA97	4P
3.5	27273	420	135	1.15	EKA97	4P
4.0	23507	362	135	1.30	EKA97	4P
4.3	22078	340	104	0.80	EK157R97	4P
5.0	19026	293	106	0.95	EKA157R97	4P
6.8	13896	214	74	0.95	EK127R87	4P
7.2	13117	202	75	1.00	EKA127R87	4P
8.7	10909	168	76	1.20	EKA127R87	4P
9.9	9546	147	77	1.35	EKA127R87	4P
5.6	17723	129.64	135	1.60	EK167	8P
6.3	15951	116.68	135	1.85	EKA167	8P
6.7	14859	108.69	135	2.00	EKA167	8P
11.0kW						
6.1	16449	159.88	135	1.80	EK167	6P
6.7	14914	144.96	135	2.05	EKA167	6P
7.5	13338	129.64	135	2.20	EKA167	6P
9.1	10929	109.88	135	2.70	EKA167	6P
10	9909	100.99	135	3.05	EKA167	6P
11	8861	129.64	135	3.30	EKA167	6P
5.9	16849	123.25	107	1.00	EK157	8P
7.3	13653	99.87	108	1.25	EKF157	8P
7.9	12622	92.33	108	1.35	EKA157	8P
9.0	11039	80.75	109	1.55	EKA157	8P
6.4	15685	152.45	107	1.10	EK157	6P
7.9	12680	123.25	108	1.35	EK157	6P
9.7	10275	99.87	109	1.65	EKF157	6P
10.5	9499	92.33	110	1.80	EKA157	6P
12.0	8308	80.75	110	2.10	EKA157	6P
9.6	10421	152.45	109	1.65	EK157	4P
12	8425	123.25	110	2.00	EKF157	4P
15	6827	99.87	110	2.50	EKA157	4P
16	6311	92.33	110	2.70	EKA157	4P
11	9234	135.09	77	1.30	EK127	4P
12	8353	122.20	77	1.45	EK127	4P
13	7496	109.66	77	1.60	EKF127	4P
16	6090	89.10	78	2.00	EKA127	4P
18	5552	81.23	78	2.20	EKA127	4P
21	4841	70.82	78	2.50	EKA127	4P
23	4259	62.31	78	2.80	EKA127	4P
28	3620	52.96	78	3.20	EKA127	4P
13	7684	112.41	55	1.00	EK107	4P
14	6887	100.75	55	1.10	EKF107	4P
16	6218	90.96	55	1.20	EKA107	4P
18	5647	82.61	55	1.35	EKA107	4P
20	5010	73.30	54	1.50	EKA107	4P
22	4547	66.52	53	1.65	EKA107	4P
26	3908	57.17	52	1.90	EK107	4P
29	3411	49.90	51	2.20	EKF107	4P
34	2893	42.33	50	2.40	EKA107	4P
39	2529	37.00	49	2.70	EKA107	4P
45	2234	32.68	49	3.00	EKA107	4P
47	2138	31.28	48	3.00	EKA107	4P
50	1982	28.99	48	3.20	EKA107	4P
21	4822	70.54	31	0.85	EK97	4P
23	4276	62.55	31	0.95	EKF97	4P
26	3865	56.55	31	1.05	EKA97	4P
30	3276	47.93	31	1.25	EKA97	4P
35	2862	41.87	31	1.40	EKA97	4P
38	2617	38.29	30	1.55	EKA97	4P
43	2339	34.22	30	1.70	EKA97	4P
47	2106	30.81	30	1.90	EKA97	4P
52	1907	27.90	29	2.10	EKA97	4P
59	1691	24.74	29	2.40	EKA97	4P
65	1529	22.37	28	2.60	EKA97	4P
77	1296	18.96	28	3.00	EKA97	4P
88	1132	16.56	28	3.30	EKA97	4P
105	947	13.85	28	3.80	EKA97	4P
33	3009	44.02	19	0.80	EK87	4P
40	2496	36.52	19	0.95	EK87	4P
47	2145	31.38	20	1.20	EKF87	4P
52	1905	27.87	20	1.30	EKA87	4P
59	1703	24.92	19	1.40	EKA87	4P

选型参数表
(恒功率)

选型参数表
(恒功率)

n _a [r/min]	Ma [Nm]	i	F _{ra} [kN]	f _b	机型号 Type size	极数 Pole	n _a [r/min]	Ma [Nm]	i	F _{ra} [kN]	f _b	机型号 Type size	极数 Pole
11.0kW													
65	1531	22.40	19	1.40		4P	11	12592	135.09	75	0.95	EK127	4P
75	1329	19.44	19	1.60			12	11390	122.20	76	1.10	EKA127	
84	1190	17.41	19	1.75			13	10221	109.66	77	1.20	EKAF127	
91	1094	16.00	18	1.55	EK87		16	8305	89.10	77	1.45		
101	988	14.45	18	2.00	EKF87		18	7571	81.23	77	1.60	EK127	
116	859	12.56	18	2.20	EKA87		21	6601	70.82	78	1.85	EKF127	
131	763	11.16	17	1.85	EKA87		23	5808	62.31	76	2.10	EKA127	
146	684	10.00	17	2.10			28	4936	52.96	74	2.50	EKAF127	
176	567	8.29	16	2.30			31	4348	46.65	72	2.80		
202	493	7.21	16	2.50			36	3768	40.42	72	3.20		
63	1580	23.11	14	0.90			16	8478	90.96	48	0.90	EK107	
72	1386	20.28	15	1.00			18	7700	82.61	49	1.00	EKF107	
82	1223	17.89	16	1.10	EK77		20	6832	73.30	49	1.10	EKA107	
92	1084	15.86	16	1.20	EK77		22	6200	66.52	48	1.25	EKAF107	
108	926	13.54	15	1.35	EKF77		26	5329	57.17	48	1.45		
118	845	12.36	15	1.10	EKA77		29	4651	49.90	48	1.60		
135	741	10.84	15	1.25	EKA77		34	3946	42.33	47	1.75	EK107	
153	654	9.57	14	1.35			39	3449	37.00	46	2.00	EKF107	
172	580	8.48	14	1.45			45	3046	32.68	45	2.20	EKA107	
202	495	7.24	14	1.55			47	2915	31.28	44	2.20		
15.0kW													
2.5	52422	592	161	0.90			50	2702	28.99	44	2.50	EKAF107	
3.2	39848	450	171	1.05	EK187R107	4P	55	2452	26.31	44	2.70		
3.7	34800	393	171	1.20	EKA187R107		65	2107	22.61	44	3.20		
4.1	31435	355	171	1.35			30	4468	47.93	27	0.90		
6.5	20012	226	171	2.10			35	3903	41.87	27	1.05	EK97	
4.9	26565	300	135	1.10			38	3569	38.29	27	1.15	EKF97	
5.6	23200	262	135	1.30			43	3190	34.22	27	1.30	EKA97	
6.1	21341	241	135	1.45			47	2872	30.81	27	1.40	EKAF97	
6.9	18684	211	135	1.65	EK167R107	4P	52	2601	27.90	27	1.55		
7.5	17179	194	135	1.75			59	2306	24.74	27	1.75		
8.2	15762	178	135	1.95			65	2085	22.37	26	1.95	EK97	
9.7	13371	151	135	2.20			77	1767	18.96	26	2.30	EKF97	
6.2	20809	235	105	0.85			88	1544	16.56	25	2.70	EKA97	
6.8	19127	216	106	0.95			105	1291	13.85	25	3.00	EKAF97	
7.7	16825	190	107	1.05	EKF157R107	4P	122	1118	11.99	25	3.30		
9.2	14079	159	108	1.30	EKA157R107		140	970	10.41	25	3.80		
12	10980	124	109	1.65	EKA157R107		168	812	8.71	25	4.50		
14	9563	108	110	1.90			47	2925	31.38	16	0.90		
5.5	24804	176.80	171	1.90	EK187	6P	52	2598	27.87	17	0.95	EK87	
6.0	22532	160.60	171	2.10	EKA187		59	2323	24.92	17	1.00	EKF87	
7.5	18188	129.64	135	1.60	EK167	6P	65	2088	22.40	17	1.05	EKA87	
8.3	16370	116.68	135	1.85	EKA167		75	1812	19.44	17	1.20	EKAF87	
8.9	15249	108.69	135	1.95			84	1623	17.41	17	1.30		
9.1	14903	159.88	135	2.00	EK167	4P	91	1491	16.00	16	1.15		
10	13512	144.96	135	2.25	EKA167		101	1347	14.45	17	1.50	EK87	
11	12084	129.64	135	2.40			116	1171	12.56	17	1.60	EKF87	
7.9	17292	123.25	107	1.00	EK157	4P	131	1040	11.16	16	1.35	EKA87	
9.7	14011	99.87	108	1.20	EKF157		146	932	10.00	16	1.55	EKAF87	
11	12954	92.33	108	1.35	EKA157		176	773	8.29	15	1.70		
12	11329	80.75	109	1.55	EKAF157		202	672	7.21	15	1.85		
14	9540	68.00	109	1.75			18.5kW						
9.6	14210	152.45	108	1.20			3.3	48811	450	159	0.85		
12	11488	123.25	109	1.50	EK157	4P	3.7	42628	393	171	1.00	EK187R107	
15	9309	99.87	108	1.85	EKF157		4.1	38506	355	171	1.25	EKA187R107	
16	8606	92.33	107	2.00	EKA157		6.5	24514	226	171	1.70		
18	7527	80.75	104	2.30	EKAF157		7.7	20718	191	171	2.00		
21	6358	68.00	104	2.70			22kW						
24	5719	61.36	104	3.00			3.7	50693	393	155	0.85		

选型参数表
(恒功率)

选型参数表
(恒功率)

n _a [r/min]	Ma [Nm]	i	F _{ra} [kN]	f _b	机型号 Type size	极数 Pole	n _a [r/min]	Ma [Nm]	i	F _{ra} [kN]	f _b	机型号 Type size	极数 Pole
15.5kW													
4.9	32541	300	135	0.90			35	4833	42.33	44	1.45		
5.6	28419	262	135	1.05			40	4225	37.00	43	1.60		
6.1	26141	241	135	1.20			45	3731	32.68	43	1.85	EK107	
7.0	22887	211	135	1.35	EK167R107	4P	51	3348	31.28	43	1.80		
7.6	21043	194	135	1.40	EKA167R107		57	3110	28.99	42	2.10	EKF107	
8.3	19307	178	135	1.60			56	3004	26.31	42	2.30	EKA107	
9.7	16379	151	135	1.80			65	2582	22.61	41	2.60	EKAF107	
11	13884	128	135	2.10			74	2254	19.74	40	3.00		
13	12149	112	135	2.40			88	1911	16.74	38	3.50		
7.7	20609	190	105	0.90	EK157R107	4P	35	4781	41.87	24	0.85	EK97	
9.2	17247	159	107	1.05	EKF157R107		48	3518	30.81	25	1.15	EKF97	
12	13450	124	108	1.35	EKA157R107		53	3186	27.90	25	1.30	EKA97	
14	11715	108	107	1.55	EKAF157R107		59	2825	24.74	25	1.45	EKAF97	
5.5	30592	176.80	171	1.35			66	2554	22.37	25	1.60		
6.0	27789	160.60	171	1.65	EK187	6P	78	2165	18.96	24	1.90	EK97	
6.7	24868	143.72	171	1.90	EKA187		89	1891	16.56	24	2.20	EKF97	
7.3	23013	133.00	171	2.10			106	1581	13.85	24	2.60	EKA97	
8.3	20187	116.80	171	2.30			123	1369	11.99	23	2.70	EKAF97	
9.2	18337	106.60	171	2.50	EK187	4P	141	1189	10.41	23	3.00		
10	16410	143.72	171	2.90	EKA187		169	994	8.71	23	3.50		
11	15186	133.00	171	3.20			59	2845	24.92	15	0.85		
10	16551	144.96	135	1.70			66	2558	22.40	15	0.85		
11	14802	129.64	135	1.95			76	2220	19.44	15	1.00		
13	13322	116.68	135	2.25	EK167	4P	84	1988	17.41	16	1.05	EK87	
14	12410	108.69	135	2.40	EKA167		102	1650	14.45	16	1.20	EKF87	
15	11034	96.64	135	2.70			117	1434	12.56	16	1.30	EKA87	
17	9786	85.71	135	3.00			132	1274	11.16	15	1.10	EKA87	
9.7	15976	99.87	106	1.00	EK157	6P	147	1142	10.00	15	1.25		
11	13972	92.33	107	1.10	EKF157		177	947	8.29	14	1.40		
12	11766	80.75	106	1.25	EKA157		204	823	7.21	14	1.50		
14	21326	68.00	104	1.40	EKAF157		22kW						
12	14072	123.25	106	1.20			3.7	50693	393	155	0.85		
15	11403	99.87	104	1.50									

选型参数表
(恒功率)

Selection Table
(Constant Power)

n _a [r/min]	Ma [Nm]	i	F _{ra} [kN]	f _b	机型号 Type size	极数 Pole	n _a [r/min]	Ma [Nm]	i	F _{ra} [kN]	f _b	机型号 Type size	极数 Pole
22kW													
11	17602	129.64	135	1.65			76	2640	19.44	14	0.80		
13	15843	116.68	135	1.90		4P	84	2364	17.41	14	0.90		
14	14758	108.69	135	2.00	EK167		102	1962	14.45	14	1.00	EK87	
15	13122	96.64	135	2.20	EKA167		117	1705	12.56	15	1.10	EK97	4P
17	11638	85.71	135	2.50			132	1515	11.16	13	0.95	EKA87	
19	10402	76.61	135	2.90			147	1358	10.00	13	1.05	EKA187	
9.7	20550	99.87	101	0.85			177	1126	8.29	14	1.20		
11	18999	92.33	101	0.90	EK157		204	979	7.21	13	1.25		
30kW													
12	16616	80.75	100	1.05	EK157		6.5	39752	226	171	1.05		
14	13992	68.00	99	1.20	EKA157		7.7	33596	191	171	1.25	EK187R107	4P
16	12626	61.36	98	1.35	EKA157		8.8	29375	167	171	1.45	EKA187R107	
12	16735	123.25	100	1.05			10	24801	141	171	1.70		
15	13560	99.87	99	1.25			7.0	37114	211	135	0.85		
16	12536	92.33	98	1.35	EK157		7.6	34124	194	135	0.85		
18	10964	80.75	97	1.55	EK157		8.3	31309	178	135	1.00	EK167R107	4P
22	9233	68.00	95	1.80	EKA157		9.7	26560	151	135	1.10	EKA167R107	
24	8331	61.36	93	2.10	EKA157		11	22515	128	135	1.30		
27	7446	54.84	91	2.30			13	19700	112	135	1.50		
31	6475	47.69	89	2.70			8.3	32735	176.80	171	1.45		
38	5253	38.69	85	3.30			9.2	29736	160.60	171	1.55		
16	12098	89.10	70	1.00	EK127		10	26610	143.72	171	1.75		
18	11029	81.23	70	1.10	EK127		12	24625	133.00	171	2.00	EK187	4P
21	9616	70.82	70	1.30	EKA127		12	21965	118.63	171	2.22	EKA187	
24	8460	62.31	69	1.45	EKA127		14	18797	101.52	171	2.30		
28	7191	52.96	67	1.70			16	16842	90.96	171	2.50		
32	6334	46.65	67	1.90			20	13566	73.27	171	2.90		
36	5488	40.42	66	2.30	EK127		13	21604	116.68	135	1.30		
41	4926	36.28	64	2.50	EK127		14	20124	108.69	135	1.50		
46	4295	31.63	63	2.90	EKA127		15	17893	96.64	135	1.70		
53	3779	27.83	61	3.30	EKA127		17	15869	85.71	135	1.85	EK167	4P
62	3211	23.65	60	3.80			19	14185	76.61	135	2.10	EKA167	
71	2828	20.83	58	4.30			22	12524	67.64	135	2.40		
88	2273	16.74	37	2.90	EK107		24	11172	60.34	135	2.70		
26	7762	57.17	41	1.00	EK107		29	9426	50.91	135	3.20		
29	6775	49.90	41	1.10	EKA107		15	18491	99.87	88	0.90		
35	5748	42.33	41	1.20	EKA107		16	17095	92.33	88	1.00		
40	5024	37.00	41	1.35			18	14951	80.75	88	1.15	EK157	
45	4437	32.68	41	1.55			22	12590	68.00	87	1.30	EK157	4P
47	4220	31.28	41	1.50			24	11361	61.36	86	1.50	EKA157	
51	3936	28.99	40	1.75			27	10154	54.84	85	1.70	EKA157	
56	3572	26.31	40	1.90			31	8830	47.69	83	1.95		
65	3070	22.61	39	2.20	EK107		38	7164	38.69	81	2.40		
74	2680	19.74	38	2.50	EK107		47	5840	31.54	78	3.00		
88	2273	16.74	37	2.90	EKA107		21	13113	70.82	61	0.95		
100	1986	14.63	36	3.30	EKA107		24	11537	62.31	61	1.05		
109	1824	13.43	35	2.20			28	9806	52.96	61	1.25		
125	1591	11.72	34	2.60			32	8637	46.65	61	1.40	EK127	4P
148	1350	9.94	33	2.90			36	7484	40.42	61	1.65	EK127	
169	1180	8.69	32	3.20			41	6717	36.28	60	1.85	EKA127	
48	4183	30.81	22	0.95	EK97		46	5856	31.63	59	2.10	EKA127	4P
53	3788	27.90	23	1.05	EK97		53	5153	27.83	58	2.40		
59	3359	24.74	23	1.20	EKA97		62	4379	23.65	57	2.80		
66	3037	22.37	23	1.35	EKA97		71	3857	20.83	56	3.00		
78	2574	18.96	23	1.60			81	3342	18.05	56	3.50		
89	2248	16.56	23	1.80	EK97		35	7838	42.33	34	0.90	EK107	4P
106	1881	13.85	23	2.20	EK97		40	6851	37.00	36	1.00	EK107	
123	1628	11.99	22	2.50	EKA97		47	5792	31.28	34	1.10	EKA107	
141	1413	10.41	21	1.90	EKA97								
169	1183	8.71	20	2.10									

选型参数表
(恒功率)

Selection Table
(Constant Power)

n _a [r/min]	Ma [Nm]	i	F _{ra} [kN]	f _b	机型号 Type size	极数 Pole	n _a [r/min]	Ma [Nm]	i	F _{ra} [kN]	f _b	机型号 Type size	极数 Pole
30kW													
51	5368	28.99	36	1.25			40	8392	37.00	28	0.80		
56	4871	26.31	36	1.40			47	7096	31.28	30	0.90		
65	4186	22.61	36	1.65			51	6575	28.99	32	1.05		
74	3655	19.74	35	2.20	EK107	4P	56	5967	26.31	33	1.15		
88	3099	16.74	35	2.20	EK107		65	5128	22.61	33	1.30	EK107	
100	2709	14.63	34	2.40	EKA107		75	4477	19.74	33	1.50	EK107	4P
109	2487	13.43	33	1.65	EKA107		88	3797	16.74	33	1.75	EKA107	
125	2170	11.72	32	1.90			101	3318	14.63	32	1.95	EKA107	
148	1840	9.94	31	2.20			110	3046	13.43	31	1.35		
169	1609	8.69	31	2.40			126	2658	11.72	30	1.55		
39	4581	24.74	19	0.90			149	2255	9.94	30	1.75		
66	4142	22.37	19	1.00	EK97		170	1971	8.69	29	1.95		
78	3511	18.96	20	1.15	EK97	4P							
89	3066	16.56	20	1.35	EK97								
106	2564	13.85	20	1.60	EKA97								
123	2220	11.99	20	1.65	EKA97								
141	1927	10.41	19	1.40									
169	1613	8.71	18	1.55									
37kW													
6.5	48697	226	158	0.85		4P	8.3	38354	178	135	0.80		
7.7	41155	191	171	1.00	EK187R107		10	32536	151	135	0.90	EK167R107	4P
8.9	35984	167	171	1.15	EKA187R107		12	27580	128	135	1.05	EKA167R107	
10	30382	141	171	1.40			13	24133	112	135	1.20		
8.3	38354	178	135	0.80			14	40100	176.80	171	1.15		
9.2	36426	160.60	171	1.25			18	32597	143.72	171	1.45		
11	30166	133.00	171	1.60	EK187	4P	22	25342	128.63	171	1.75	EKA187	
12	26904	118.62	171	1.75	EKA187		25	23686	118.62	171	1.85		
15	23026	101.52	171	1.85			20	16619	73.27	171	2.40		
16	20631	90.96	171	2.00			22	15178	66.92	171	2.60		
20	16619	73.27	171	2.40			14	24652	108.69	135	1.20		
22	15178	66.92	171	2.60			15	21919	96.64	135	1.35		
22	15178	66.92	171	2.60			17	19440	85.71	135	1.50		
22	15178	66.92	171	2.60			19	17376	76.61	135	1.70	EK167	4P
22	15178	66.92	171	2.60									

选型参数表
(恒功率)

选型参数表
(Constant Power)

n _a [r/min]	Ma [Nm]	i	F _{ra} [kN]	f _b	机型号 Type size	极数 Pole	n _a [r/min]	Ma [Nm]	i	F _{ra} [kN]	f _b	机型号 Type size	极数 Pole
45kW													
32	12869	46.65	50	0.95	EK127	4P	63	7974	23.65	47	1.55	EK127	4P
37	11150	40.42	51	1.10	EKA127		71	7023	20.83	47	1.75	EKF127	
41	10008	36.28	51	1.25	EKAF127		82	6086	18.05	47	2.00	EKF127	
47	8725	31.63	52	1.40			103	4842	14.36	46	2.40	EKA127	
53	7677	27.83	51	1.60		115	4339	12.87	44	1.85	EKAF127	4P	
63	6524	23.65	51	1.85		133	3759	11.15	43	2.10			
71	5746	20.83	51	2.10	EK127	167	2991	8.87	41	2.30			
82	4979	18.05	50	2.50	EK127	111	61147	133.00	48	0.80			
75kW													
103	3961	14.36	48	2.90	EKA127	12	54536	118.62	148	0.85		4P	
115	3550	12.87	46	2.30	EKAF127	15	46674	101.52	149	0.90			
133	3076	11.15	45	2.50		16	41819	90.96	150	1.00			
167	2447	8.87	43	2.80		20	33686	73.27	150	1.15			
51	7997	28.99	24	0.85	EK107	22	30767	66.92	149	1.40		4P	
56	7258	26.31	27	0.95	EKF107	24	27847	60.57	147	1.60			
65	6237	22.61	29	1.10	EKA107	28	24721	53.77	144	1.95			
75	5445	19.74	30	1.25	EKAF107	34	20082	43.68	141	2.30			
88	4618	16.74	30	1.45		37	18312	39.83	140	2.50		4P	
101	4036	14.63	30	1.60	EK107	41	16409	35.69	140	2.80			
110	3705	13.43	28	1.10	EKF107	19	35222	76.61	113	0.85			
126	3233	11.72	28	1.25	EKA107	22	31098	67.64	114	0.95			
149	2742	9.94	28	1.45	EKAF107	25	27742	60.34	115	1.10		4P	
170	2397	8.69	28	1.60		29	23406	50.91	114	1.30			
10	48456	143.72	169	0.95		36	18684	40.64	113	1.55			
11	44841	133.00	171	1.10		41	16643	36.20	111	1.80			
12	39993	118.62	171	1.15		44	15521	33.76	109	2.10		4P	
15	34228	101.52	170	1.25		49	13848	30.12	107	2.30			
16	30668	90.96	168	1.35	EK187	58	11682	25.41	105	2.70			
20	24703	73.27	166	1.60	EKA187	73	9324	20.28	100	3.20			
22	22562	66.92	162	1.90		82	8308	18.07	100	3.60		4P	
24	20421	60.57	159	2.20		88	7788	16.74	98	2.50			
28	18129	53.77	150	2.50		98	6947	15.11	97	2.80			
34	14727	43.68	150	3.00		113	5995	13.04	96	3.20			
17	28897	85.71	131	1.00		47	14542	31.63	37	0.85		4P	
19	25829	76.61	130	1.15		53	12795	27.83	39	0.95			
22	22805	67.64	129	1.30		63	10873	23.65	40	1.10			
25	20344	60.34	128	1.50		71	9577	20.83	41	1.25			
29	17164	50.91	125	1.75	EK167	82	8299	18.05	41	1.50		4P	
36	13702	40.64	121	2.10	EKA167	103	6602	14.36	42	1.75			
41	12205	36.20	119	2.50		115	5917	12.87	39	1.40			
44	11382	33.76	118	2.70		133	5126	11.15	39	1.55			
49	10155	30.12	118	3.00		167	4078	8.87	38	1.70		4P	
58	8567	25.41	118	3.50		16	49846	90.96	136	0.85			
24	20688	61.36	66	0.85		20	40152	73.27	138	1.00			
27	18490	54.84	67	0.95		22	36672	66.92	139	1.15			
31	16079	47.69	68	1.10		28	29466	53.77	137	1.35		4P	
38	13044	38.69	68	1.35	EK157	34	23937	43.68	134	1.90			
47	10634	31.54	67	1.60	EKF157	37	21827	39.83	134	2.00			
56	8955	26.36	67	1.85	EKA157	42	19558	35.69	132	2.20			
62	8082	23.97	66	2.10	EKAF157	52	15755	28.75	130	2.70		4P	
69	7222	21.62	64	2.40									
79	6278	18.62	65	2.80									
98	5094	15.11	62	3.40									
113	4396	13.04	60	3.80	EK127						4P		
37	13628	40.42	45	0.90	EKF127								
47	10664	31.63	47	1.15	EKA127								
53	9383	27.83	47	1.30	EKAF127								

选型参数表
(恒扭矩)

选型参数表
(Constant Torque)

n _a [r/min]	Ma [Nm]	i	F _{ra} [kN]	f _b	机型号 Type size	极数 Pole	n _a [r/min]	Ma [Nm]	i	F _{ra} [kN]	f _b	机型号 Type size	极数 Pole
90kW													
22	37067	67.64	104	0.80		4P	22	53786	66.92	111	0.80		4P
25	33067	60.34	105	0.90			25	48682	60.57	114	0.90		
29	27899	50.91	106	1.05			28	43217	53.77	117	1.10		
37	22271	40.64	106	1.30	EK167		34	35107	43.68	118	1.30		
41	19838	36.20	105	1.50	EK167	37	32013	39.83	118	1.40		4P	
44	18501	33.76	104	1.70	EKA167	42	28685	35.69	118	1.55			
49	16506	30.12	103	1.90		52	23107	28.75	117	1.75			
59	13925	25.41	101	2.30		57	21098	26.25	115	2.10			
73	11114	20.28	98	2.70		63	19097	23.76	113	2.30		4P	
82	9902	18.07	95	3.20		71	16959	21.10	110	2.60			
39	21202	38.69	50	0.80		87	13776	17.14	108	2.80			
47	17284	31.34	53	1.00	EK157	37	32664	40.64	87	0.90			
56	14555	26.56	54	1.10	EKF157	41	29095	36.20	89	1.05		4P	
62	13136	23.97	55	1.30	EKF157	44	27134	33.76	90	1.15			
70	11738	21.42	55	1.45	EKA157	49	24209	30.12	90	1.30			
80	10204	18.62	55	1.70	EKAF157	59	20423	25.41	90	1.55			
99	8280	15.11	55	2.10		73	16300	20.28	89	1.85		4P	
114	7146	13.04	54	2.30		82	14524	18.07	88	2.20			
63	12960	23.65	35	0.95		160kW							
72	11415	20.83	36	1.05	EK127	28	52384	53.77	103	0.90			4P
83	9891	18.05	37	1.25	EKF127	34	42554	43.68	106	1.05			
104	7869	14.36	38	1.45	EKA127	52	28009	28.75	108	1.45			
116	7053	12.87	36	1.15	EKAF127	57	25573	26.25	108	1.75			
134	6110	11.15	36	1.30		63	23148	23.76	107	1.90		4P	
168	4861	8.87	36	1.45		71	20556	21.10	105	2.10			
20	49075	73.27	122	0.80		87	16698	17.14	103	2.30			
22	44822	66.92	126	0.95		41	35267	36.20	78	0.85			4P
25	40569	60.57	127	1.10		59	24755	25.41	83	1.25			
28	36014	53.77	127	1.30		73	19757	20.28	83	1.55			
34	29256	43.68	127	1.55	EK187	82	17604	18.07	82	1.80			
200kW													
37	26677	39.83	126	1.65	EKA187	34	53193	43.68	90	0.85		4P	
42	23905	35.69	125	1.85		52	35011	28.75	97	1.15			
52	19256	28.75	123	2.10		57	31967	26.25	98	1.30			
63	15914	23.76	121	2.50		63	28935	23.76	99	1.40			
71	14132	21.10	120	2.80		71	25695	21.10	98	1.50		4P	
29	34099	50.91	95	0.85		87	20873	17.14	97	1.70			
37	27220	40.64	97	1.05									
41	24246	36.20	97	1.25									
44	22612	33.76	97	1.40	EK167	49	20174	30.12	97	1.55		4P	
49	20174	25.41	95	1.85	EKA167	59	17019	25.41	94	2.20			
73	13583	20.28	94	2.20		73	13583	20.28	94	2.20			
84	11822	17.68	92	2.60		84	11822	17.68	92	2.60			
62	16055	23.97	48	1.05	EKF157	62	16055	23.97	48	1.05			

选型参数表
(恒扭矩)

选型参数表 (恒扭矩)		Selection Table (Constant Torque)							
Mamax [Nm]	n _a [r/min]	F _{ra} [kN]	i	n _a [r/min]	F _{ra} [kN]	机型号 Type size	P [kW]/4P		
200	0.19	6832	5.4	3.5	375	5.6	EK47R37	0.25	
	0.22	5922	5.4	4.1	327	5.6	EK47R37		
	0.24	5491	5.4	4.6	289	5.6	EKA47R37		
	0.28	4759	5.4	5.2	256	5.6	EKA47R37		
	0.31	4160	5.4	5.9	225	5.6	EKA47R37		
	0.36	3645	5.4	6.7	198	5.6	EKA47R37		
	0.41	3205	5.4	8.1	171	5.6	EKA47R37		
	0.47	2801	5.4	9.1	153	5.6	EKA47R37		
	0.53	2454	5.4	11	131	5.6	EKA47R37		
	0.53	2466	5.4	0.11	12169	7.2	EK57R37		0.12
	0.69	1892	5.4	0.12	11162	7.2	EK57R37		
	0.79	1660	5.4	0.14	9503	7.2	EK57R37		
	0.89	1466	5.4	0.15	8597	7.2	EK57R37		
	1.02	1288	5.4	0.18	7277	7.2	EK57R37		
	1.15	1136	5.4	0.20	6478	7.2	EK57R37		
1.32	996	5.4	0.23	5662	7.2	EK57R37			
1.50	876	5.4	0.26	5033	7.2	EK57R37			
1.72	761	5.4	0.30	4340	7.2	EK57R37			
1.95	671	5.4	0.34	3854	7.2	EK57R37			
2.24	585	5.4	0.39	3390	7.2	EK57R37			
2.56	512	5.4	0.45	2924	7.2	EK57R37			
2.90	451	5.4	0.51	2593	7.2	EK57R37			
3.31	396	5.4	0.58	2249	7.2	EK57R37			
3.79	346	5.4	0.66	1986	7.2	EK57R37			
4.31	304	5.4	0.75	1743	7.2	EK57R37			
4.91	267	5.4	0.85	1539	7.2	EK57R37	0.18		
5.60	234	5.4	0.97	1354	7.2	EK57R37			
6.39	205	5.4	1.1	1174	7.2	EK57R37			
7.3	181	5.4	1.3	1036	7.2	EK57R37			
8.3	160	5.4	1.4	906	7.2	EK57R37			
9.8	136	5.4	1.6	806	7.2	EK57R37			
10.5	127	5.4	1.9	699	7.2	EK57R37			
12	110	5.4	2.1	615	7.2	EK57R37			
14	96	5.4	2.4	544	7.2	EK57R37		0.25	
0.13	10138	5.6	2.8	473	7.2	EK57R37			
0.15	8534	5.6	3.2	421	7.2	EK57R37			
0.17	7662	5.6	3.7	362	7.2	EK57R37			
0.19	6826	5.6	4.2	319	7.2	EK57R37			
0.22	5983	5.6	4.8	280	7.2	EK57R37			
0.25	5158	5.6	5.7	246	7.2	EK57R37			
0.28	4601	5.6	6.5	215	7.2	EK57R37			
0.33	3940	5.6	7.2	192	7.2	EK57R37			
0.38	3477	5.6	8.4	166	7.2	EK57R37			
0.43	3043	5.6	9.6	145	7.2	EK57R37			
0.48	2732	5.6	11	129	7.2	EK57R37			
0.56	2354	5.6	13	111	7.2	EK57R37			
0.63	2063	5.6	14	97	7.2	EK57R37			
0.72	1819	5.6	1.1	1222	5.6	EK47R37	0.12		
0.83	1586	5.6	1.2	1097	5.6	EK47R37			
0.94	1388	5.6	1.4	945	5.6	EK47R37			
1.1	1222	5.6	1.6	831	5.6	EKA47R37			
1.2	1097	5.6	1.8	718	5.6	EKA47R37			
1.4	945	5.6	2.1	639	5.6	EKA47R37			
1.6	831	5.6	2.4	552	5.6	EKA47R37			
1.8	718	5.6	2.6	495	5.6	EKA47R37			
2.1	639	5.6	3.1	426	5.6	EKA47R37			
2.4	552	5.6	3.1	426	5.6	EKA47R37		0.18	
2.6	495	5.6	3.1	426	5.6	EKA47R37			
3.1	426	5.6	3.1	426	5.6	EKA47R37			
3.1	426	5.6	3.1	426	5.6	EKA47R37			
3.1	426	5.6	3.1	426	5.6	EKA47R37			
3.1	426	5.6	3.1	426	5.6	EKA47R37			
3.1	426	5.6	3.1	426	5.6	EKA47R37			
3.1	426	5.6	3.1	426	5.6	EKA47R37			
3.1	426	5.6	3.1	426	5.6	EKA47R37			
3.1	426	5.6	3.1	426	5.6	EKA47R37			
3.1	426	5.6	3.1	426	5.6	EKA47R37			
3.1	426	5.6	3.1	426	5.6	EKA47R37			
3.1	426	5.6	3.1	426	5.6	EKA47R37			
3.1	426	5.6	3.1	426	5.6	EKA47R37			

选型参数表
(恒扭矩)

选型参数表 (恒扭矩)		Selection Table (Constant Torque)							
Mamax [Nm]	n _a [r/min]	F _{ra} [kN]	i	n _a [r/min]	F _{ra} [kN]	机型号 Type size	P [kW]/4P		
820	0.18	7259	10	1.4	925	15	EK77R37	0.37	
	0.20	6462	10	1.6	817	15	EK77R37		
	0.23	5648	10	1.9	710	15	EKA77R37		
	0.27	4846	10	2.2	623	15	EKA77R37		
	0.30	4329	10	2.5	553	15	EKA77R37		
	0.35	3750	10	2.9	485	15	EKA77R37		
	0.40	3315	10	3.2	428	15	EKA77R37		
	0.45	2917	10	3.8	368	15	EKA77R37		
	0.52	2532	10	4.3	328	15	EKA77R37		
	0.58	2244	10	4.8	291	15	EKA77R37		
	0.66	1981	10	5.6	252	15	EKA77R37		
	0.75	1739	10	0.09	14828	26	EK67R37		0.18
	0.85	1536	10	0.10	13168	26	EK67R37		
	0.97	1351	10	0.11	11736	26	EK67R37		
	1.1	1171	10	0.13	10217	26	EK67R37		
1.3	1034	10	0.14	9073	26	EK67R37			
1.5	903	10	0.17	7854	26	EK67R37			
1.7	793	10	0.19	6832	26	EK67R37			
1.9	697	10	0.22	5930	26	EK67R37			
2.2	613	10	0.25	5239	26	EK67R37			
2.5	542	10	0.29	4562	26	EK67R37			
2.8	471	10	0.32	4037	26	EK67R37			
3.2	420	10	0.36	3609	26	EK67R37			
3.9	361	10	0.42	3106	26	EK67R37			
4.3	323	10	0.48	2728	26	EK67R37			
5.0	279	10	0.56	2371	26	EK67R37			
5.7	246	10	0.64	2086	26	EK67R37			
6.4	217	10	0.72	1854	26	EK67R37			
7.3	191	10	0.80	1658	26	EK67R37	0.25		
0.09	15336	15	0.80	1658	26	EK67R37			
0.09	14066	15	0.94	1415	26	EK67R37			
0.11	11976	15	1.08	1229	26	EK67R37			
0.13	10234	15	1.3	1078	26	EK67R37			
0.15	8824	15	1.5	951	26	EK67R37			
0.17	7540	15	1.7	837	26	EK67R37			
0.20	6617	15	1.9	726	26	EK67R37			
0.23	5784	15	2.2	638	26	EK67R37			
0.26	5097	15	2.5	562	26	EK67R37			
0.29	4497	15	3.0	474	26	EK67R37			
0.33	3968	15	3.3	426	26	EK67R37			
0.38	3490	15	3.8	373	26	EK67R37			
0.45	2906	15	4.2	330	26	EK67R37			
0.48	2721	15	4.9	294	26	EK67R37			
0.55	2374	15	5.7	250	26	EK67R37			
0.64	2053	15	7.1	201	26	EK67R37			
0.74	1775	15	7.1	201	26	EK67R37			
0.86	1516	15	7.1	201	26	EK67R37			
1.0	1390	15	7.1	201	26	EK67R37			
1.1	1220	15	7.1	201	26	EK67R37			
1.3	1054	15	7.1	201	26	EK67R37			

选型参数表
(恒扭矩)

Selection Table
(Constant Torque)

Mamax [Nm]	n _a [r/min]	F _{ra} [kN]	机型号 Type size	P [kW]/4P	Mamax [Nm]	n _a [r/min]	F _{ra} [kN]	机型号 Type size	P [kW]/4P
4300	0.07	18091	38	EK107R77	8000	0.12	10678	62	EK107R77
	0.08	16666	38	EKF107R77		0.14	9524	62	EKA107R77
	0.09	14896	38	EK97R57		0.16	8328	62	EKA107R77
	0.10	13183	38	EK97R57		0.18	7269	62	EKF107R77
	0.11	11677	38	EK97R57		0.22	6184	62	EKA107R77
	0.13	10317	38	EKA97R57		0.23	5662	62	EKA107R77
	0.14	9083	38	EKA97R57		0.26	5138	62	EKF107R77
	0.16	8055	38	EKA97R57		0.31	4360	62	EKA107R77
	0.19	6969	38	EKA97R57		0.35	3811	62	EKA107R77
	0.22	6027	38	EK97R57		0.41	3358	62	EKF107R77
	0.24	5392	38	EKF97R57		0.47	2977	62	EKA107R77
	0.28	4669	38	EKA97R57		0.54	2598	62	EKA107R77
	0.32	4081	38	EKA97R57		0.61	2286	62	EKF107R77
	0.37	3583	38	EKA97R57		0.72	1939	62	EKA107R77
	0.43	3108	38	EKA97R57		0.82	1713	62	EKF107R77
0.48	2756	38	EKA97R57	0.90	1555	62	EKA107R77		
0.55	2419	38	EKA97R57	1.0	1336	62	EKA107R77		
0.63	2123	38	EKA97R57	1.2	1166	62	EKF107R77		
0.75	1856	38	EK97R57	1.4	1030	62	EKA107R77		
0.86	1625	38	EKF97R57	1.5	904	62	EKA107R77		
0.97	1430	38	EKA97R57	1.8	793	62	EKF107R77		
1.1	1261	38	EKA97R57	2.1	696	62	EKA107R77		
1.3	1102	38	EK97R57	2.3	614	62	EKA107R77		
1.5	957	38	EKA97R57	2.7	522	62	EKF107R77		
1.6	855	38	EKF97R57	3.1	461	62	EKA107R77		
1.9	743	38	EKA97R57	3.5	408	62	EKF107R77		
2.2	651	38	EKA97R57	4.0	364	62	EKA107R77		
2.4	573	38	EK97R57	4.5	318	62	EKF107R77		
2.8	504	38	EKA97R57	5.0	286	62	EKA107R77		
3.3	437	38	EKF97R57	5.7	251	62	EKA107R77		
3.7	382	38	EKA97R57	0.08	17396	75	EK127R87		
4.2	342	38	EKA97R57	0.08	15859	75	EKF127R87		
4.7	305	38	EK97R57	0.09	14843	75	EKA127R87		
5.5	258	38	EKA97R57	0.11	12331	75	EKA127R87		
6.2	232	38	EKA97R57	0.12	10819	75	EKF127R87		
7.2	199	38	EKF97R57	0.14	9801	75	EKA127R87		
8.0	14311	62	EK107R77	0.16	8366	75	EKF127R87		
0.09	14311	62	EKF107R77	0.18	7329	75	EKA127R87		
0.11	12211	62	EKA107R77	0.21	6430	75	EKA127R87		
			EKA107R77						

选型参数表
(恒扭矩)

Selection Table
(Constant Torque)

Mamax [Nm]	n _a [r/min]	F _{ra} [kN]	机型号 Type size	P [kW]/4P	Mamax [Nm]	n _a [r/min]	F _{ra} [kN]	机型号 Type size	P [kW]/4P
13000	0.24	5793	75	EK127R77	18000	0.12	11431	107	EK157R97
	0.28	4924	75	EKF127R77		0.14	10219	107	EKF157R97
	0.32	4332	75	EKA127R77		0.16	8885	107	EKA157R97
	0.36	3854	75	EKA127R77		0.18	7777	107	EKA157R97
	0.42	3282	75	EK127R77		0.27	5102	107	EK157R97
	0.47	2982	75	EKF127R77		0.31	4561	107	EKF157R97
	0.54	2584	75	EKA127R77		0.35	4001	107	EKA157R97
	0.62	2248	75	EKA127R77		0.39	3578	107	EKA157R97
	0.73	1909	75	EK127R77		0.45	3110	107	EKA157R97
	0.80	1741	75	EKF127R77		0.53	2625	107	EK157R97
	0.92	1527	75	EKA127R77		0.60	2346	107	EKA157R97
	1.1	1335	75	EK127R77		0.70	2040	107	EK157R97
	1.2	1171	75	EKF127R77		0.78	1824	107	EKF157R97
	1.4	1000	75	EKA127R77		0.86	1668	107	EKA157R97
	1.6	877	75	EK127R77		1.04	1373	107	EKA157R97
1.8	783	75	EKF127R77	1.2	1236	107	EK157R97		
2.0	698	75	EKA127R77	1.3	1105	107	EKA157R97		
2.4	605	75	EK127R77	1.5	960	107	EK157R97		
2.6	548	75	EKF127R77	1.7	870	107	EKF157R97		
3.0	473	75	EKA127R77	1.9	760	107	EKA157R97		
3.5	410	75	EK127R77	2.2	665	107	EK157R97		
4.0	364	75	EKF127R77	2.5	570	107	EKA157R97		
4.5	318	75	EKA127R77	2.8	510	107	EK157R97		
5.0	286	75	EK127R77	3.3	437	107	EKA157R97		
5.7	251	75	EKF127R77	3.8	381	107	EKF157R97		
6.2	232	75	EKA127R77	4.2	340	107	EKA157R97		
7.2	199	75	EK127R77	5.0	293	107	EK157R97		
8.0	14311	62	EK107R77	5.7	258	107	EKF157R97		
0.09	14311	62	EKF107R77	6.2	235	107	EKA157R97		
0.11	12211	62	EKA107R77	6.8	216	107	EKA157R97		
			EKA107R77						

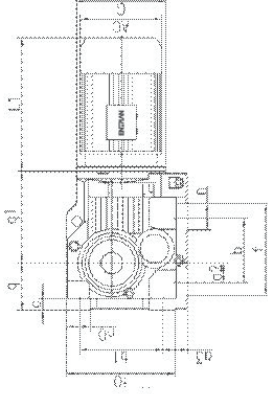
选型参数表
(恒扭矩)

Mamax [Nm]	n _a [r/min]	i	F _{ra} [kN]	机型号 Type size	P [kW]/4P
32000	0.07	19598	135		
	0.08	17297	135		
	0.09	14751	135	EK167R97	0.55
	0.11	13019	135	EKA167R97	
	0.12	11500	135		
	0.14	10199	135		
	0.16	8573	135	EK167R97	0.75
				EKA167R97	
	0.22	6453	135	EK167R97	1.1
	0.27	5266	135	EKA167R97	
	0.30	4708	135	EK167R97	1.5
	0.35	4052	135	EKA167R97	
0.43	3320	135	EK167R97	2.2	
0.52	2709	135	EKA167R97		
0.63	2249	135	EK167R97	3	
0.65	2168	135	EKA167R97		
0.85	1693	135	EK167R97	4	
1.1	1274	135	EK167R97	5.5	
1.3	1094	135	EKA167R97		
1.6	929	135	EK167R97	7.5	
1.7	838	135	EKA167R97		
1.9	744	135			
2.6	551	135	EK167R97	11	
3.1	473	135	EKA167R97		
3.5	420	135	EK167R97	15	
4.0	362	135	EKA167R97		
4.9	300	135	EK167R107	18.5	
			EKA167R107		
5.6	262	135	EK167R107	22	
6.1	241	135	EKA167R107		
7.0	211	135	EK167R107	30	
7.6	194	135	EKA167R107		
8.3	178	135			
9.8	151	135	EK167R107	37	
11.6	128	135	EK167R107	45	
13.2	112	135	EKA167R107		

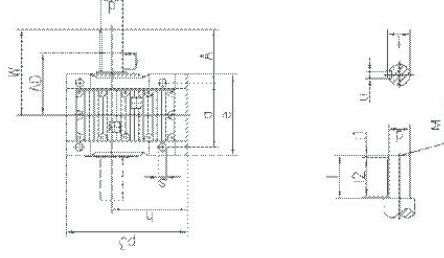
Selection Table
(Constant Torque)

Mamax [Nm]	n _a [r/min]	i	F _{ra} [kN]	机型号 Type size	P [kW]/4P
50000	0.05	29171	171		
	0.06	24289	171	EK187R97	0.55
	0.07	21774	171	EKA187R97	
	0.08	17118	171		
	0.09	15181	171		
	0.11	12761	171	EK187R97	0.75
	0.12	11727	171	EKA187R97	
	0.13	10414	171		
	0.15	9311	171	EK187R97	1.1
	0.17	8372	171	EKA187R97	
	0.19	7266	171		
	0.21	6565	171	EK187R97	1.5
0.23	6033	171	EKA187R97		
0.26	5358	171			
0.30	4790	171	EK187R97	2.2	
0.33	4307	171	EKA187R97		
0.37	3806	171			
0.44	3227	171	EK187R97	3	
0.52	2737	171	EKA187R97		
0.64	2252	171	EK187R97	4	
0.71	2028	171	EKA187R97		
0.78	1836	171			
0.88	1628	171	EK187R97	5.5	
1.1	1326	171	EKA187R97		
1.2	1247	171	EK187R97	7.5	
1.3	1073	171	EKA187R97		
2.4	610	171	EK187R97	15	
2.6	558	171	EKA187R97		
3.1	473	171	EK187R97	18.5	
			EKA187R97		
1.8	835	171	EK187R107	11	
2.0	728	171	EKA187R107		
2.5	592	171	EK187R107	15	
3.3	450	171	EKA187R107		
3.7	393	171	EK187R107	18.5	
4.1	355	171	EKA187R107		
6.6	226	171	EK187R107	37	
			EKA187R107		
7.8	191	171	EK187R107	45	
8.9	167	171	EKA187R107		
10.5	141	171			

EK37 -157
安装结构尺寸



EK37 -157
Mounting Dimensional Description



规格 Specification	a	b	az	bi	q ₁	s	d	li	u	wt	e	c	fo	n	M	电机尺寸 Motor Size		
																AC	AD	LI
EK37	100	28	110	115	139	Φ11	Φ25k6	5	8	110	120	16	150	38			Φ120	
EK47	120	35	130	130	166	Φ11	Φ30k6	3.5	8	135	145	18	170	32			Φ180	
	130	112-0.5	71-0.5	7.2	37			50	33	75	185	37	162	M10				
EK57	130	30	150	173	173	Φ13.5	Φ35k6	7	10	153	157	21	190	40			Φ180	
	130	132-0.5	80-0.5	13.1	45			56	38	88	217	43	172	M12				
EK67	140	30	160	179	179	Φ13.5	Φ40k6	5	12	171	170	24	203	45			Φ160	
	120	140-0.5	90-0.5	20	45			80	70	101	228	43	170	M16				
EK77	165	40	200	202	202	Φ17.5	Φ50k6	10	14	206	200	27	263	55			Φ200	
	180	180-0.5	112-0.5	31.3	55			100	53.5	123.5	288	55	208	M16				
EK87	180	55	233	257	257	Φ22	Φ60m6	5	18	240	230	32	305	75			Φ250	
	180	212-0.5	132-0.5	25.9	70			120	110	150	340	67	260	M20				
EK97	240	75	295	277	277	Φ26	Φ70m6	7.5	20	291	290	36	372	60			Φ300	
	240	265-1	160-0.5	32.3	75			140	125	174.5	171	41.7	82	294	M20			
EK107	270	95	360	341	341	Φ33	Φ90m6	5	25	347	340	40	448	100			Φ350	
	280	315-1	200-0.5	52	95			170	160	95	212	503	98	380	M24			
EK127	330	115	420	390	390	Φ39	Φ110m6	15	28	418	400	45	526	100			Φ450	
	350	375-1	225-0.5	53	110			210	180	116	253	592	111	440	M24			
EK157	420	140	500	426	426	Φ39	Φ120m6	5	32	457	500	50	634	100			Φ550	
	380	450-1	280-1	71.7	130			210	200	127	247	705	130	480	M24			

见附录A-2

Please see appendix A-2

注：电机需方配或配特殊电机时需加连接法兰（见附录D）

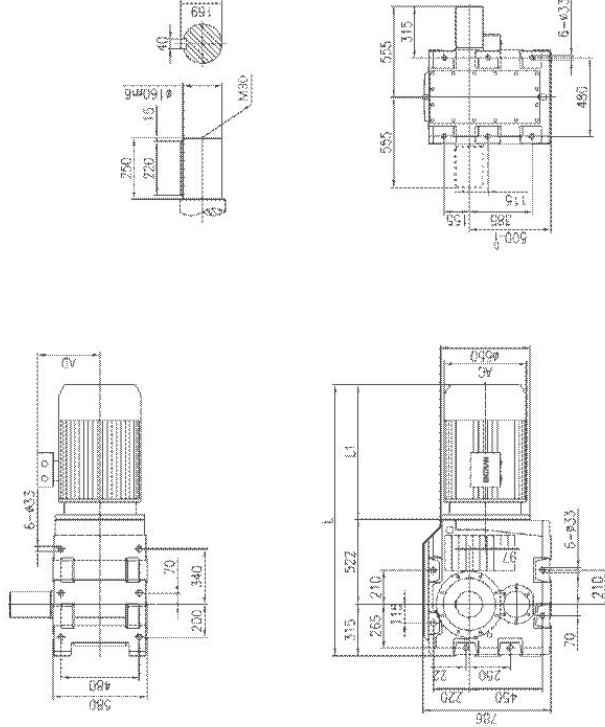
Note: When equipping the user's motor or the special one, the flange is required to be connected. (Please see appendix D)

EK167

安装结构尺寸

EK167

Mounting Dimensional Description



电机型号 Motor frame size	160M	180M	200	225M	250M	280M	315L	315M	315S	315L
AC	330	380	420	470	510	580	645	645	645	645
AD	255	280	305	335	370	410	530	530	530	576
L1	505	560	630	675	770	845	895	1100	1130	1310
L	1342	1397	1487	1542	1607	1682	1732	1937	1967	2147

注：电机需方配或配特殊电机时需加联接法兰（见附录D）

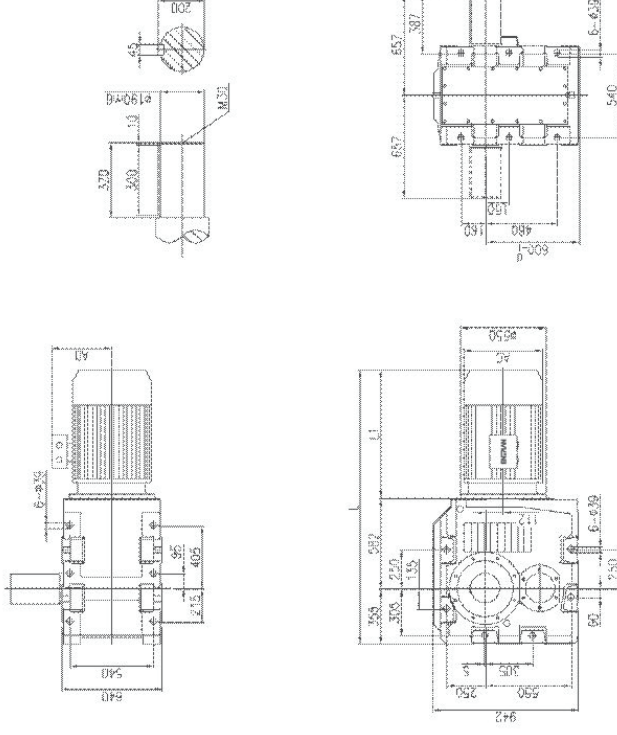
Note: When equipping the user's motor or the special one, the flange is required to be connected. (Please see appendix D)

EK187

安装结构尺寸

EK187

Mounting Dimensional Description



电机型号 Motor frame size	160L	180L	200	225S	250M	280S	315M	315S	315L
AC	330	380	420	470	510	580	645	645	645
AD	255	280	305	335	370	410	530	530	576
L1	560	590	630	675	770	845	895	1100	1130
L	1497	1527	1567	1612	1707	1782	1832	2037	2247

注：电机需方配或配特殊电机时需加联接法兰（见附录D）

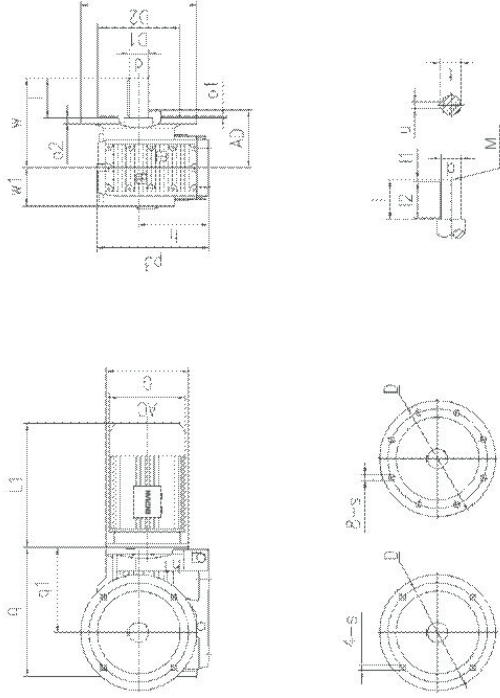
Note: When equipping the user's motor or the special one, the flange is required to be connected. (Please see appendix D)

EKF37-157

安装结构尺寸

EKF37-157

Mounting Dimensional Description



EKF37-87

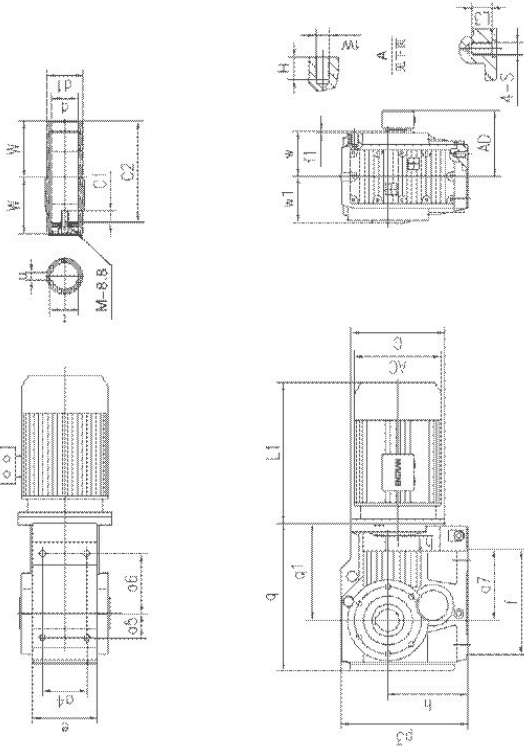
EKF97-157

EKA37-107

安装结构尺寸

EKA37-107

Mounting Dimensional Description



规格 Specification	s oz	q w	q1 w1	h1 l	D li	D1 l2	D2 d	h M	Ps u	G t	电机尺寸 Motor Size	
											AC	AD
EKF37	Φ9 10	210 134	139 57.5	8.5 50	Φ130 5	Φ110/6 40	Φ160 Φ25K6	100-0.5 M10	164 8	3.5 28	Φ 120	
EKF47	Φ11 10	243 160	166 72	7.2 60	Φ165 3.5 50	Φ130/6 M10	Φ200 Φ30K6	112-0.5 M10	185 8	3.5 33	Φ 160	
EKF57	Φ13.5 15	269 176.5	173 80	13.1 70	Φ215 7	Φ180/6 56	Φ250 Φ35K6	132-0.5 M12	215 10	4 38	Φ 160	
EKF67	Φ13.5 15	274 193	179 86.5	17.9 80	Φ215 5 70	Φ180/6 M16	Φ250 Φ40K6	140-0.5 M16	226 12	4 43	Φ 160	
EKF77	Φ13.5 16	312 242	202 101	31.3 100	Φ285 10	Φ230/6 80	Φ300 Φ50K6	180-0.5 M16	286 14	4 53.5	Φ 200	见附录A-2
EKF87	Φ17.5 18	390 270	257 116	25.9 120	Φ300 5	Φ250/6 110	Φ350 Φ60m6	212-0.5 M20	338 18	5 64	Φ 250	Please see appendix A-2
EKF97	Φ17.5 22	435 332	277 140	32.3 140	Φ400 7.5	Φ350/6 125	Φ450 Φ70m6	265-1 M20	414 20	5 74.5	Φ 300	
EKF107	Φ17.5 22	537 396	341 175	53 170	Φ500 5	Φ450/6 160	Φ550 Φ90m6	315-1 M24	500 25	5 95	Φ 350	
EKF127	Φ17.5 25	615 466	390 203	53 210	Φ500 15	Φ450/6 180	Φ550 Φ110m6	375-1 M24	592 28	5 116	Φ 450	
EKF157	Φ22 28	706 520	426 253	71.7 210	Φ600 5	Φ550/6 200	Φ660 Φ120m6	450-1 M24	705 32	6 127	Φ 550	

注：电机端方配特殊电机时需加联接法兰（见附录D）

Note: When equipping the user's motor or the special one, the flange is required to be connected.(Please see appendix D)

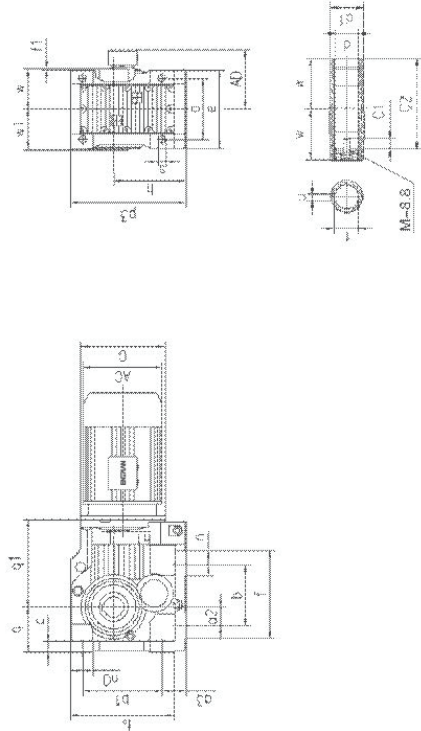
规格 Specification	s q	l q1	e w	a d	a1 d1	a2 d2	a3 t	a4 u	f f1	h H	h1 M1	Ps c1	G W1	电机尺寸 Motor Size	
														AC	AD
EKA37	M10 210	20 139	100 60	60 Φ30H7	35 Φ45	82 33.3	97 8	8.5 M8	147 2.3	100-0.5 12	8.5 12	164 17	Φ120 63		
EKA47	M10 243	20 166	110 75	70 Φ35H7	40 Φ50	100 38.3	115 10	7.2 M8	170 3	112-0.5 12	7.2 12	185 22	Φ160 78		
EKA57	M12 269	25 173	122 83	88 Φ40H7	47 Φ55	105 43.3	120 12	13.1 M12	182 3	132-0.5 20	13.1 20	215 29	Φ160 86		见附录A-2
EKA67	M12 274	25 179	130 90	88 Φ40H7	42 Φ55	110 43.3	125 12	14.0-0.5 M12	182 3.5	140-0.5 20	14.0-0.5 20	226 29	Φ160 94		
EKA77	M16 312	32 202	156 105	102 Φ50H7	48 Φ70	122 53.8	139 14	180-0.5 M16	204 4	180-0.5 20	180-0.5 20	286 32	Φ200 108		
EKA87	M16 390	32 257	170 120	118 Φ60H7	65 Φ85	160 64.4	190 18	212-0.5 M16	280 4	212-0.5 26	212-0.5 26	338 36	Φ250 123		
EKA97	M20 435	36 266	226 150	160 Φ70H7	83 Φ95	165 74.9	190 20	265-1 M20	298 4	265-1 26	265-1 26	414 34	Φ300 153		
EKA107	M24 537	44 341	266 175	190 Φ90H7	100 Φ118	190 95.4	230 25	315-1 M24	370 2.5	315-1 2.5	315-1 2.5	500 40	Φ350 178		

注：电机端方配特殊电机时需加联接法兰（见附录D）

Note: When equipping the user's motor or the special one, the flange is required to be connected.(Please see appendix D)

EKA127-157
安装结构尺寸

EKA127-157
Mounting Dimensional Description

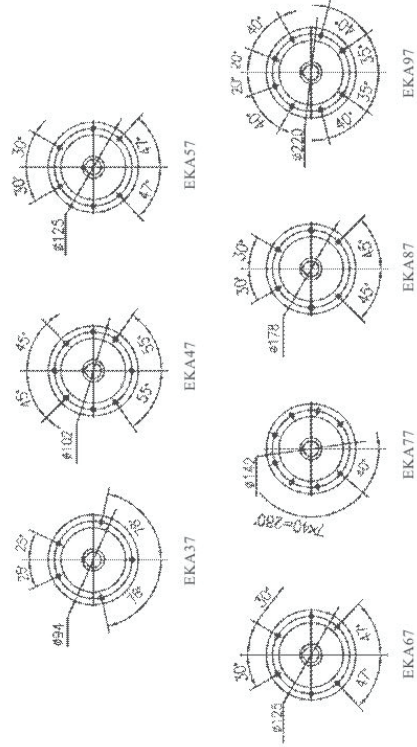


规格 Specification	电机尺寸 Motor Size																
	s	pa	h	a	e	f	w	d	d1	t	u	c1	c2	G	W1	AC	AD
EKA127	Φ39	592	375 ₋₁	330	400	2.5	205	Φ100H7	Φ135	106.4	28	440	373	Φ450	208	见附录A-2	
EKA157	Φ39	705	450 ₋₁	420	500	7	250	Φ120H7	Φ155	127.4	32	480	460	Φ550	253	Please see appendix A-2	

注：电机需方配特殊电机时需加联接法兰（见附录D）

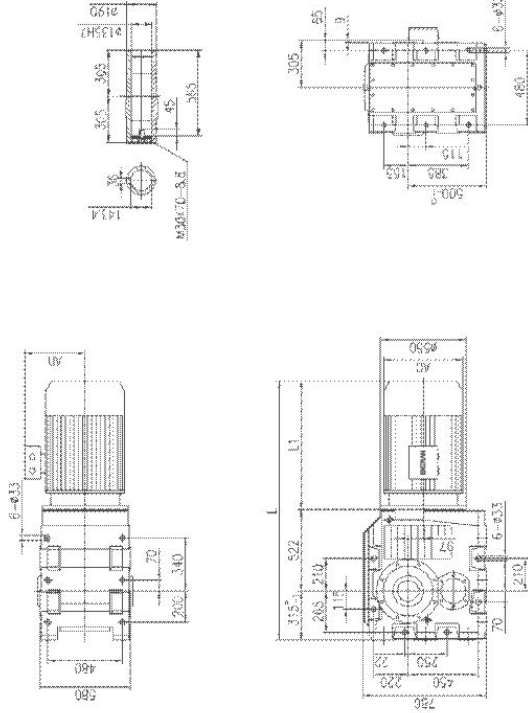
Note: When equipping the user's motor or the special one, the flange is required to connected.(Please see appendix D)

A向法兰安装结构尺寸 (Fig.A Mounting Dimension)



EKA167
安装结构尺寸

EKA167
Mounting Dimensional Description



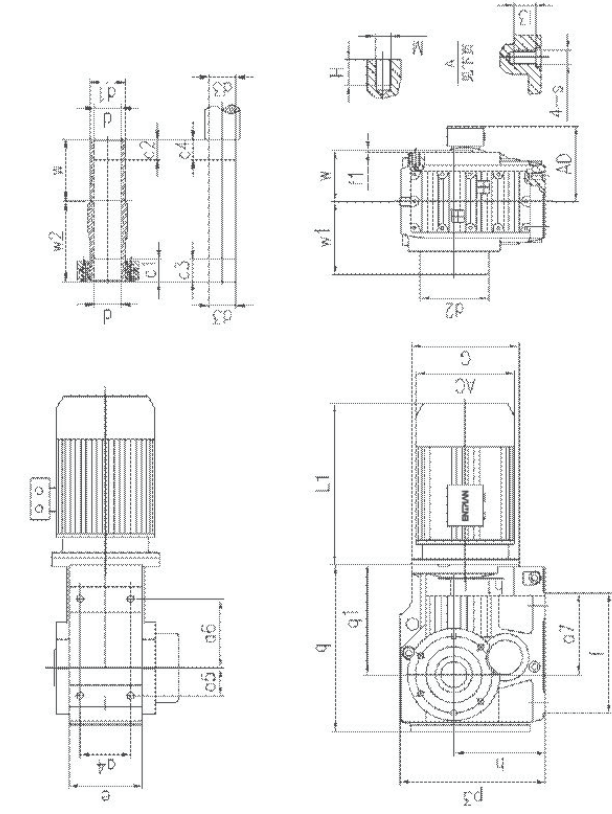
电机型号 Motor fram size	160M	160L	180M	180L	200	225M	250M	280S	280M	315S	315M	315L
AC	330	330	380	380	420	470	510	580	580	645	645	645
AD	255	255	280	280	305	335	370	410	410	530	530	576
L1	505	560	590	630	660	705	770	845	895	1100	1130	1310
L	1342	1397	1427	1467	1497	1542	1607	1682	1732	1937	1967	2147

注：电机需方配或配特殊电机时需加联接法兰（见附录D）

Note: When equipping the user's motor or the special one, the flange is required to connected.(Please see appendix D)

EKH37-107
安装结构尺寸

EKH37-107
Mounting Dimensional Description



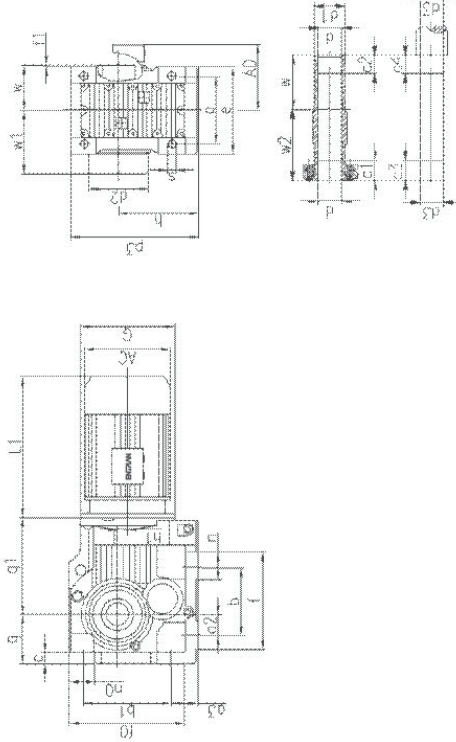
规格 Specification	q	q1	h	h1	e	p	s	a	a6	a7	f	f1	w	w1	w2	G	d	d1	d2	c1	c2	c3	c4	M	H	电机尺寸 Motor Size	
																										AC	L1
EKH37	210	100-0.5	139	8.5	164	35	97	2.5	0.45	0.30h6	95	102	20	25	20	12	0.75	0.45	0.30h7	31	36	36	36	M10	M8		
EKH47	243	112-0.5	166	7.2	185	40	115	3	0.50	0.35h6	110	120	20	25	20	12	0.83	0.50	0.35h7	32	37	37	37	M10	M8		
EKH57	269	132-0.5	173	13.1	215	47	120	3	0.55	0.40h6	117	122	20	25	20	12	0.93	0.55	0.40h7	26	31	31	31	M12	M12		
EKH67	274	140-0.5	179	20	226	42	125	3.5	0.55	0.40h6	126	130	20	25	20	12	0.93	0.55	0.40h7	38	43	43	43	M12	M12		
EKH77	312	180-0.5	202	31.3	286	48	139	4	0.70	0.50h6	146	154	20	25	20	12	1.14	0.70	0.50h7	36	41	41	41	M16	M12		
EKH87	390	212-0.5	257	25.9	338	65	190	4	0.85	0.65h6	170	200	20	25	20	12	1.59	0.85	0.65h7	41	46	46	46	M16	M16		
EKH97	435	265-1	277	32.3	414	83	190	4	0.95	0.75h6	206	226	165	195	195	55	1.74	0.95	0.75h7	55	60	60	60	M20	M16		
EKH107	537	315-1	341	52	500	100	230	2.5	1.18	0.95h6	245	266	190	230	230	65	2.00	1.18	0.95h7	75	80	80	80	M24	/		

注：电机需方配或配特殊电机时需加连接法兰（见附录D）

Note: When equipping the user's motor or the special one, the flange is required to be connected.(Please see appendix D)

EKH127-157
安装结构尺寸

EKH127-157
Mounting Dimensional Description

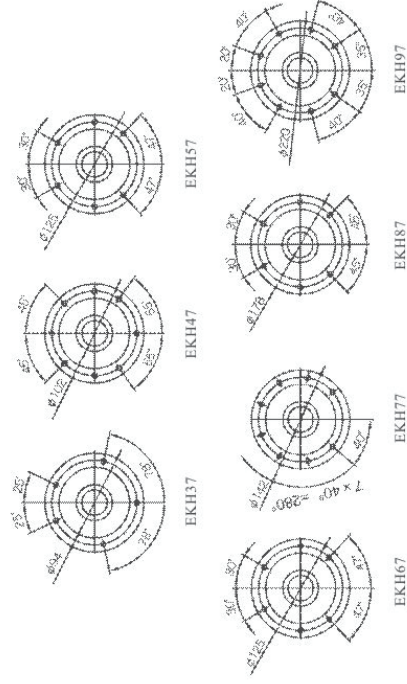


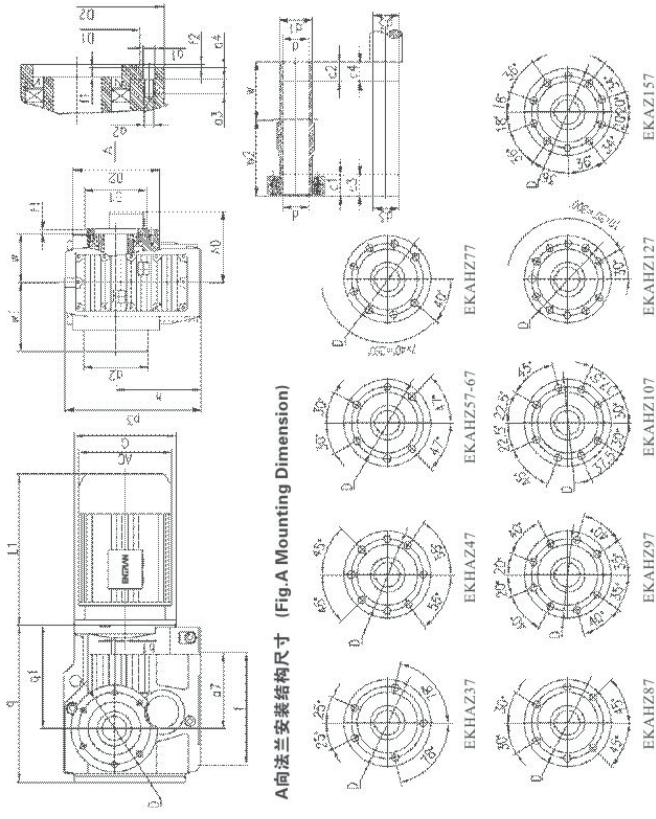
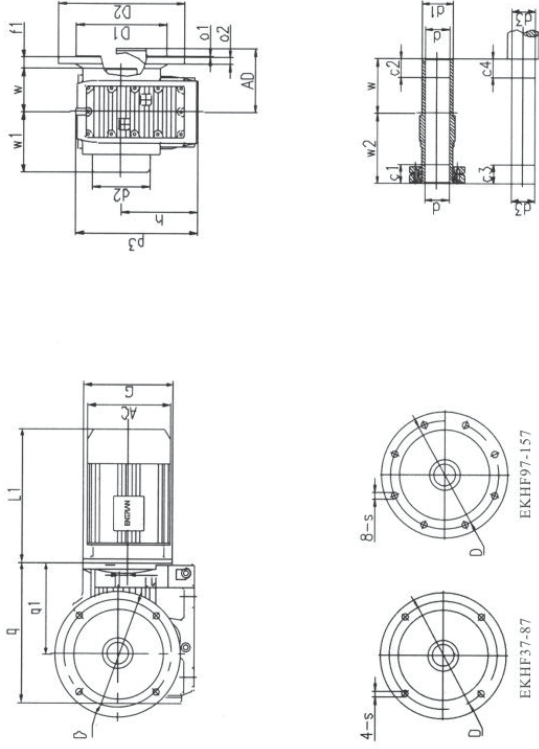
规格 Specification	q	q1	c	n0	f0	n	f	a2	h	a	w	w1	w2	c1	c2	c3	c4	d2	d1	d	h1	G	电机尺寸 Motor Size		
																							AC	L1	
EKH127	380	45	111	526	440	115	375-1	330	205	280	85	95	280	85	95	95	95	Φ233	Φ106H7	53					
EKH157	426	50	130	634	480	140	450-1	420	250	330	90	100	296	2.5	70	80	80	Φ135	Φ105h6	Φ450					
	280-1	Φ39	500	130	100	380	705	500	370	/	80	90	/	80	90	90	90	Φ315	Φ126H7	71.7					

注：电机需方配或配特殊电机时需加连接法兰（见附录D）

Note: When equipping the user's motor or the special one, the flange is required to be connected.(Please see appendix D)

A向法兰安装结构尺寸 (Fig.A Mounting Dimension)





A向法兰安装结构尺寸 (Fig.A Mounting Dimension)

规格 Specification	q	h _{h1}	h _{h2}	o ₁	o ₂	s	f ₁	w ₁	w	w ₂	c ₁	c ₂	c ₃	c ₄	D ₁	D ₂	d ₁	d ₂	d	P ₂	电机尺寸 Motor Size		
																					G	AC	AD
EKFHF37	210	100 ^{-0.5}	3.5	0.9	8.5	10	24	60	31	36	20	25	110	130	160	160	160	0.45	0.30H7	164	164	164	见附录A-2
EKFHF47	243	112 ^{-0.5}	3.5	0.11	110	102	20	75	32	37	25	25	130	160	160	160	160	0.50	0.35H7	185	185	185	见附录A-2
EKFHF57	269	132 ^{-0.5}	4	0.13.5	117	112	20	83	26	31	25	25	180	160	160	160	160	0.55	0.40H7	215	215	215	见附录A-2
EKFHF67	274	140 ^{-0.5}	4	0.13.5	126	118	20	90	38	43	25	25	180	160	160	160	160	0.55	0.40H7	226	226	226	见附录A-2
EKFHF77	312	180 ^{-0.5}	4	0.13.5	146	136	30	105	36	41	35	35	230	160	160	160	160	0.70	0.50H7	286	286	286	见附录A-2
EKFHF87	390	212 ^{-0.5}	5	0.17.5	170	161	40	120	41	46	45	45	250	160	160	160	160	0.85	0.65H7	338	338	338	见附录A-2
EKFHF97	435	265-1	5	0.17.5	206	195	50	150	55	60	55	55	350	160	160	160	160	0.95	0.75H7	414	414	414	见附录A-2
EKFHF107	537	315-1	5	0.17.5	245	230	60	175	65	70	60	60	400	160	160	160	160	1.18	0.95H7	500	500	500	见附录A-2
EKFHF127	615	375-1	5	0.17.5	296	280	70	205	85	90	75	75	400	160	160	160	160	1.35	1.05H7	592	592	592	见附录A-2
EKFHF157	706	450-1	6	0.22	370	330	80	250	90	100	80	80	500	160	160	160	160	1.55	1.25H7	705	705	705	见附录A-2
	426	71.7	28	60	250	90	100	250	90	100	80	80	660	160	160	160	160	1.55	1.25H6	0.550	0.550	0.550	见附录A-2

注：电机需方配或配特殊电机时需加联接法兰（见附录D）

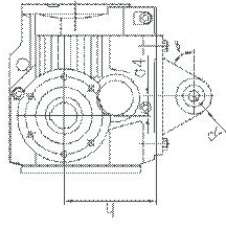
Note: When equipping the user's motor or the special one, the flange is required to connected. (Please see appendix D)

规格 Specification	q	h _{h1}	h _{h2}	o ₁	o ₂	s	f ₁	w ₁	w	w ₂	c ₁	c ₂	c ₃	c ₄	D ₁	D ₂	d ₁	d ₂	d	G	P ₂	电机尺寸 Motor Size		
																						AC	AD	L1
EKHZ37	210	100 ^{-0.5}	3.5	0.9	8.5	10	24	60	31	36	20	25	110	130	160	160	160	0.45	0.30H7	164	164	164	见附录A-2	
EKHZ47	243	112 ^{-0.5}	3.5	0.11	110	102	20	75	32	37	25	25	130	160	160	160	160	0.50	0.35H7	185	185	185	见附录A-2	
EKHZ57	269	132 ^{-0.5}	4	0.13.5	117	112	20	83	26	31	25	25	180	160	160	160	160	0.55	0.40H7	215	215	215	见附录A-2	
EKHZ67	274	140 ^{-0.5}	4	0.13.5	126	118	20	90	38	43	25	25	180	160	160	160	160	0.55	0.40H7	226	226	226	见附录A-2	
EKHZ77	312	180 ^{-0.5}	4	0.13.5	146	136	30	105	36	41	35	35	230	160	160	160	160	0.70	0.50H7	286	286	286	见附录A-2	
EKHZ87	390	212 ^{-0.5}	5	0.17.5	170	161	40	120	41	46	45	45	250	160	160	160	160	0.85	0.65H7	338	338	338	见附录A-2	
EKHZ97	435	265-1	5	0.17.5	206	195	50	150	55	60	55	55	350	160	160	160	160	0.95	0.75H7	414	414	414	见附录A-2	
EKHZ107	537	315-1	5	0.17.5	245	230	60	175	65	70	60	60	400	160	160	160	160	1.18	0.95H7	500	500	500	见附录A-2	
EKHZ127	615	375-1	5	0.17.5	296	280	70	205	85	90	75	75	400	160	160	160	160	1.35	1.05H7	592	592	592	见附录A-2	
EKHZ157	706	450-1	6	0.22	370	330	80	250	90	100	80	80	500	160	160	160	160	1.55	1.25H7	705	705	705	见附录A-2	
	426	71.7	28	60	250	90	100	250	90	100	80	80	660	160	160	160	160	1.55	1.25H6	0.550	0.550	0.550	见附录A-2	

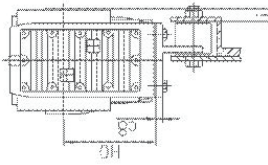
注：电机需方配或配特殊电机时需加联接法兰（见附录D）

Note: When equipping the user's motor or the special one, the flange is required to connected. (Please see appendix D)

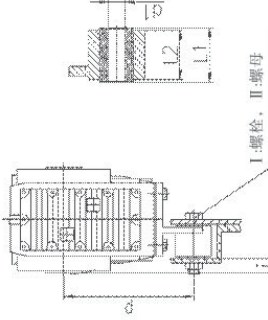
EKAT37-157
安装结构尺寸



EKAT37-107

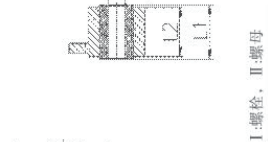


C面安装

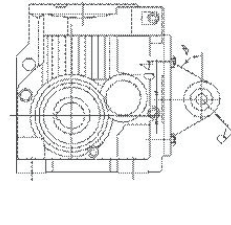


D面安装

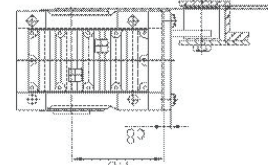
EKAT37-157
Mounting Dimensional Description



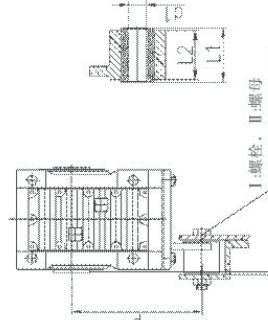
I: 螺栓, II: 螺母



EKAT127-157

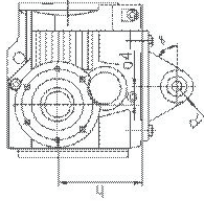


C面安装

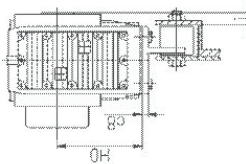


D面安装

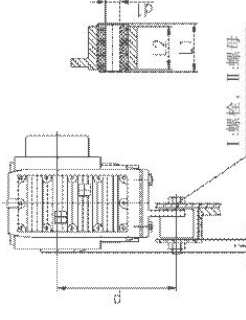
EKHT37-157
安装结构尺寸



EKHT37-107

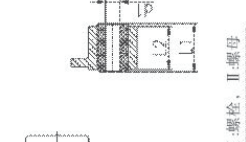


C面安装

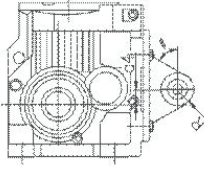


D面安装

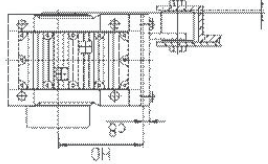
EKHT37-157
Mounting Dimensional Description



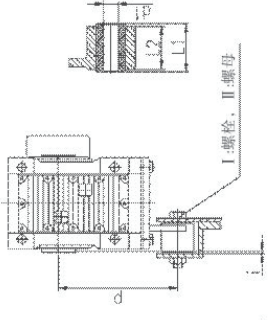
I: 螺栓, II: 螺母



EKHT127-157

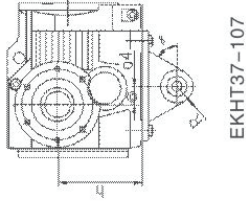


C面安装



D面安装

EKHT37-157
Mounting Dimensional Description



I: 螺栓, II: 螺母

机型号 Type Size	α_4	β	C_2	i	P	R	H_0	d_1	$L_{1-2.5}$	L_2
EKAT37	23.5	60°	10	20	140 ^{+0.2} _{-0.7}	22.5	100 ^{-0.5}	10.4 ^{+0.1} _{-0.1}	36	31
EKAT47	30	55°	12	20	160 ^{+0.2} _{-0.7}	22.5	112 ^{-0.5}	10.4 ^{+0.1} _{-0.1}	36	31
EKAT57	40	55°	13	18	192 ^{+0.2} _{-0.7}	29	132 ^{-0.5}	16.4 ^{+0.08} _{-0.08}	60	54
EKAT67	45	55°	13	25	200 ^{+0.2} _{-0.7}	29	140 ^{-0.5}	16.4 ^{+0.08} _{-0.08}	60	54
EKAT77	52.5	60°	14	25	250 ^{+0.2} _{-0.7}	29	180 ^{-0.5}	16.4 ^{+0.08} _{-0.08}	60	54
EKAT87	60	60°	16	30	300 ^{+0.2} _{-0.7}	41	212 ^{-0.5}	25 ^{+0.08} _{-0.08}	80	72
EKAT97	70	50°	17	40	350 ^{+0.2} _{-1.2}	41	265 ⁻¹	25 ^{+0.08} _{-0.08}	100	92
EKAT107	74	55°	20	45	450 ^{+1.5} _{-1.5}	41	315 ⁻¹	25 ^{+0.08} _{-0.08}	100	92
EKAT127	60	65°	45	7	550 ^{+1.5} _{-1.5}	70	375 ⁻¹	40 ^{+0.08} _{-0.08}	126	110
EKAT157	50	65°	45	2	700 ^{+1.5} _{-1.5}	70	450 ⁻¹	40 ^{+0.08} _{-0.08}	126	110

其它尺寸请按照EKA型。

注: I: 螺栓 II: 螺母用户自配。

For other dimensions, see the type EKA.

Note: bolts I and nuts II are prepared by customers.

机型号 Type Size	α_4	β	C_2	i	P	R	H_0	d_1	$L_{1-2.5}$	L_2
EKHT37	23.5	60°	10	20	140 ^{+0.2} _{-0.7}	22.5	100 ^{-0.5}	10.4 ^{+0.1} _{-0.1}	36	31
EKHT47	30	55°	12	20	160 ^{+0.2} _{-0.7}	22.5	112 ^{-0.5}	10.4 ^{+0.1} _{-0.1}	36	31
EKHT57	40	55°	13	18	192 ^{+0.2} _{-0.7}	29	132 ^{-0.5}	16.4 ^{+0.08} _{-0.08}	60	54
EKHT67	45	55°	13	25	200 ^{+0.2} _{-0.7}	29	140 ^{-0.5}	16.4 ^{+0.08} _{-0.08}	60	54
EKHT77	52.5	60°	14	25	250 ^{+0.2} _{-0.7}	29	180 ^{-0.5}	16.4 ^{+0.08} _{-0.08}	60	54
EKHT87	60	60°	16	30	300 ^{+0.2} _{-0.7}	41	212 ^{-0.5}	25 ^{+0.08} _{-0.08}	80	72
EKHT97	70	50°	17	40	350 ^{+0.2} _{-1.2}	41	265 ⁻¹	25 ^{+0.08} _{-0.08}	100	92
EKHT107	74	55°	20	45	450 ^{+1.5} _{-1.5}	41	315 ⁻¹	25 ^{+0.08} _{-0.08}	100	92
EKHT127	60	65°	45	7	550 ^{+1.5} _{-1.5}	70	375 ⁻¹	40 ^{+0.08} _{-0.08}	126	110
EKHT157	50	65°	45	2	700 ^{+1.5} _{-1.5}	70	450 ⁻¹	40 ^{+0.08} _{-0.08}	126	110

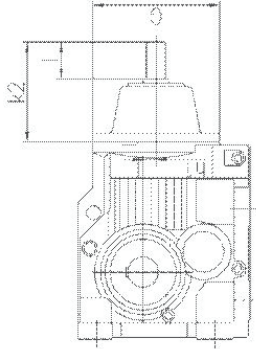
其它尺寸请按照EKH型。

注: I: 螺栓 II: 螺母用户自配。

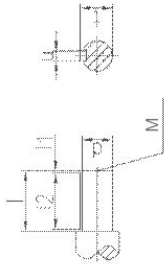
For other dimensions, see the type EKH.

Note: bolts I and nuts II are prepared by customers.

EK...SZ37-187AD1-8
安装结构尺寸



EK...SZ37-187AD1-8
Mounting Dimensional Description



EK...SZ37-187AD1-8 安装结构尺寸 (EK...SZ37-187AD1-8 Mounting Dimensional Description)

机型号 Type Size	d	G	k ₂	l	M	l ₁	b	t	u	h ₁	
EK...SZ37	AD1	16k6	Φ120	115	40	M5	4	32	18	5	8.5
	AD2	19k6	Φ120	115	40	M6	4	32	21.5	6	8.5
	AD3	19k6	Φ160	120	40	M6	4	32	21.5	6	7.2
EK...SZ47	AD3	24k6	Φ160	130	50	M8	5	40	27	8	7.2
	AD2	19k6	Φ160	120	40	M6	4	32	21.5	6	13.1/20
EK...SZ77	AD3	24k6	Φ160	130	50	M8	5	40	27	8	13.1/20
	AD2	19k6	Φ200	130	40	M6	4	32	21.5	6	31.3
	AD3	24k6	Φ200	140	50	M8	5	40	27	8	31.3
EK...SZ87	AD4	38k6	Φ200	140	50	M12	5	40	41	10	31.3
	AD2	19k6	Φ250	160	40	M6	4	32	21.5	6	25.9
	AD3	28k6	Φ250	180	60	M10	5	50	31	8	25.9
	AD4	38k6	Φ250	200	80	M12	5	70	41	10	25.9
EK...SZ97	AD5	42k6	Φ250	200	80	M16	5	70	45	12	25.9
	AD3	28k6	Φ300	200	60	M10	5	50	31	8	32.3
	AD4	38k6	Φ300	220	80	M12	5	70	41	10	32.3
	AD5	42k6	Φ300	220	80	M16	5	70	45	12	32.3
EK...SZ107	AD6	48k6	Φ300	220	80	M16	5	70	51.5	14	32.3
	AD3	28k6	Φ350	220	60	M10	5	50	31	8	52
	AD4	38k6	Φ350	240	80	M12	5	70	41	10	52
	AD5	42k6	Φ350	270	110	M16	10	90	45	12	52
EK...SZ127	AD6	48k6	Φ350	270	110	M16	10	90	51.5	14	52
	AD4	38k6	Φ450	267	80	M12	5	70	41	10	53
	AD5	42k6	Φ450	297	110	M16	10	90	45	12	53
	AD6	48k6	Φ450	297	110	M16	10	90	51.5	14	53
EK...SZ157/167/187	AD7	55m6	Φ450	297	110	M20	10	90	59	16	53
	AD8	70m6	Φ450	297	110	M20	10	90	74.5	20	53
	AD5	42k6	Φ550	344	110	M16	10	90	45	12	71.7/97/112
	AD6	48k6	Φ550	344	110	M16	10	90	51.5	14	71.7/97/112
EK...SZ175/167/187	AD7	55m6	Φ550	344	110	M20	10	90	59	16	71.7/97/112
	AD8	70m6	Φ550	374	140	M20	15	110	74.5	20	71.7/97/112

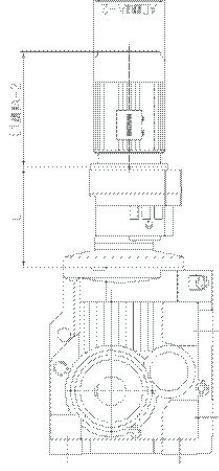
其它尺寸请参照EK型。

注：EK/EKAEKAB/EKAF/EKAZ/EKH/EKHP/EKHZ也可采用双轴型，并分别记为EKFSZ...AD...、EKASZ...AD...、EKABSZ...AD...、EKAFSZ...AD...、EKASZ...AD...和EKHZSZ...AD...。

For other dimensions, see the type EK.

Note: double shafts type is also available for type EK/EKAEKAB/EKAF/EKAZ/EKH/EKHP/EKHZ, and these double shafts types are respectively named type EKHSZ...AD...、EKASZ...AD...、EKABSZ...AD...、EKAFSZ...AD...、EKAZ...AD...、EKHSZ...AD...and EKHZSZ...AD...。

EK...R...
安装结构尺寸



EK...R...
Mounting Dimensional Description

机型号 Type Size	电机座号 Motor frame size	L
EK...37R17	63	131
	71	
	80	
	90	
	100	
EK...47R37 EK...67R37	63	157
	71	
	80	
	132	
	160	
EK...57R37	63	157
	71	
	80	
	90	
	100	
EK...77R37	63	157
	71	
	80	
	90	
	100	
EK...87R37	63	187
	71	
	80	
	90	
	100	
EK...97R37	63	187
	71	
	80	
	90	
	100	
EK...127R77	63	220
	71	
	80	
	132	
	160	
EK...127R87	63	272
	71	
	80	
	90	
	100	
EK...157R97 EK...167R97 EK...187R97	63	320
	71	
	80	
	90	
	100	
EK...157R107 EK...167R107 EK...187R107	63	355
	71	
	80	
	90	
	100	

注：EKA/EKAEKAF/EKAF/EKAZ/EKH/EKHP/EKHZ均可采用串联组合机型

Note: Combined type is also available for type EKA/EKAEKAF/EKAF/EKAZ/EKH/EKHP/EKHZ.

注：电机需方配或配特殊电机时需加联接法兰（见附录D）

Note: When equipping the user's motor or the special one, the flange is required to be connected. (Please see appendix D)