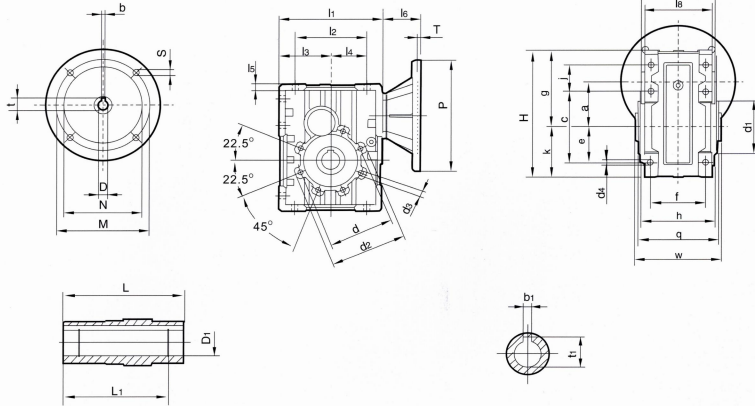
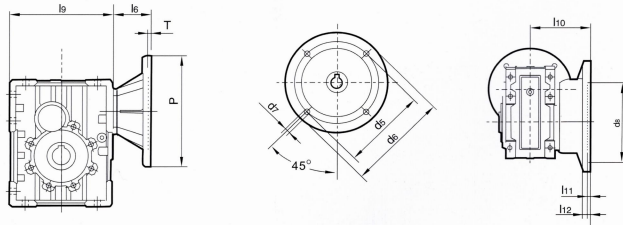


外形尺寸/Outline Dimension

E-KB..B



E-KB..C



| IEC | D _{fl} | b | t | P | M | N | S | T |
|------------|-----------------|----|------|-----|-----|-----|------|-----|
| 63B5 | 11 | 4 | 12.8 | 140 | 115 | 95 | 9 | 4 |
| 71B5 | 14 | 5 | 16.3 | 160 | 130 | 110 | 9 | 4 |
| 71B14 | 14 | 5 | 16.3 | 105 | 85 | 70 | 7 | 4 |
| 80B5 | 19 | 6 | 21.8 | 200 | 165 | 130 | 11 | 4 |
| 80B14 | 19 | 6 | 21.8 | 120 | 100 | 80 | 7 | 4 |
| 90B5 | 24 | 8 | 27.3 | 200 | 165 | 130 | 11 | 4 |
| 90B14 | 24 | 8 | 27.3 | 140 | 115 | 95 | 9 | 4 |
| 100/112B5 | 28 | 8 | 31.3 | 250 | 215 | 180 | 13.5 | 4.5 |
| 100/112B14 | 28 | 8 | 31.3 | 160 | 130 | 110 | 9 | 4.5 |
| 132B5 | 38 | 10 | 41.3 | 300 | 265 | 230 | 14 | 4.5 |

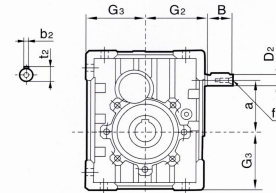
| | 35 | 45 | 55 |
|------------|----|----|----|
| 63B5 | 45 | — | — |
| 71B5 | 52 | 59 | 59 |
| 71B14 | 52 | 79 | 79 |
| 80B5 | 72 | 79 | 79 |
| 80B14 | 72 | 79 | 79 |
| 90B5 | 72 | 79 | 79 |
| 90B14 | 72 | 79 | 79 |
| 100/112B5 | — | 89 | 89 |
| 100/112B14 | — | 89 | 89 |
| 132B5 | — | — | — |

| | | d _s | d _e | d ₇ | d ₈ | h ₁₀ | h ₁₁ | h ₂ |
|-----------|----|----------------|----------------|----------------|----------------|-----------------|-----------------|----------------|
| E-KB35... | FA | 150 | 180 | 11 | 115 | 116 | 5 | 11 |
| | FB | 150 | 180 | 11 | 115 | 86 | 5 | 11 |
| E-KB45... | FA | 165 | 200 | 13.5 | 130 | 111 | 5 | 12 |
| | FB | 165 | 200 | 13.5 | 130 | 85 | 5 | 12 |
| E-KB55... | FA | 176 | 210 | 13.5 | 152 | 151 | 6 | 15 |
| | FB | 176 | 210 | 13.5 | 152 | 110.5 | 6 | 15 |

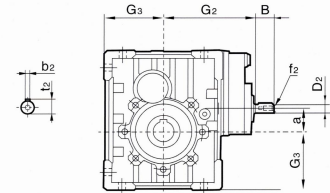
| | H | L | L ₁ | a | c | d | d ₁ | d ₂ | d ₄ | d _s | e | f | g | h | Q | j | k | l ₁ | l ₂ | l ₃ | l ₄ | l ₅ | l ₇ | l ₈ | w | D _{fl} | b ₁ | t ₁ |
|-----------|-------|-----|----------------|------|-----|-----|----------------|----------------|----------------|----------------|----|----|-------|-----|-----|------|------|----------------|----------------|----------------|----------------|----------------|----------------|----------------|-----|-----------------|----------------|----------------|
| E-KB35... | 182.5 | 120 | 105 | 64.5 | 102 | 75 | 90 | 105 | 9 | M8*14 | 51 | 54 | 110 | 76 | 94 | 37.5 | 72.5 | 145 | 102 | 72.5 | 51 | 9 | 120 | 178.5 | 106 | 25 | 8 | 28.3 |
| E-KB45... | 220.5 | 127 | 112 | 74.5 | 126 | 90 | 110 | 126 | 11 | M8*14 | 63 | 62 | 133.5 | 82 | 104 | 46.5 | 87 | 174 | 126 | 86.7 | 46.5 | 9 | 127 | 214 | 117 | 30 | 8 | 33.3 |
| E-KB55... | 224.5 | 140 | 122 | 88 | 144 | 110 | 130 | 150 | 12 | M10*18 | 72 | 74 | 145.5 | 100 | 125 | 45.5 | 100 | 203 | 144 | 100 | 72 | 11 | 140 | 243 | 129 | 35 | 10 | 38.3 |

E-KM..HS 外形尺寸/Outline Dimension

E-KM..B..HS



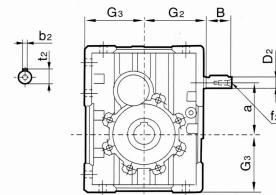
E-KM..C..HS



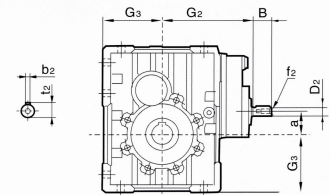
| | B | D _{2j6} | G ₂ | G ₃ | a | b ₂ | f ₂ | t ₂ |
|---------|----|------------------|----------------|----------------|------|----------------|----------------|----------------|
| E-KM25B | 23 | 11 | 65 | 60 | 57 | 4 | — | 12.5 |
| E-KM25C | 23 | 11 | 100 | 60 | 21.5 | 4 | — | 12.5 |
| E-KM35B | 30 | 14 | 76 | 72 | 64.5 | 5 | M6 | 16 |
| E-KM35C | 23 | 11 | 111 | 72 | 29 | 4 | — | 12.5 |
| E-KM45B | 40 | 16 | 91 | 86 | 74.5 | 5 | M6 | 18 |
| E-KM45C | 30 | 14 | 132 | 86 | 30.5 | 5 | M6 | 16 |
| E-KM55B | 40 | 19 | 107 | 103 | 88 | 6 | M6 | 21.5 |
| E-KM55C | 30 | 14 | 148 | 103 | 44 | 5 | M6 | 16 |

E-KB..HS 外形尺寸/Outline Dimension

E-KB..B..HS



E-KB..C..HS



| | B | D _{2j6} | G ₂ | G ₃ | a | b ₂ | f ₂ | t ₂ |
|---------|----|------------------|----------------|----------------|------|----------------|----------------|----------------|
| E-KM35B | 30 | 14 | 76 | 72.5 | 64.5 | 5 | M6 | 16 |
| E-KM35C | 23 | 11 | 111 | 72.5 | 29 | 4 | — | 12.5 |
| E-KM45B | 40 | 16 | 91 | 87 | 74.5 | 5 | M6 | 18 |
| E-KM45C | 30 | 14 | 132 | 87 | 30.5 | 5 | M6 | 16 |
| E-KM55B | 40 | 19 | 107 | 100 | 88 | 6 | M6 | 21.5 |
| E-KM55C | 30 | 14 | 148 | 100 | 44 | 5 | M6 | 16 |

减速器选型表 / GEAR UNIT SELECTION TABLES

E-KM25.. $n_1=1400r/min$ 120Nm

| 减速器型号 Gear units | i 公称 Nominal | i 实际 Actual | n_2 [r/min] | M_{2n} [Nm] | Fr_2 [N] |
|---------------------|--------------------|-------------------|------------------|------------------|---------------|
| 3级 / Stage | | | | | |
| E-KM25C | 300 | 291.79 | 4.8 | 110 | 4100 |
| E-KM25C | 250 | 244.29 | 5.8 | 130 | 4100 |
| E-KM25C | 200 | 200.44 | 7.0 | 130 | 4100 |
| E-KM25C | 150 | 146.67 | 9.6 | 130 | 4000 |
| E-KM25C | 125 | 120.34 | 12 | 130 | 3770 |
| E-KM25C | 100 | 101.04 | 14 | 130 | 3560 |
| E-KM25C | 75 | 74.62 | 19 | 130 | 3220 |
| E-KM25C | 60 | 62.36 | 23 | 120 | 3030 |
| E-KM25C | 50 | 52.36 | 27 | 110 | 2860 |
| 2级 / Stage | | | | | |
| E-KM25B | 60 | 58.36 | 24 | 110 | 2960 |
| E-KM25B | 50 | 48.86 | 29 | 130 | 2790 |
| E-KM25B | 40 | 40.09 | 35 | 130 | 2610 |
| E-KM25B | 30 | 29.33 | 48 | 130 | 2350 |
| E-KM25B | 25 | 24.07 | 59 | 130 | 2200 |
| E-KM25B | 20 | 20.21 | 70 | 130 | 2080 |
| E-KM25B | 15 | 14.92 | 94 | 130 | 1880 |
| E-KM25B | 12.5 | 12.47 | 113 | 130 | 1770 |
| E-KM25B | 10 | 10.47 | 134 | 130 | 1670 |
| E-KM25B | 7.5 | 7.73 | 182 | 100 | 1510 |

E-KM35..,E-KB35.. $n_1=1400r/min$ 200Nm

| 减速器型号 Gear units | i 公称 Nominal | i 实际 Actual | n_2 [r/min] | M_{2n} [Nm] | Fr_2 [N] |
|---------------------|--------------------|-------------------|------------------|------------------|---------------|
| 3级 / Stage | | | | | |
| E-KM35C E-KB35C | 300 | 302.50 | 4.7 | 170 | 4800 |
| E-KM35C E-KB35C | 250 | 243.57 | 5.8 | 200 | 4800 |
| E-KM35C E-KB35C | 200 | 196.43 | 7.2 | 200 | 4800 |
| E-KM35C E-KB35C | 150 | 151.56 | 9.3 | 200 | 4650 |
| E-KM35C E-KB35C | 125 | 122.22 | 12 | 200 | 4330 |
| E-KM35C E-KB35C | 100 | 101.27 | 14 | 200 | 4070 |
| E-KM35C E-KB35C | 75 | 73.33 | 20 | 160 | 3650 |
| E-KM35C E-KB35C | 60 | 63.33 | 23 | 140 | 3480 |
| E-KM35C E-KB35C | 50 | 52.48 | 27 | 120 | 3270 |
| 2级 / Stage | | | | | |
| E-KM35B E-KB35B | 60 | 60.50 | 24 | 170 | 3430 |
| E-KM35B E-KB35B | 50 | 48.71 | 29 | 200 | 3190 |
| E-KM35B E-KB35B | 40 | 39.29 | 36 | 200 | 2970 |
| E-KM35B E-KB35B | 30 | 30.31 | 47 | 200 | 2720 |
| E-KM35B E-KB35B | 25 | 24.44 | 58 | 200 | 2530 |
| E-KM35B E-KB35B | 20 | 20.25 | 70 | 200 | 2380 |
| E-KM35B E-KB35B | 15 | 14.67 | 96 | 190 | 2130 |
| E-KM35B E-KB35B | 12.5 | 12.67 | 111 | 165 | 2030 |
| E-KM35B E-KB35B | 10 | 10.50 | 134 | 135 | 1910 |
| E-KM35B E-KB35B | 7.5 | 7.60 | 185 | 100 | 1710 |

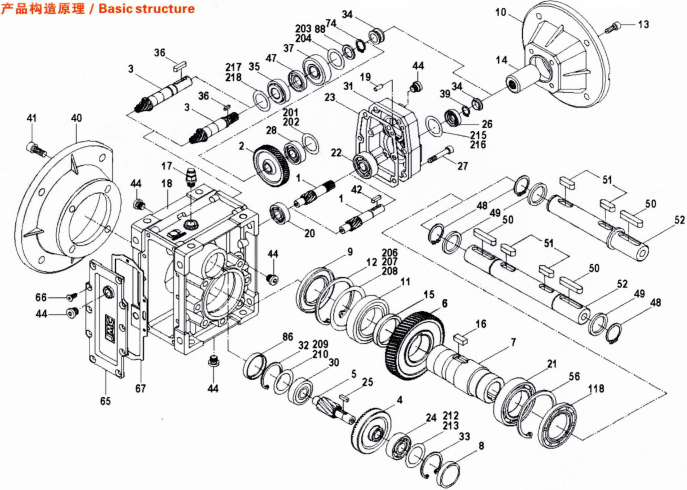
E-KM45..,E-KB45.. $n_1=1400r/min$ 350Nm

| 减速器型号 Gear units | i 公称 Nominal | i 实际 Actual | n_2 [r/min] | M_{2n} [Nm] | Fr_2 [N] |
|---------------------|--------------------|-------------------|------------------|------------------|---------------|
| 3级 / Stage | | | | | |
| E-KM45C E-KB45C | 300 | 297.21 | 4.8 | 350 | 6500 |
| E-KM45C E-KB45C | 250 | 240.89 | 5.9 | 350 | 6500 |
| E-KM45C E-KB45C | 200 | 200.66 | 7.0 | 350 | 6500 |
| E-KM45C E-KB45C | 150 | 151.20 | 9.3 | 350 | 6500 |
| E-KM45C E-KB45C | 125 | 125.95 | 12 | 350 | 5980 |
| E-KM45C E-KB45C | 100 | 99.22 | 15 | 350 | 5520 |
| E-KM45C E-KB45C | 75 | 75.45 | 19 | 350 | 5040 |
| E-KM45C E-KB45C | 60 | 62.43 | 23 | 350 | 4730 |
| E-KM45C E-KB45C | 50 | 49.18 | 29 | 350 | 4370 |
| 2级 / Stage | | | | | |
| E-KM45B E-KB45B | 60 | 59.44 | 24 | 350 | 4660 |
| E-KM45B E-KB45B | 50 | 48.18 | 30 | 350 | 4340 |
| E-KM45B E-KB45B | 40 | 40.13 | 35 | 350 | 4080 |
| E-KM45B E-KB45B | 30 | 30.24 | 47 | 350 | 3720 |
| E-KM45B E-KB45B | 25 | 25.19 | 56 | 350 | 3500 |
| E-KM45B E-KB45B | 20 | 19.84 | 71 | 350 | 3230 |
| E-KM45B E-KB45B | 15 | 15.09 | 93 | 350 | 2950 |
| E-KM45B E-KB45B | 12.5 | 12.49 | 113 | 350 | 2770 |
| E-KM45B E-KB45B | 10 | 9.84 | 143 | 350 | 2550 |
| E-KM45B E-KB45B | 7.5 | 7.48 | 188 | 280 | 2330 |

E-KM55..,E-KB55.. $n_1=1400r/min$ 500Nm

| 减速器型号 Gear units | i 公称 Nominal | i 实际 Actual | n_2 [r/min] | M_{2n} [Nm] | Fr_2 [N] |
|---------------------|--------------------|-------------------|------------------|------------------|---------------|
| 3级 / Stage | | | | | |
| E-KM55C E-KB55C | 300 | 295.18 | 4.8 | 460 | 8300 |
| E-KM55C E-KB55C | 250 | 240.89 | 5.9 | 500 | 8300 |
| E-KM55C E-KB55C | 200 | 200.66 | 7.0 | 500 | 8300 |
| E-KM55C E-KB55C | 150 | 151.20 | 9.3 | 500 | 8050 |
| E-KM55C E-KB55C | 125 | 125.95 | 12 | 500 | 7580 |
| E-KM55C E-KB55C | 100 | 99.22 | 15 | 500 | 7000 |
| E-KM55C E-KB55C | 75 | 75.45 | 19 | 500 | 6390 |
| E-KM55C E-KB55C | 60 | 62.43 | 23 | 450 | 6000 |
| E-KM55C E-KB55C | 50 | 49.18 | 29 | 350 | 5540 |
| 2级 / Stage | | | | | |
| E-KM55B E-KB55B | 60 | 59.04 | 24 | 460 | 5890 |
| E-KM55B E-KB55B | 50 | 48.18 | 30 | 500 | 5500 |
| E-KM55B E-KB55B | 40 | 40.13 | 35 | 500 | 5170 |
| E-KM55B E-KB55B | 30 | 30.24 | 47 | 500 | 4710 |
| E-KM55B E-KB55B | 25 | 25.19 | 56 | 500 | 4430 |
| E-KM55B E-KB55B | 20 | 19.84 | 71 | 500 | 4090 |
| E-KM55B E-KB55B | 15 | 15.09 | 93 | 500 | 3730 |
| E-KM55B E-KB55B | 12.5 | 12.49 | 113 | 460 | 3510 |
| E-KM55B E-KB55B | 10 | 9.84 | 143 | 360 | 3240 |
| E-KM55B E-KB55B | 7.5 | 7.48 | 188 | 280 | 2950 |

产品构造原理 / Basic structure



| | | |
|----------------------------|--------------------------------|--------------------------------|
| 1 主动齿轮 / Pinion | 25 键 / Key | 56 孔用挡圈 / Hole-circlip |
| 2 从动齿轮 / Gear | 26 油封 / Oil seal | 65 齿轮箱盖板 / Gearcase cover |
| 3 主动齿轮轴 / Pinion shaft | 27 内六角螺钉 / Inner hex screw | 66 内六角沉头螺钉 / Hexaon sunk screw |
| 4 从动齿轮 / Gear | 28 轴承 / Bearing | 67 橡胶垫 / Rubber gasket |
| 5 主动齿轮轴 / Pinion shaft | 30 轴承 / Bearing | 74 轴用挡圈 / Shaft-circlip |
| 6 从动齿轮 / Gear | 31 三级齿轮箱 / 3 stage gearcase | 86 油封盖 / Closing cap |
| 7 输出轴 / Hollow shaft | 32 孔用挡圈 / Hole-circlip | 88 垫圈 / Washer |
| 8 油封盖 / Closing cap | 33 孔用挡圈 / Hole-circlip | 118 油封 / Oil seal |
| 9 油封 / Oil seal | 34 橡胶套 / Rubber boot | 201 调整垫片 / Shim ring |
| 10 输入法兰 / Input flange | 35 轴承 / Bearing | 202 调整垫片 / Shim ring |
| 11 轴承 / Bearing | 36 键 / Key | 203 调整垫片 / Shim ring |
| 12 孔用挡圈 / Hole-circlip | 37 轴承 / Bearing | 204 调整垫片 / Shim ring |
| 13 内六角螺钉 / Inner hex screw | 39 轴用挡圈 / Shaft-circlip | 206 调整垫片 / Shim ring |
| 14 输入轴 / Input shaft | 40 输出法兰 / Output flange | 207 调整垫片 / Shim ring |
| 15 间隔套 / Spacer | 41 内六角螺钉 / Inner hex screw | 208 调整垫片 / Shim ring |
| 16 键 / Key | 42 键 / Key | 209 调整垫片 / Shim ring |
| 17 排气阀 / Breather valve | 44 油塞 / Oil plug | 210 调整垫片 / Shim ring |
| 18 齿轮箱 / Gearcase | 47 油封 / Oil seal | 212 调整垫片 / Shim ring |
| 19 圆柱销 / Stifte | 48 轴用挡圈 / Shaft-circlip | 213 调整垫片 / Shim ring |
| 20 轴承 / Bearing | 49 垫片 / Gasket | 215 调整垫片 / Shim ring |
| 21 轴承 / Bearing | 50 键 / Key | 216 调整垫片 / Shim ring |
| 22 轴承 / Bearing | 51 键 / Key | 217 调整垫片 / Shim ring |
| 23 密封纸垫片 / Housing gasket | 52 双向输出轴 / Double output shaft | 218 调整垫片 / Shim ring |
| 24 轴承 / Bearing | 53 单向输出轴 / Single output shaft | |